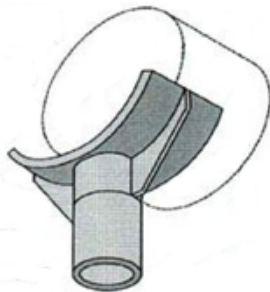
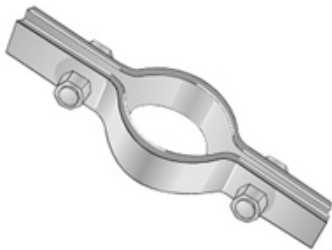


# MASTER DISTRIBUTION

An AFC Industries Company

## Pipe Hangers & Supports



[www.masterd.us](http://www.masterd.us)  
[sales@masterd.us](mailto:sales@masterd.us)

1645 Industrial Pkwy  
Brunswick, OH 44212

Phone: 330-220-3600  
Fax: 330-220-3641

# CONTENTS

<b>TERMS &amp; CONDITIONS</b>	-	<b>PAGE V</b>
<b>BAND HANGERS</b>	-	<b>PAGE 19</b>
<b>BEAM CLAMPS - ADJUSTABLE BEAM</b>	-	<b>PAGE 66</b>
<b>CLAMPS - CENTER LOAD BEAM</b>	-	<b>PAGES 8-10</b>
<b>CLAMPS - CENTER LOAD STEEL BEAM</b>	-	<b>PAGE 49</b>
<b>CLAMPS - UNIVERSAL</b>	-	<b>PAGE 1</b>
<b>BEAM CLAMPS - WIDE THROAT</b>	-	<b>PAGE 2</b>
<b>C-CLAMPS - MALLEABLE</b>	-	<b>PAGE 7</b>
<b>C-CLAMPS - STEEL</b>	-	<b>PAGE 6</b>
<b>C-CLAMPS - SUPER STEEL</b>	-	<b>PAGE 33</b>
<b>CEILING FLANGES</b>	-	<b>PAGE 61</b>
<b>CLAMPS - PURLIN</b>	-	<b>PAGE 4</b>
<b>CLAMPS - RIGHT ANGLE</b>	-	<b>PAGE 70</b>
<b>CLAMPS - RISER</b>	-	<b>PAGES 27-29</b>
<b>CLAMPS - ROD OR INSULATOR</b>	-	<b>PAGE 5</b>
<b>CLEVIS - STEEL</b>	-	<b>PAGE 50</b>
<b>CLEVIS HANGERS</b>	-	<b>PAGES 21-26</b>



# CONTENTS

CLIPS - ONE HOLE	-	PAGE 69
CONCRETE NUT & BOX	-	PAGE 64
CONDUIT HANGERS - J TYPE	-	PAGE 20
CONDUIT SUPPORTS	-	PAGE 71
CPVC STRAPS	-	PAGES 45-47
EXTENSION PIECE	-	PAGE 53
EYE NUTS	-	PAGE 54
EYE SOCKETS	-	PAGE 55
EYE SOCKETS - OFFSET	-	PAGE 65
INSULATION PROTECTION SHIELDS	-	PAGE 36
PIPE ALIGNMENT GUIDES	-	PAGE 3
PIPE CLAMPS - DOUBLE BOLT	-	PAGE 35
PIPE CLAMPS - EXTENDED	-	PAGE 31
PIPE CLAMPS - OFFSET	-	PAGE 30
PIPE CLAMPS - SINGLE BOLT	-	PAGE 34
PIPE COVERING PROTECTION SADDLES	-	PAGES 37-39
PIPE ROLLERS - CAST IRON	-	PAGE 40

# CONTENTS

<b>PIPE SADDLES</b>	-	<b>PAGES 11-13</b>
<b>PIPE STRAPS - SHORT</b>	-	<b>PAGE 32</b>
<b>PIPE STRAPS - TWO HOLE</b>	-	<b>PAGE 67</b>
<b>RETAINING STRAPS</b>	-	<b>PAGES 67-70</b>
<b>ROLLER HANGERS - ADJUSTABLE</b>	-	<b>PAGE 41</b>
<b>ROLLER HANGERS - TWO ROD</b>	-	<b>PAGE 43</b>
<b>ROLLER SUPPORTS - ADJUSTABLE</b>	-	<b>PAGE 44</b>
<b>ROLLER SUPPORTS - CHAIR TYPE</b>	-	<b>PAGE 42</b>
<b>SIDE BEAM BRACKETETS</b>	-	<b>PAGE 57</b>
<b>SIDE BEAM CONNECTORS</b>	-	<b>PAGE 58</b>
<b>SPLIT RING HANGERS</b>	-	<b>PAGES 59-60</b>
<b>SPRINKLER HEAD SPARE CABINETS</b>	-	<b>PAGE 72</b>
<b>SURGE RING HANGERS</b>	-	<b>PAGE 48</b>
<b>SWIVEL RINGS</b>	-	<b>PAGES 14-18</b>
<b>TURNBUCKLES</b>	-	<b>PAGES 51-52</b>
<b>U-BOLTS</b>	-	<b>PAGE 56</b>
<b>VAN HANGERS</b>	-	<b>PAGE 66</b>
<b>WELDED BEAM ATTACHMENTS</b>	-	<b>PAGES 62-63</b>

# TERMS AND CONDITIONS OF SALE

**Terms:** Net 30 Days with approved credit. 1-1/2% per month for past due accounts

**Freight:** F.O.B. Brunswick, OH.

**Prices:** Subject to change without notice. We reserve the right to apply prices prevailing at the time of shipment.

**Minimum Invoice:** \$50.00 plus transportation.

**Packaging:** Unless specified at time of order, all material shipped in original packaging and in carton quantities specified herein.

**Returns:** No materials shall be returned without the permission of Master Distribution, as shown by the issuance of a Returned Goods Authorization number. Returned goods must be in saleable condition and in Master Distribution's original packaging. Freight for returned goods is the responsibility of the customer. Returns subject to a 25% restocking charge.

**Liability:** Returned goods, if accepted by us as defective or incorrect, will be replaced if available. The amount of claim is limited to the invoice amount. All claims must be in writing within 30 days from receipt of material. No claims for labor, alternate purchase, extra freight or other expenditures will be accepted.

**Loss or Damage in Transit:** All products shipped will be carefully examined, counted and packed. Any claim for shortages must be made within 10 days of receipt of shipment. Claims for products damaged or lost in transit should be made to the carrier. Seller will assist buyer in securing adjustment of such claims.

**Misuse:** Seller shall not be liable for damage to property or persons due to improper installation or conditions exceeding the designed capabilities of the material.

**Dimensions and Weights:** All weights and dimensions listed on quotations, acknowledgements, pack lists, invoices, cartons and in this catalog are approximate and not guaranteed.

**Product Design:** Subject to change without notice.

**Special Orders:** Orders covering special or non-standard goods are not subject to cancellation except upon such terms as may be agreed upon at time of order.

Domestically produced parts may be available upon request.

EMAIL:  
SALES@MASTERD.US



PHONE: 330-220-3600  
FAX: 330-220-3641



# TECHNICAL DATA

## PIPE DATA

SCHEDULE 40 & 80				STEEL PIPE DATA							
NOM PIPE SIZE	SCHEDULE NO.	O.D.	WALL THICKNESS	WEIGHT PER FOOT	WEIGHT OF WATER PER FOOT	NOM PIPE SIZE	SCHEDULE NO.	O.D.	THICKNESS WALL THICKNESS	WEIGHT PER FOOT	WEIGHT OF WATER PER FOOT
3/8	40	0.675	0.091	0.567	0.083	5	40	5.563	0.258	14.62	8.66
	80		0.126	0.738	0.061				80		0.375
1/2	40	0.84	0.109	0.85	0.132	6	40	6.625	0.28	18.97	12.51
	80		0.147	1.087	0.101				80		0.432
3/4	40	1.05	0.113	1.13	0.23	8	40	8.625	0.322	28.55	21.6
	80		0.154	1.473	0.186				80		0.5
1	40	1.315	0.133	1.678	0.374	10	40	10.75	0.365	40.48	34.1
	80		0.179	2.171	0.311				80		0.593
1-1/4	40	1.66	0.14	2.272	0.647	12	40	12.75	0.406	53.6	48.5
	80		0.191	2.996	0.555				80		0.687
1-1/2	40	1.9	0.145	2.717	0.882	14	40	14	0.437	63	58.5
	80		0.2	3.631	0.765				80		0.75
2	40	2.375	0.154	3.652	1.452	16	40	16	0.5	83	76.5
	80		0.218	5.022	1.279				80		0.843
2-1/2	40	2.875	0.203	5.79	2.072	18	40	18	0.563	105	97.2
	80		0.276	7.66	1.834				80		0.937
3	40	3.5	0.216	7.57	3.2	20	40	20	0.593	123	120.4
	80		0.3	10.25	2.86				80		1.031
3-1/2	40	4	0.226	9.11	4.28	24	40	24	0.687	171	174.2
	80		0.318	12.51	3.85				80		1.218
4	40	4.5	0.237	10.79	5.51	30	40	30	0.5	158	286
	80		0.337	14.98	4.98				36	80	36

1 Cubic Foot of Water Weighs 62.35 lbs    1 Gallon (U.S.) Weighs 8.335 lbs

### PART NUMBER SYSTEM

5404      1      1      1  
 Model Number    Finish    Inches    Inches

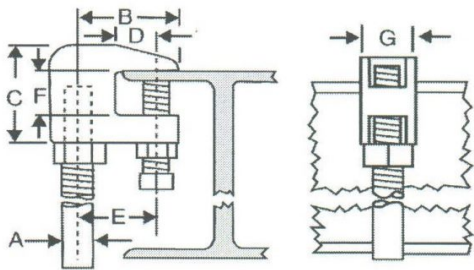
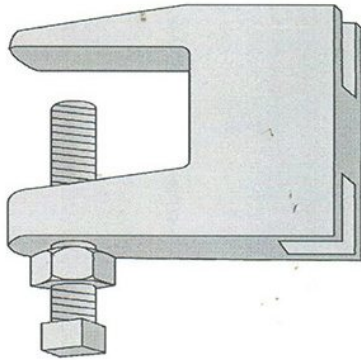
Example: 5404-114  
 or 1-1/2" clevis hanger, black finish

### FINISH

- |                                |                               |
|--------------------------------|-------------------------------|
| 1. Black - Steel               | 6. Yellow Chromate Galvanized |
| 2. Galvanized (Electro-Plated) | 7. Welded                     |
| 3. Copper                      | 8. Stainless Steel            |
| 4. Prime Painted               | 9. Hot Dipped Galvanized      |
| 5. PVC Coated                  |                               |

# BEAM CLAMPS

Click on any Part# for additional product details



Follow maximum recommended set screw torque values per MSS-SP-69

## UNIVERSAL BEAM CLAMPS - 5100 Series

**SIZE RANGE:** 3/8" through 7/8" rod sizes

**MATERIAL:** Malleable iron casting with a hardened cup point set screw and lock nut

**FINISH:** Black

**ORDERING:** Specify rod size; finish; and Part Number

**APPROVALS:** UL Listed for top or bottom Beam. FM Approved for NFPA 13, maximum rated pipe size. Complies with Manufacturers Standardization Society SP-69 (Type 19 & 23)

**FUNCTION:** Recommended for attaching hanger rod to top or bottom flange of a beam or bar joist, where the thickness of a joist or flange does not exceed 3/4 inch. The open back design permits rod adjustment.

**INSTALLATION:** Must install in an upright position

**ALSO AVAILABLE IN:** Electro Galvanized, 304 Stainless Steel, 316 Stainless Steel & Hot Dipped Galvanized

PART #	PHOTO REFERENCE							Appox WT. per 100 pcs	Maximum Recommended Load (lbs.)	Carton Qty
	A	B	C	D	E	F	G			
5103-101	3/8"	1"	1-1/2"	1/2"	1"	3/4"	7/8"	33 lbs	400 lbs	100
5104-101	1/2"	1"	1-1/2"	1/2"	1"	3/4"	7/8"	33 lbs	500 lbs	100
5105-101	5/8"	1-1/2"	1-1/2"	1/2"	1"	3/4"	1"	22 lbs	600 lbs	50
5106-101	3/4"	1-7/8"	1-3/4"	5/8"	1-3/8"	1"	1-1/4"	88 lbs	800 lbs	50
5107-101	7/8"	2"	1-3/4"	5/8"	1-1/2"	1"	1-1/4"	79 lbs	1200 lbs	25

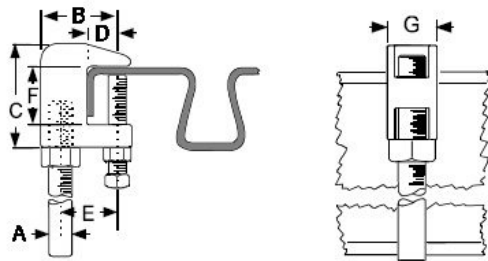
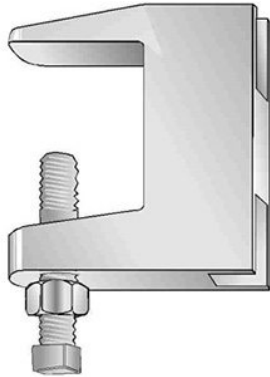
EMAIL:  
SALES@MASTERD.US

**MASTER**  
**DISTRIBUTION**  
An AFC Industries Company

PHONE: 330-220-3600  
FAX: 330-220-3641

# BEAM CLAMPS

Click on any Part# for additional product details



Follow maximum recommended set screw torque values per MSS-SP-69

## WIDE THROAT BEAM CLAMPS - 5110 Series

**SIZE RANGE:** 3/8" through 3/4" rod sizes

**MATERIAL:** Malleable iron casting with a hardened cup point set screw and lock nut

**FINISH:** Black

**ORDERING:** Specify rod size; finish; and Part Number

**APPROVALS:** UL Listed for top or bottom Beam. FM Approved for NFPA 13, maximum rated pipe size. Complies with Manufacturers Standardization Society SP-69 (Type 19 & 23)

**FUNCTION:** Recommended for attaching hanger rod to top or bottom flange of a beam or bar joist construction. The open back design permits rod adjustment.

**INSTALLATION:** Must install in an upright position

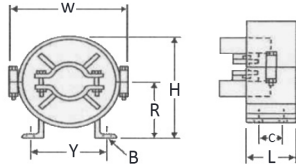
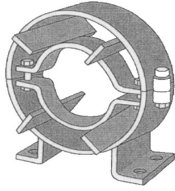
**ALSO AVAILABLE IN:** Electro Galvanized, Hot Dipped Galvanized

PART #	PHOTO REFERENCE							Appox WT. per 100 pcs	Maximum Recommended Load (lbs.)	Carton Qty
	A	B	C	D	E	F	G			
5113-101	3/8"	1-5/8"	2"	3/4"	1"	1-1/4"	7/8"	28 lbs	400 lbs	50
5114-101	1/2"	1-5/8"	2"	3/4"	1"	1-1/4"	7/8"	34 lbs	500 lbs	50
5115-101	5/8"	1-3/4"	2-1/4"	3/4"	1-1/4"	1-1/4"	1"	66 lbs	600 lbs	50
5116-101	3/4"	1-7/8"	2-3/8"	3/4"	1-3/8"	1-1/4"	1-1/4"	83 lbs	800 lbs	50



# PIPE ALIGNMENT GUIDES

Click on any Part# for additional product details



## PIPE ALIGNMENT GUIDE - 5120 Series

**SIZE RANGE:** 1" through 12" pipe size

**MATERIAL:** Carbon Steel

**FINISH:** Black

**ORDERING:** Specify pipe size; guide size; insulation thickness and Part Number

**FUNCTION:** Recommended for use in directing thermal expansion of insulated or non-insulated pipe in the direction permitted by expansion joints or loops

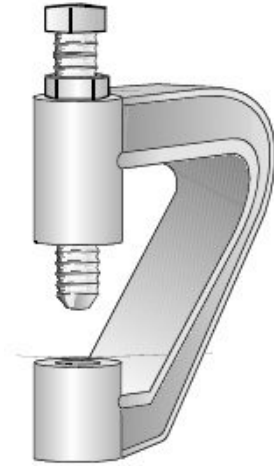
PART #	Guide Size	Photo Reference							Appox WT. per ea (lbs)
		H	R	W	Y	B	C	L	
5120-110	1	5-3/4"	3-1/2"	5-7/8"	4-1/4"	5/8"	1-3/4"	3"	6 lbs
5120-120	2	6-3/4"	4"	7"	4-1/2"	5/8"	1-3/4"	3"	8 lbs
5120-130	3	7-5/8"	4-3/8"	8"	5-1/4"	5/8"	1-3/4"	3"	10 lbs
5120-140	4	9-1/2"	5-1/4"	10-3/8"	6-1/4"	5/8"	1-3/4"	3"	13 lbs
5120-150	5	11-5/8"	6-1/4"	12-1/2"	7-1/4"	5/8"	2-3/4"	4"	20 lbs
5120-160	6	13-5/8"	7-1/4"	14-1/2"	8-1/4"	5/8"	2-3/4"	4"	25 lbs
5120-170	7	15"	8"	15-3/4"	10"	3/4"	4"	6"	40 lbs
5120-180	8	17"	9"	17-3/4"	11"	3/4"	4"	6"	45 lbs
5120-190	9	18-3/4"	9-3/4"	20-1/8"	12"	3/4"	4"	6"	55 lbs
5120-1100	10	21-1/8"	10-7/8"	22-1/8"	11-1/2"	3/4"	4"	6"	65 lbs
5120-1110	11	23-1/8"	12-1/8"	24-1/8"	14-1/2"	7/8"	6"	8"	95 lbs
5120-1120	12	25"	13"	26-5/8"	15-1/2"	7/8"	6"	8"	115 lbs

PART #	Guide Size	Guide Size Selection						Appox WT. per ea (lbs)
		Insulation Thickness						
		1"	1-1/2"	2"	2-1/2"	3"	4"	
5120-110	1	1						6 lbs
5120-120	2	1-1/4 to 2	1					8 lbs
5120-130	3	2 to 3	1-1/4 to 2	1				10 lbs
5120-140	4	3 to 4	2-1/2 to 3-1/2	1-1/4 to 2-1/2	1 to 2	1		13 lbs
5120-150	5	5 to 6	4 to 5	3 to 4	2-1/2 to 3-1/2	1-1/4 to 2-1/2	1	20 lbs
5120-160	6		6	5 to 6	4 to 5	3 to 4	1-1/4 to 2-1/2	25 lbs
5120-170	7		8	8	6	5 to 6	3 to 4	40 lbs
5120-180	8		10	10	8	8	5 to 6	45 lbs
5120-190	9		12	12	10	10	8	55 lbs
5120-1100	10			14	12 to 14	12	10	65 lbs
5120-1110	11			16	16	14	12	95 lbs
5120-1120	12					16	14 to 16	115 lbs

# PURLIN CLAMPS

Click on any Part# for additional product details

## PURLIN CLAMPS - 5125 Series



**SIZE RANGE:** 3/8" rod size

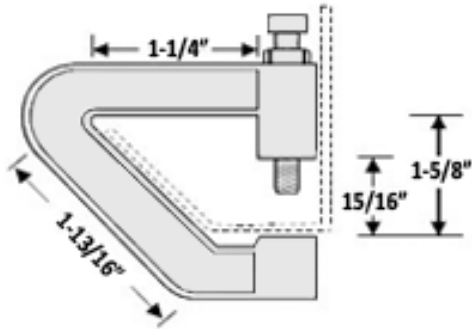
**MATERIAL:** Malleable iron casting with a hardened cup point set screw and lock nut

**FINISH:** Black

**ORDERING:** Specify rod size; finish; and Part Number

**FUNCTION:** Designed for use with large-lip rolled steel purlins to eliminate the need to modify steel purlin for standard C-Clamps

**ALSO AVAILABLE IN:** Electro Galvanized



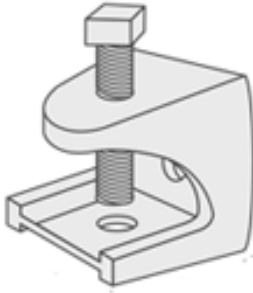
Follow maximum recommended set screw torque values per MSS-SP-69

PART #	PHOTO REFERENCE		Appox WT. per 100 pcs	Maximum Recommended Load (lbs.)	Carton Qty
	Rod Size	Max Pipe Size			
5125-101	3/8"	4"	82 lbs	400 lbs	100

# ROD OR INSULATOR CLAMPS

Click on any Part# for additional product details

## ROD OR INSULATOR CLAMPS - 5130 Series



**SIZE RANGE:** 1/4", 3/8" & 1/2" rod size

**MATERIAL:** Malleable iron with steel set screw

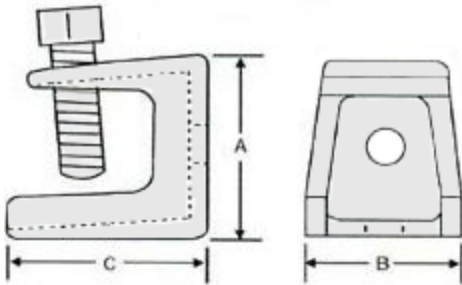
**FINISH:** Electro Galvanized

**ORDERING:** Specify rod size; finish; and Part Number

**FUNCTION:** Recommended for attaching rod or insulator to framework

**ALSO AVAILABLE IN:** 316 Stainless Steel & Hot Dipped Galvanized

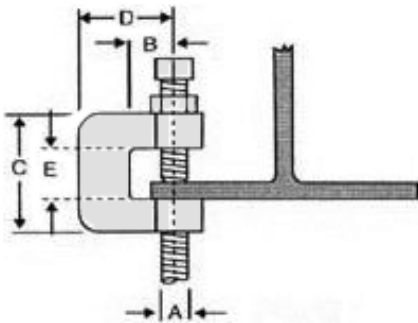
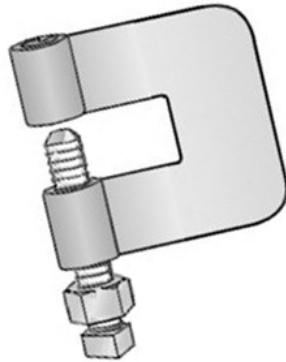
Note: Bottom and back holes are tapped



PART #	PHOTO REFERENCE			Appox WT. per 100 pcs	Carton Qty	
	Rod Size	A	B			C
<b>5130-202</b>	1/4 - 20	1-1/8"	1-3/8"	1-3/8"	25 lbs	25
<b>5130-203</b>	3/8 - 16	1-3/16"	1-3/8"	1-3/8"	95 lbs	10
<b>5130-204</b>	1/2 - 13	2"	2"	2"	195 lbs	10

# C-CLAMPS

Click on any Part# for additional product details



## STEEL C-CLAMPS with LOCKNUT - 5200 Series

**SIZE RANGE:** 3/8" through 7/8" rod sizes

**MATERIAL:** Carbon Steel with hardened cup point set screw and available with or without a lock nut

**FINISH:** Black

**ORDERING:** Specify rod size; finish; and Part Number

**APPROVALS:** UL Listing and FM Approved for NFPA13, maximum rated pipe size. Complies with Federal Specification WW-H171E (Type 23) and Manufacturers Standardization Society SP-69 (Type 23)

**FUNCTION:** Designed for structural attachment of hanger rod to bottom flange of a metal beam, purlins, channel or angle iron. The hanger rod should make contact with the beam flange to ensure full engagement

**ALSO AVAILABLE IN:** Electro Galvanized



Follow maximum recommended set screw torque values per MSS-SP-69

Maximum pipe size: 4"

PART #	PHOTO REFERENCE					Appox WT. per 100 pcs	Maximum Recommended Load (lbs.)	Carton Qty
	A	B	C	D	E			
5203-101	3/8"	3/8"	2-3/8"	2-5/16"	13/16"	45 lbs	400 lbs	100
5204-101	1/2"	1/2"	2-3/8"	2-5/16"	13/16"	46 lbs	500 lbs	100
5205-101	5/8"	5/8"	2-3/8"	2-1/4"	13/16"	66 lbs	550 lbs	50
5206-101	3/4"	3/4"	2-3/8"	2-1/4"	13/16"	86 lbs	600 lbs	50
5207-101	7/8"	3/4"	3"	3-1/4"	1-3/16"	176 lbs	900 lbs	25

# C-CLAMPS

Click on any Part# for additional product details



## MALLEABLE C-CLAMPS with LOCKNUT - 5210 Series

**SIZE RANGE:** 3/8" through 3/4" rod sizes

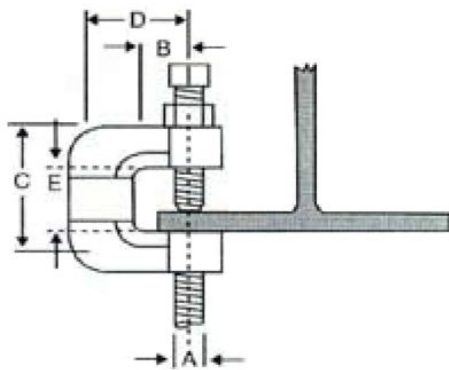
**MATERIAL:** Malleable iron casting with a hardened cup point set screw with lock nut

**FINISH:** Black

**ORDERING:** Specify rod size; finish; and Part Number

**APPROVALS:** UL Listing and FM Approved for NFPA13, maximum rated pipe size. Complies with Federal Specification WW-H171E (Type 23) and Manufacturers Standardization Society SP-69 (Type 23)

**FUNCTION:** Designed for structural attachment of hanger rod to bottom flange of a metal beam, purlins, channel or angle iron. The hanger rod should make contact with the beam flange to ensure full engagement



**ALSO AVAILABLE IN:** Electro Galvanized

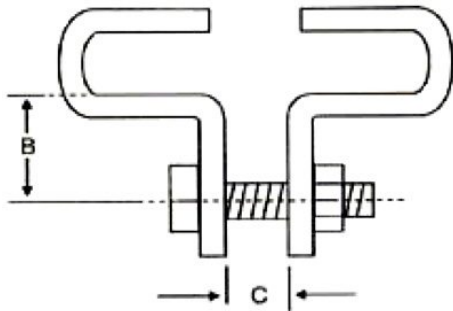
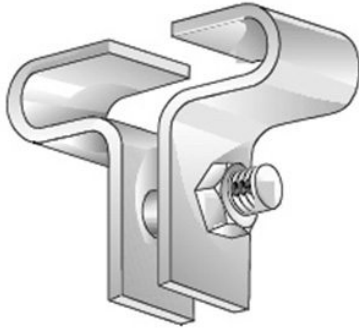


Follow maximum recommended set screw torque values per MSS-SP-69

PART #	PHOTO REFERENCE					Appox WT. per 100 pcs	Maximum Recommended Load (lbs.)	Carton Qty
	A	B	C	D	E			
5213-101	3/8"	3/4"	1-3/4"	1-1/2"	3/4"	26 lbs	400 lbs	100
5214-101	1/2"	3/4"	1-3/4"	1-1/2"	3/4"	29 lbs	500 lbs	100
5215-101	5/8"	5/8"	2"	1-1/2"	3/4"	72 lbs	550 lbs	50
5216-101	3/4"	9/16"	2"	1-1/2"	3/4"	98 lbs	600 lbs	50

# CENTER LOAD BEAM CLAMPS

Click on any Part# for additional product details



## CENTER LOAD BEAMP CLAMPS - 5220 Series Standard Duty Type 1

**SIZE RANGE:** 7/16" through 1" maximum flange thickness

**MATERIAL:** Low Carbon Steel

**FINISH:** Black

**ORDERING:** Specify width of flange, flange thickness and finish

**APPROVALS:** Complies with Federal Specification A-A-1192A (Type 21) and Manufacturers Standardization Society SP-69 (Type 21)

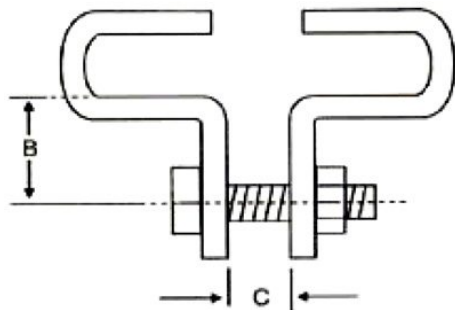
**FUNCTION:** Designed to be used in the suspension of a hanger rod from the center of an I-Beam. The clamp's design allows the load to be distributed equally on either side of the beam. Normally used in conjunction with weldless eye nut

**ALSO AVAILABLE IN:** Electro Galvanized

PART #	Flange Width	Max Flange Thickness	Bolt Size	Type Number	PHOTO REFERENCE			Appox WT. per 100 pcs	Maximum Recommended Load (lbs.)	Carton Qty
					B	C	Material Size			
5220-1-05	5"	5/8"	3/8"	1	1-1/2"	1/2"	3 ga x 1-1/4"	110 lbs	1000 lbs	
5220-1-06	6"	3/4"	3/8"	1	1-1/2"	1/2"	3 ga x 1-1/4"	113 lbs	1000 lbs	
5220-1-08	8"	7/8"	3/8"	1	1-1/2"	1/2"	3 ga x 1-1/4"	125 lbs	1000 lbs	

# CENTER LOAD BEAM CLAMPS

Click on any Part# for additional product details



## CENTER LOAD BEAMP CLAMPS - 5220 Series Heavy Duty Type 4

**SIZE RANGE:** 1/2" through 1" maximum flange thickness

**MATERIAL:** Low Carbon Steel

**FINISH:** Black

**ORDERING:** Specify width of flange, flange thickness and finish

**APPROVALS:** Complies with Federal Specification A-A-1192A (Type 21) and Manufacturers Standardization Society SP-69 (Type 21)

**FUNCTION:** Designed to be used in the suspension of a hanger rod from the center of an I-Beam. The clamp's design allows the load to be distributed equally on either side of the beam. Normally used in conjunct with weldless eye nut

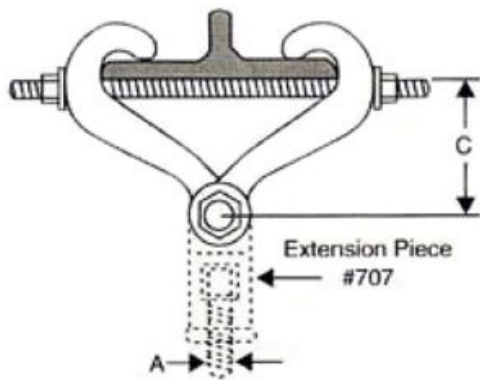
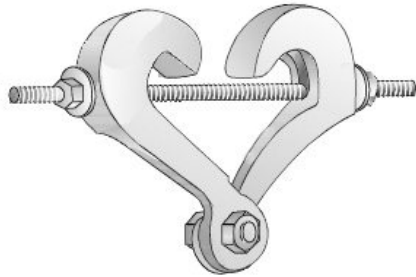
**ALSO AVAILABLE IN:** Electro Galvanized

PART #	Flange Width	Max Flange Thickness	Bolt Size	Type Number	PHOTO REFERENCE			Appox WT. per 100 pcs	Maximum Recommended Load (lbs.)	Carton Qty
					B	C	Material Size			
5220-4-05	5"	5/8"	5/8"	4	2-1/4"	3/4"	1/2" x 2"	428 lbs	3000 lbs	
5220-4-06	6"	3/4"	5/8"	4	2-1/4"	3/4"	1/2" x 2"	445 lbs	3000 lbs	
5220-4-07	7"	7/8"	5/8"	4	2-1/4"	3/4"	1/2" x 2"	476 lbs	3000 lbs	
5220-4-08	8"	7/8"	5/8"	4	2-1/4"	3/4"	1/2" x 2"	524 lbs	3000 lbs	
5220-4-09	9"	1"	5/8"	4	2-1/4"	3/4"	1/2" x 2"	537 lbs	3000 lbs	
5220-4-10	10"	1"	5/8"	4	2-1/4"	3/4"	1/2" x 2"	594 lbs	3000 lbs	
5220-4-12	12"	1"	5/8"	4	2-1/4"	3/4"	1/2" x 2"	697 lbs	3000 lbs	

# CENTER LOAD BEAM CLAMPS

Click on any Part# for additional product details

## MALLEABLE CENTER LOAD BEAM CLAMP - 5246 Series



Extension Piece sold separately

**SIZE RANGE:** 2-3/8" to 7" Flange Width, 3/8" to 7/8" rod size

**MATERIAL:** Malleable iron Jaw, Carbon Steel Hardware

**FINISH:** Black

**ORDERING:** Specify Part Number, Extension Piece sold separately if required

**APPROVALS:** Complies with MSS SP-69 (Type 30)

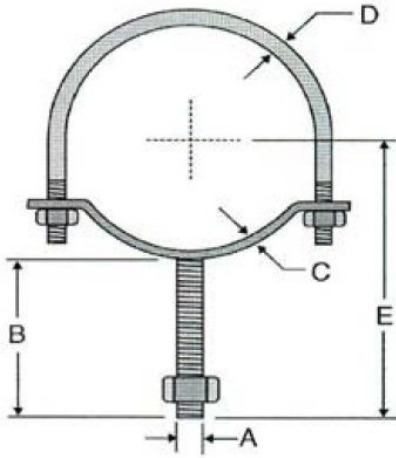
**FUNCTION:** Design for attaching a hanger rod to the bottom flange of a beam. Flange thickness not to exceed 0.60"

PART #	Max Rod Size "A"	PHOTO REFERENCE						Bolt Diameter	Maximum Recommended Load (lbs.)	Appox WT. per 100 pcs
		Rod Take-out "C" for Width of Beam Flange								
		2-3/8"	3"	4"	5"	6"	7"			
<b>5246</b>	7/8"	3-1/2"	3-7/16"	3-5/16"	2-15/16"	2-9/16"	1-7/8"	7/16"	1365 lbs	249



# PIPE SADDLES

Click on any Part# for additional product details



## PIPE SADDLE SUPPORT - 5296 Series

**SIZE RANGE:** 2" through 12" pipe size

**MATERIAL:** Carbon Steel

**FINISH:** Black

**ORDERING:** Specify pipe size; finish and Part Number

**APPROVALS:** Complies with Federal Specification WW-H-171E (Type 8), also A-A-1192 (Type 8) and Manufacturers Standardization Society MSS-SP-69 (Type 8)

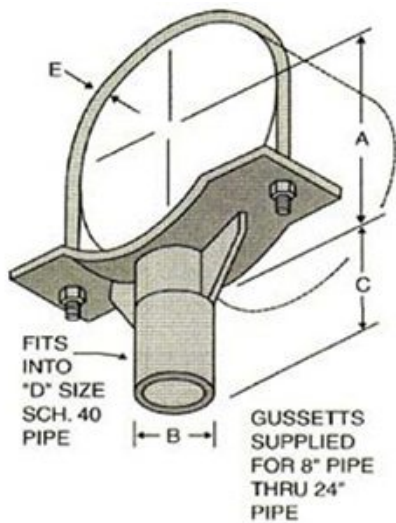
**FUNCTION:** Recommended for supporting and stabilizing horizontal pipe runs

**ALSO AVAILABLE IN:** Electro Galvanized & 304 Stainless Steel

PART #	Pipe Size	PHOTO REFERENCE					Approx WT. per 100 pcs	Carton Qty
		A	B	C	D	E		
5296-120	2"	5/8"	8"	1/4 x 1	1/4"	9-7/16"	120 lbs	50
5296-124	2-1/2"	5/8"	8"	1/4 x 1	3/8"	9-5/8"	140 lbs	50
5296-130	3"	5/8"	8"	1/4 x 1	3/8"	10"	160 lbs	50
5296-140	4"	7/8"	8"	1/4 x 1-1/4	1/2"	10-1/2"	300 lbs	50
5296-150	5"	7/8"	8"	1/4 x 1-1/4	1/2"	11"	320 lbs	
5296-160	6"	1"	8"	1/4 x 1-1/2	5/8"	11-5/8"	490 lbs	
5296-180	8"	1"	8"	1/4 x 1-1/2	5/8"	12-5/8"	620 lbs	
5296-1100	10"	1-1/4"	8"	1/2 x 2	5/8"	13-7/8"	1050 lbs	
5296-1120	12"	1-1/4"	8"	1/2 x 2	5/8"	14-7/8"	1180 lbs	

# PIPE SADDLES

Click on any Part# for additional product details



## HEAVY DUTY PIPE SADDLE with U-BOLT - 5297 Series

**SIZE RANGE:** 4" through 24" pipe size

**MATERIAL:** Carbon Steel

**FINISH:** Black

**ORDERING:** Specify pipe size; finish and Part Number

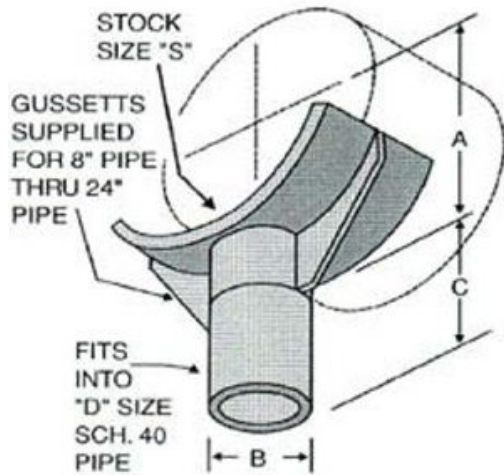
**FUNCTION:** Recommended for supporting and stabilizing horizontal pipe runs

**ALSO AVAILABLE IN:** Electro Galvanized & 316 Stainless Steel

PART #	Pipe Size	PHOTO REFERENCE					Appox WT. per 100 pcs
		A	B	C	D	E	
5297-140	4"	3-3/4"	2-3/8"	3"	2-1/2"	1/2"	560 lbs
5297-150	5"	4-1/8"	2-3/8"	3"	2-1/2"	1/2"	600 lbs
5297-160	6"	4-7/8"	2-3/8"	3"	2-1/2"	5/8"	780 lbs
5297-180	8"	6-7/8"	2-3/8"	4"	2-1/2"	5/8"	1080 lbs
5297-1100	10"	7-7/8"	2-3/8"	4"	2-1/2"	3/4"	1360 lbs
5297-1120	12"	9-1/8"	2-3/8"	4"	2-1/2"	7/8"	1720 lbs
5297-1140	14"	10-1/2"	2-7/8"	4"	3"	7/8"	2840 lbs
5297-1160	16"	11-1/2"	2-7/8"	4"	3"	7/8"	3120 lbs
5297-1180	18"	13-1/2"	3-3/4"	4"	4"	1"	4000 lbs
5297-1200	20"	14-1/2"	3-3/4"	4"	4"	1"	4260 lbs
5297-1240	24"	17-1/2"	3-3/4"	4"	4"	1"	4580 lbs

# PIPE SADDLES

Click on any Part# for additional product details



## HEAVY DUTY PIPE SADDLE - 5298 Series

**SIZE RANGE:** 4" through 24" pipe size

**MATERIAL:** Carbon Steel

**FINISH:** Black

**ORDERING:** Specify pipe size; finish and Part Number

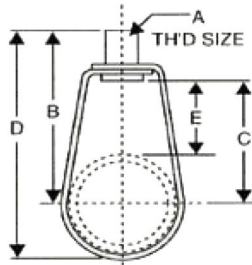
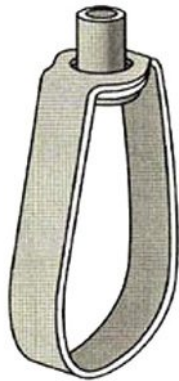
**FUNCTION:** Recommended for supporting and stabilizing horizontal pipe runs

**ALSO AVAILABLE IN:** Electro Galvanized & 316 Stainless Steel

PART #	Pipe Size	PHOTO REFERENCE					Appox WT. per 100 pcs
		A	B	C	D	S	
5298-140	4"	3-3/4"	2-3/8"	3"	2-1/2"	3/8" x 4"	400 lbs
5298-150	5"	4-1/8"	2-3/8"	3"	2-1/2"	3/8" x 4"	460 lbs
5298-160	6"	4-7/8"	2-3/8"	3"	2-1/2"	3/8" x 4"	490 lbs
5298-180	8"	6-7/8"	2-3/8"	4"	2-1/2"	3/8" x 4"	760 lbs
5298-1100	10"	6-7/8"	2-3/8"	4"	2-1/2"	3/8" x 4"	850 lbs
5298-1120	12"	9-1/8"	2-3/8"	4"	2-1/2"	3/8" x 4"	960 lbs
5298-1140	14"	10-1/2"	2-7/8"	4"	3"	1/2" x 4"	1450 lbs
5298-1160	16"	11-1/2"	2-7/8"	4"	3"	1/2" x 4"	1580 lbs
5298-1180	18"	13-1/2"	3-3/4"	4"	4"	1/2" x 5"	2250 lbs
5298-1200	20"	14-1/2"	3-3/4"	4"	4"	1/2" x 5"	2400 lbs
5298-1240	24"	17-1/2"	3-3/4"	4"	4"	1/2" x 5"	3000 lbs

# SWIVEL RINGS

Click on any Part# for additional product details



## IRON PIPE SWIVEL RING - 5300 Series

**SIZE RANGE:** 1/2" through 8" pipe

**MATERIAL:** Pre-Galvanized Carbon Steel with a Zinc Electroplate insert nut

**FINISH:** Pre-Galvanized

**ORDERING:** Specify rod size, finish, Part Number and pipe size

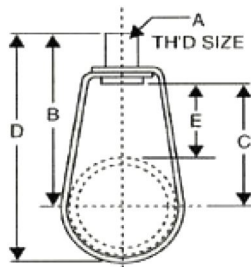
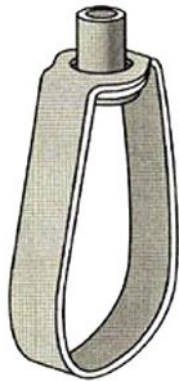
**APPROVALS:** UL Listing and FM Approved. Complies with Federal Specification WW-H-171E (Type 10) and A-A 1192A (Type 10) and Manufacturers Standardization Society SP-69 (Type 10) and NFPA standards for reduced rod sizes

**FUNCTION:** Design and recommended for the suspension of non-insulated stationary pipe lines. The hanger may be installed prior to the erection of piping and also allows for vertical adjustment after installation

PART #	Pipe Size	PHOTO REFERENCE					Appox WT. per 100 pcs	Maximum Recommended Load (lbs.)	Carton Qty
		A	B	C	D	E			
5300-204	1/2"	3/8"	2-1/2"	1-1/2"	3"	13/16"	8 lbs	400 lbs	100
5300-206	3/4"	3/8"	2-5/8"	1-3/4"	3-1/8"	13/16"	9 lbs	400 lbs	100
5300-210	1"	3/8"	2-3/4"	1-7/8"	3-3/8"	13/16"	10 lbs	400 lbs	100
5300-212	1-1/4"	3/8"	2-7/8"	2-1/8"	3-3/4"	13/16"	11 lbs	400 lbs	100
5300-214	1-1/2"	3/8"	3"	2-1/4"	4"	1-3/16"	13 lbs	400 lbs	100
5300-220	2"	3/8"	3-3/8"	2-1/2"	4-5/8"	13/16"	14 lbs	400 lbs	100
5300-224	2-1/2"	1/2"	4"	3-1/8"	5-1/2"	13/16"	30 lbs	600 lbs	50
5300-230	3"	1/2"	4-5/8"	3-5/8"	6-3/8"	13/16"	32 lbs	600 lbs	50
5300-234	3-1/2"	1/2"	5"	4"	7"	13/16"	36 lbs	600 lbs	50
5300-240	4"	5/8"	5-1/4"	4-1/8"	7-1/2"	1-3/16"	44 lbs	1000 lbs	25
5300-250	5"	5/8"	6"	5"	8-3/4"	13/16"	56 lbs	1000 lbs	20
5300-260	6"	3/4"	7"	6"	10-3/8"	13/16"	116 lbs	1250 lbs	20
5300-280	8"	3/4"	8-1/4"	7-1/8"	12-5/8"	1-3/16"	150 lbs	1250 lbs	10

# SWIVEL RINGS

Click on any Part# for additional product details



## COPPER TUBING SWIVEL RING - 5301 Series

**SIZE RANGE:** 1/2" through 6" pipe

**MATERIAL:** Carbon Steel

**FINISH:** Copper Plated

**ORDERING:** Specify rod size, finish, Part Number and pipe size

**APPROVALS:** Complies with Federal Specification WW-H-171E (Type 10) and A-A 1192A (Type 10) and Manufacturers Standardization Society SP-69 (Type 10)

**FUNCTION:** Design and recommended for the suspension of copper tubing stationary pipe line allowing for vertical adjustment

PART #	Pipe Size	PHOTO REFERENCE					Appox WT. per 100 pcs	Maximum Recommended Load (lbs.)	Carton Qty
		A	B	C	D	E			
5301-304	1/2"	3/8"	2-3/4"	1-1/2"	3"	1-5/8"	9 lbs	400 lbs	100
5301-306	3/4"	3/8"	2-3/4"	1-1/2"	3"	1-3/8"	9 lbs	400 lbs	100
5301-310	1"	3/8"	2-1/2"	1-3/4"	3-1/4"	1-3/8"	10 lbs	400 lbs	100
5301-312	1-1/4"	3/8"	2-5/8"	1-7/8"	3-3/8"	1"	11 lbs	400 lbs	100
5301-314	1-1/2"	3/8"	2-3/4"	2-1/8"	3-3/4"	1-1/8"	12 lbs	400 lbs	100
5301-320	2"	3/8"	3-1/8"	2-1/4"	4-1/8"	1-1/8"	14 lbs	400 lbs	100
5301-324	2-1/2"	3/8"	3-1/2"	2-1/2"	4-3/4"	1-3/8"	30 lbs	600 lbs	50
5301-330	3"	3/8"	3-7/8"	3-1/8"	5-3/8"	1-3/8"	32 lbs	600 lbs	50
5301-340	4"	3/8"	4-1/8"	4"	7"	1-1/8"	44 lbs	1000 lbs	25
5301-350	5"	5/8"	5-5/8"	4-1/8"	8-1/8"	1-1/4"	66 lbs	1000 lbs	20
5301-360	6"	5/8"	7-5/8"	5"	10-3/4"	1-3/4"	116 lbs	1250 lbs	20

EMAIL:  
SALES@MASTERD.US

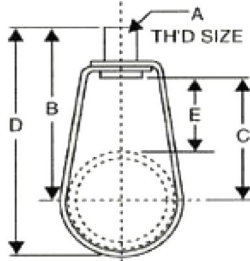
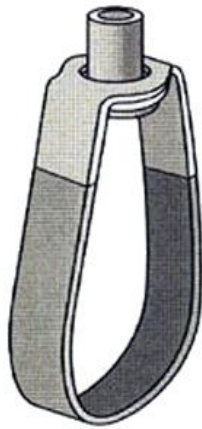
**MASTER**  
**DISTRIBUTION**  
An AFC Industries Company

PHONE: 330-220-3600  
FAX: 330-220-3641

15

# SWIVEL RINGS

Click on any Part# for additional product details



## IRON PIPE SWIVEL RING PVC - 5302 Series

**SIZE RANGE:** 1/2" through 8" pipe

**MATERIAL:** Pre-galvanized Carbon Steel with a Zinc Electroplate insert nut

**FINISH:** Pre-Galvanized

**ORDERING:** Specify rod size, finish, Part Number and pipe size

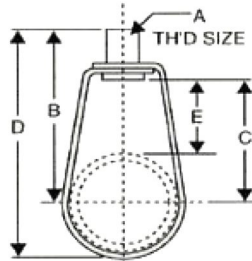
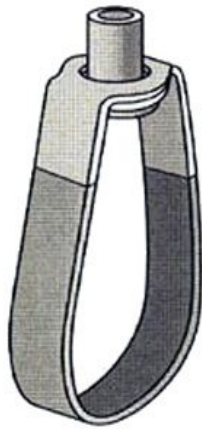
**APPROVALS:** Complies with Federal Specification WW-H-171E (Type 10) and A-A 1192A (Type 10) and Manufacturers Standardization Society SP-69 (Type 10) and NFPA standards for reduced rod sizes

**FUNCTION:** Design and recommended for the suspension of non-insulated stationary pipe lines. The hanger may be installed prior to the erection of piping and also allows for vertical adjustment after installation

PART #	Pipe Size	PHOTO REFERENCE					Approx. WT. per 100 pcs	Maximum Recommended Load (lbs.)	Carton Qty
		A	B	C	D	E			
5302-504	1/2"	3/8"	2-1/2"	1-1/2"	3"	1-1/8"	8 lbs	400 lbs	100
5302-506	3/4"	3/8"	2-5/8"	1-3/4"	3-1/8"	1-1/8"	9 lbs	400 lbs	100
5302-510	1"	3/8"	2-3/4"	1-7/8"	3-3/8"	1-1/8"	10 lbs	400 lbs	100
5302-512	1-1/4"	3/8"	2-7/8"	2-1/8"	3-3/4"	1-1/8"	11 lbs	400 lbs	100
5302-514	1-1/2"	3/8"	3"	2-1/4"	4"	1-1/8"	13 lbs	400 lbs	100
5302-520	2"	3/8"	3-3/8"	2-1/2"	4-5/8"	1-1/8"	14 lbs	400 lbs	100
5302-524	2-1/2"	1/2"	4"	3-1/8"	5-1/2"	1-3/8"	30 lbs	600 lbs	50
5302-530	3"	1/2"	4-5/8"	3-5/8"	6-3/8"	1-5/8"	32 lbs	600 lbs	50
5302-534	3-1/2"	1/2"	5"	4"	7"	1-3/4"	36 lbs	600 lbs	50
5302-540	4"	5/8"	5-1/4"	4-1/8"	7-1/2"	1-5/8"	44 lbs	1000 lbs	25
5302-550	5"	5/8"	6"	5"	8-3/4"	1-7/8"	56 lbs	1000 lbs	20
5302-560	6"	3/4"	7"	6"	10-3/8"	2-1/8"	116 lbs	1250 lbs	20
5302-580	8"	3/4"	8-1/4"	7-1/8"	12-5/8"	2-3/8"	150 lbs	1250 lbs	10

# SWIVEL RINGS

Click on any Part# for additional product details



## COPPER TUBING SWIVEL RING PVC COATED - 5303 Series

**SIZE RANGE:** 1/2" through 6" pipe

**MATERIAL:** Carbon Steel

**FINISH:** Copper Plated

**ORDERING:** Specify rod size, finish, Part Number and pipe size

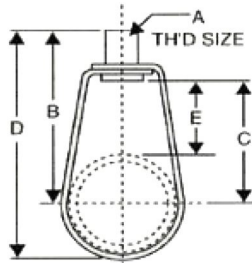
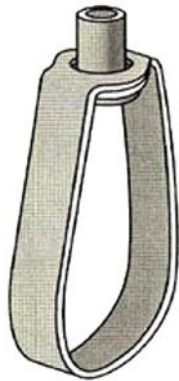
**APPROVALS:** Complies with Federal Specification WW-H-171E (Type 10) and A-A 1192A (Type 10) and Manufacturers Standardization Society SP-69 (Type 10)

**FUNCTION:** Design and recommended for the suspension of copper tubing stationary pipe lines allowing for vertical adjustment.

PART #	Pipe Size	PHOTO REFERENCE					Maximum Recommended Load (lbs.)	Approx WT. per 100 pcs	Carton Qty
		A	B	C	D	E			
5303-504	1/2"	3/8"	2-3/4"	1-1/2"	3"	1-5/8"	400 lbs	9 lbs	100
5303-506	3/4"	3/8"	2-3/4"	1-1/2"	3"	1-3/8"	400 lbs	9 lbs	100
5303-510	1"	3/8"	2-1/2"	1-3/4"	3-1/4"	1-3/8"	400 lbs	10 lbs	100
5303-512	1-1/4"	3/8"	2-5/8"	1-7/8"	3-3/8"	1"	400 lbs	11 lbs	100
5303-514	1-1/2"	3/8"	2-3/4"	2-1/8"	3-3/4"	1-1/8"	400 lbs	12 lbs	100
5303-520	2"	3/8"	3-1/8"	2-1/4"	4-1/8"	1-1/8"	400 lbs	14 lbs	100
5303-524	2-1/2"	1/2"	3-1/2"	2-1/2"	4-3/4"	1-3/8"	600 lbs	30 lbs	50
5303-530	3"	1/2"	3-7/8"	3-1/8"	5-3/8"	1-3/8"	600 lbs	32 lbs	50
5303-540	4"	5/8"	4-1/8"	4"	7"	1-1/8"	1000 lbs	44 lbs	25
5303-550	5"	5/8"	5-5/8"	4-1/8"	8-1/8"	1-1/4"	1000 lbs	66 lbs	20
5303-560	6"	3/4"	7-5/8"	5"	10-3/4"	1-3/4"	1250 lbs	116 lbs	20

# SWIVEL RINGS

Click on any Part# for additional product details



## IRON PIPE SWIVEL RING - 5304 Series

**SIZE RANGE:** 2-1/2" through 8" pipe

**MATERIAL:** Pre-galvanized Carbon Steel with a Zinc Electroplate insert nut

**FINISH:** Pre-Galvanized

**ORDERING:** Specify rod size, finish, Part Number and pipe size

**APPROVALS:** UL Listing and FM Approved. Complies with Federal Specification WW-H-171E (Type 10) and A-A-1192A (Type 10) and Manufacturers Standardization Society SP-69 (Type 10) and NFPA standards for reduced rod sizes

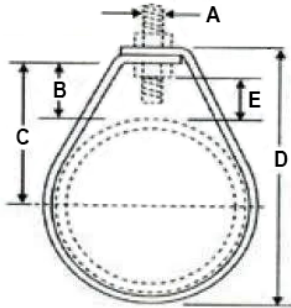
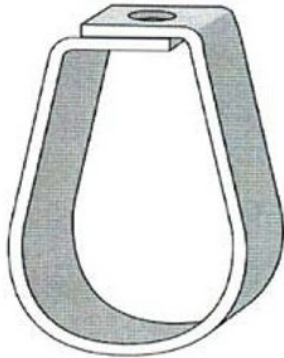
**FUNCTION:** Design and recommended for the suspension of non-insulated stationary pipe lines. The hanger may be installed prior to the erection of piping and also allows for vertical adjustment after installation

PART #	Pipe Size	PHOTO REFERENCE					Appox WT. per 100 pcs	Maximum Recommended Load (lbs.)	Carton Qty
		A	B	C	D	E			
5304-224	2-1/2"	3/8"	3-7/8"	3-1/8"	5-3/8"	1-3/8"	24 lbs	600 lbs	50
5304-230	3"	3/8"	4-1/2"	3-5/8"	6-1/4"	1-5/8"	28 lbs	600 lbs	50
5304-234	3-1/2"	3/8"	4-7/8"	4"	6-7/8"	1-3/4"	32 lbs	600 lbs	50
5304-240	4"	3/8"	5"	4-1/8"	7-1/4"	1-5/8"	32 lbs	1000 lbs	25
5304-250	5"	1/2"	5-3/4"	4-1/4"	8-1/2"	1-7/8"	62 lbs	1000 lbs	20
5304-260	6"	1/2"	6-3/4"	5-1/8"	10-1/8"	2-1/8"	65 lbs	1250 lbs	20
5304-280	8"	1/2"	7-7/8"	7"	12-1/4"	2-3/8"	100 lbs	1250 lbs	10



# BAND HANGERS

Click on any Part# for additional product details



## STAINLESS STEEL BAND HANGERS - 5305 Series

**SIZE RANGE:** 1/2" through 8" pipe

**MATERIAL:** Stainless Steel

**FINISH:** 304 Stainless Steel  
Also available in 316 Stainless Steel

**ORDERING:** Specify rod size, finish, Part Number and pipe size

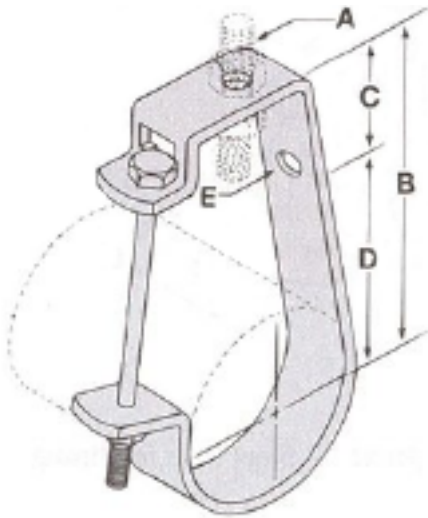
**APPROVALS:** Complies with Federal Specification WW-H-171E (Type 7) and A-A-1192A (Type 10) and Manufacturers Standardization Society SP-69 (Type 7)

**FUNCTION:** This hanger is formed in one piece giving a double thickness of stock at the point which carries the load. It has a vertical adjustment of 5/8" to 2" by means of a suspended steel rod threaded and two nuts. The lower nut adjusts the pipe line to the proper pitch and the top nut when locked onto position prevents loosening due to vibration. The nuts are not included

PART #	Pipe Size	PHOTO REFERENCE					Appox WT. per 100 pcs	Maximum Recommended Load (lbs.)	Carton Qty
		A	B	C	D	E			
5305-804S1	1/2"	3/8"	1-1/8"	1-5/8"	2"	13/16"	10 lbs	610 lbs	
5305-806S1	3/4"	3/8"	1-1/8"	1-5/8"	2-1/8"	13/16"	12 lbs	610 lbs	
5305-810S1	1"	3/8"	1-1/4"	2"	2-5/8"	1"	14 lbs	610 lbs	
5305-812S1	1-1/4"	3/8"	1-3/8"	2-1/8"	3"	1"	16 lbs	610 lbs	
5305-814S1	1-1/2"	3/8"	1-1/2"	2-1/2"	3-3/8"	1-1/4"	17 lbs	610 lbs	
5305-820S1	2"	3/8"	1-3/4"	3"	4-1/8"	1-1/2"	32 lbs	610 lbs	
5305-824S1	2-1/2"	1/2"	1-5/8"	3"	4-1/2"	1-1/8"	36 lbs	970 lbs	
5305-830S1	3"	1/2"	1-1/2"	3-1/4"	5"	1"	57 lbs	970 lbs	
5305-840S1	4"	5/8"	1-1/2"	3-3/4"	6"	1"	68 lbs	970 lbs	
5305-850S1	5"	5/8"	2-1/8"	5"	7-3/4"	1-3/4"	82 lbs	970 lbs	
5305-860S1	6"	3/4"	2-3/8"	5-5/8"	9"	1-3/4"	120 lbs	1250 lbs	
5305-880S1	8"	3/4"	2-3/8"	6-5/8"	11"	1-5/8"	220 lbs	1800 lbs	

# CONDUIT J TYPE HANGERS

Click on any Part# for additional product details



## CONDUIT HANGERS - J TYPE - 5306 Series

**SIZE RANGE:** 1/2" through 8" pipe

**MATERIAL:** Carbon Steel

**FINISH:** Electro Galvanized  
Also available in 304 Stainless Steel

**ORDERING:** Specify rod size, finish, Part Number and pipe size

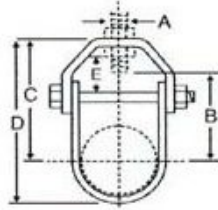
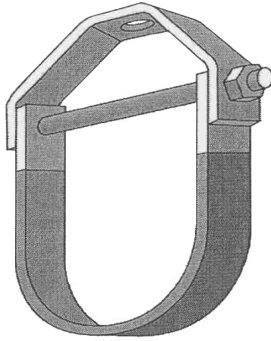
**APPROVALS:** Complies with Federal Specification A-A-1192A (Type 5) and Manufacturers Standardization Society SP-69 (Type 5)

**FUNCTION:** Recommended for the suspension of non-insulated stationary pipe lines. The "J" slot in the hanger permits the side bolt to be installed after installation and settling of pipe. The side hole permits optional wall mounting

PART #	Pipe Size	PHOTO REFERENCE					Appox WT. per 100 pcs	Maximum Recommended Load (lbs.)	Carton Qty
		A	B	C	D	E			
5306-204	1/2"	3/8"	2-5/8"	1"	2"	13/32"	20 lbs	400 lbs	100
5306-206	3/4"	3/8"	2-7/8"	1"	2-1/4"	13/32"	23 lbs	400 lbs	100
5306-210	1"	3/8"	3"	1"	2-3/8"	13/32"	24 lbs	400 lbs	100
5306-212	1-1/4"	3/8"	3-1/4"	1"	2-1/2"	13/32"	27 lbs	400 lbs	100
5306-214	1-1/2"	3/8"	3-1/2"	1"	2-5/8"	13/32"	29 lbs	400 lbs	100
5306-220	2"	3/8"	3-3/4"	1-1/8"	2-5/8"	13/32"	32 lbs	400 lbs	100
5306-224	2-1/2"	1/2"	4-3/8"	1-1/8"	3-5/8"	9/16"	71 lbs	800 lbs	50
5306-230	3"	1/2"	4-7/8"	1-1/8"	4"	9/16"	77 lbs	800 lbs	50
5306-234	3-1/2"	1/2"	5-1/8"	1-1/8"	4-1/4"	9/16"	84 lbs	800 lbs	50
5306-240	4"	5/8"	6-1/8"	1-1/8"	5-1/8"	9/16"	139 lbs	800 lbs	25
5306-250	5"	5/8"	6-3/4"	1-1/8"	5-3/4"	9/16"	166 lbs	800 lbs	20
5306-260	6"	3/4"	7-3/4"	1-1/4"	6-1/2"	9/16"	226 lbs	1000 lbs	20
5306-280	8"	7/8"	9-1/4"	1-1/4"	8"	9/16"	332 lbs	1200 lbs	10

# CLEVIS HANGERS

Click on any Part# for additional product details



## STANDARD CLEVIS HANGER PVC COATED - 5402 Series

**SIZE RANGE:** 1/2" through 36" pipe sizes

**MATERIAL:** Carbon Steel

**FINISH:** Black

**ORDERING:** Specify pipe size, finish and Part Number

**APPROVALS:** Complies with Federal Specification WW-H-171E (Type 1) and Manufacturers Standardization Society ANSI/MSS-58 (Type 1)

**FUNCTION:** Recommended for the suspension of non-insulated stationary pipe lines

PART #	Pipe Size	PHOTO REFERENCE					Maximum Recommended Load (lbs.)	Approx. WT. per 100 pcs	Carton Qty
		A	B	C	D	E			
5402-504	1/2"	3/8"	1/2"	2-1/4"	3-1/8"	1-1/8"	600 lbs	37 lbs	100
5402-506	3/4"	3/8"	5/8"	2-1/4"	3-1/8"	1-1/8"	600 lbs	38 lbs	100
5402-510	1"	3/8"	3/4"	2-1/4"	3-1/8"	1-1/8"	600 lbs	39 lbs	100
5402-512	1-1/4"	3/8"	2"	2-5/8"	3-1/2"	1-1/8"	600 lbs	40 lbs	100
5402-514	1-1/2"	3/8"	2-1/16"	3"	3-3/4"	1-1/8"	600 lbs	44 lbs	100
5402-520	2"	3/8"	2-5/16"	3-1/8"	4-1/4"	15/16"	600 lbs	52 lbs	100
5402-524	2-1/2"	1/2"	2-3/8"	3-1/8"	4-5/8"	3/4"	1100 lbs	108 lbs	50
5402-530	3"	1/2"	2-7/8"	3-5/8"	5-1/2"	1"	1100 lbs	120 lbs	50
5402-534	3-1/2"	1/2"	3-5/8"	4-1/8"	6-1/4"	1-1/8"	1100 lbs	128 lbs	50
5402-540	4"	5/8"	3-5/8"	5-1/8"	7-3/8"	1-1/8"	1400 lbs	184 lbs	25
5402-550	5"	5/8"	4-1/4"	5-3/4"	8-5/8"	1-1/4"	1400 lbs	205 lbs	25
5402-560	6"	5/8"	5-1/4"	7-1/4"	10-1/2"	1-1/2"	2000 lbs	310 lbs	25
5402-580	8"	5/8"	6-5/8"	8"	12-3/8"	2"	2000 lbs	440 lbs	25
5402-5100	10"	5/8"	8-3/8"	9-7/8"	15-1/4"	2-1/4"	3600 lbs	860 lbs	
5402-5120	12"	5/8"	9-3/4"	11-3/4"	17-1/2"	2-5/8"	3800 lbs	1040 lbs	
5402-5140	14"	5/8"	10-9/16"	12-1/2"	19-1/2"	2-1/2"	4200 lbs	1480 lbs	
5402-5160	16"	5/8"	11-15/16"	14"	22"	2-3/4"	4600 lbs	2100 lbs	
5402-5180	18"	5/8"	13-7/8"	16"	25"	3-3/4"	4800 lbs	2440 lbs	
5402-5200	20"	5/8"	15-1/8"	17-1/2"	27-1/2"	3-3/4"	4800 lbs	4260 lbs	
5402-5240	24"	5/8"	17-3/8"	19-3/4"	31-3/4"	4"	4800 lbs	4840 lbs	
5402-5360	36"	5/8"	21-1/2"	24-1/8"	39-1/8"	4-3/4"	6000 lbs	6950 lbs	

EMAIL:  
SALES@MASTERD.US

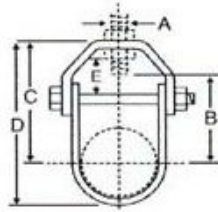
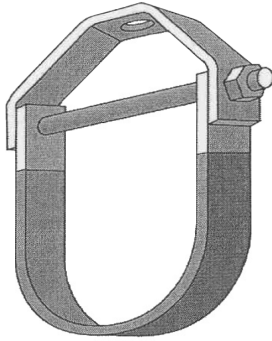
**MASTER**  
**DISTRIBUTION**  
An AFC Industries Company

PHONE: 330-220-3600  
FAX: 330-220-3641

21

# CLEVIS HANGERS

Click on any Part# for additional product details



## COPPER CLEVIS HANGER PVC COATED - 5403 Series

**SIZE RANGE:** 1/2" through 4" pipe sizes

**MATERIAL:** Carbon Steel

**FINISH:** Copper Plated

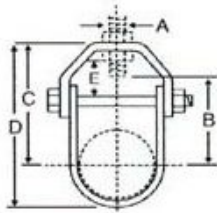
**ORDERING:** Specify pipe size, finish and Part Number

**FUNCTION:** Recommended for the suspension of copper tubing stationary pipe lines allowing for vertical adjustment.

PART #	Pipe Size	PHOTO REFERENCE							Maximum Recommended Load (lbs.)	Approx WT. per 100 pcs	Carton Qty
		A	B	C	D	E	F	H			
5403-504	1/2"	3/8"	1-1/2"	2-1/2"	2-7/8"	1/4"	1-3/16"	1 1/16"	150 lbs	22 lbs	100
5403-506	3/4"	3/8"	1-5/8"	2-5/8"	3-1/4"	1/4"	1-3/16"	3/4"	150 lbs	20 lbs	100
5403-510	1"	3/8"	1-3/4"	2-3/4"	3-1/2"	1/4"	1-3/16"	1-1/4"	250 lbs	20 lbs	100
5403-512	1-1/4"	3/8"	1-7/8"	2-7/8"	3-5/8"	1/4"	1-3/16"	1-1/2"	250 lbs	22 lbs	100
5403-514	1-1/2"	3/8"	2"	3"	4"	1/4"	1-3/16"	1-3/4"	250 lbs	18 lbs	100
5403-520	2"	3/8"	1-3/8"	3-3/8"	4-1/8"	1/4"	1-3/16"	2-3/8"	250 lbs	24 lbs	100
5403-524	2-1/2"	1/2"	3"	4"	5"	1/4"	1-3/4"	2-3/4"	350 lbs	28 lbs	50
5403-530	3"	1/2"	3-5/8"	4-5/8"	5-1/2"	3/8"	1-3/4"	3-3/8"	350 lbs	70 lbs	
5403-534	3-1/2"	1/2"	4"	5"	5-7/8"	3/8"	1-3/4"	4"	350 lbs	84 lbs	
5403-540	4"	5/8"	4-1/4"	5-1/4"	6-3/8"	3/8"	1-3/4"	4-1/2"	400 lbs	90 lbs	

# CLEVIS HANGERS

Click on any Part# for additional product details



## STANDARD DUTY CLEVIS HANGERS - 5404 Series

**SIZE RANGE:** 1/2" through 16" pipe

**MATERIAL:** Carbon Steel

**FINISH:** Black

Also available in Electro Galvanized,  
304 Stainless Steel & 316 Stainless Steel

**ORDERING:** Specify pipe size, finish and Part Number

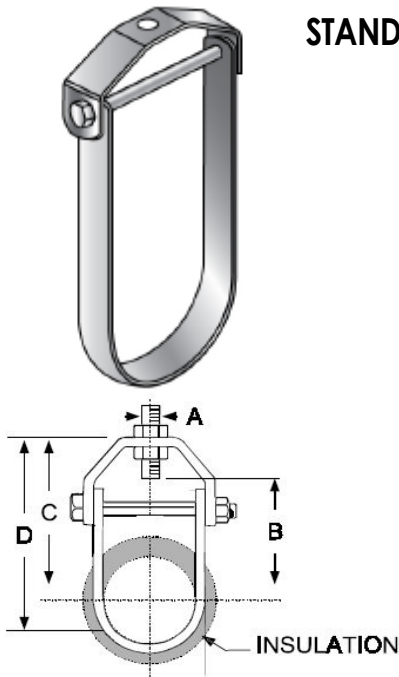
**APPROVALS:** FM Approved (3/4" through 8" only).  
Complies with Federal Specification WW-  
H-171E (Type 1) and Manufacturers  
Standardization Society ANSI/MSS-58  
(Type 1)

**FUNCTION:** Recommended for the suspension of non-  
insulated stationary pipe lines.

PART #	Pipe Size	PHOTO REFERENCE					Appox WT. per 100 pcs	Maximum Recommended Load (lbs.)	Carton Qty
		A	B	C	D	E			
5404-104	1/2"	3/8"	1/2"	1-7/8"	2-3/8"	1/2"	37 lbs	600 lbs	100
5404-106	3/4"	3/8"	5/8"	2-1/8"	2-3/4"	5/8"	38 lbs	600 lbs	100
5404-110	1"	3/8"	3/4"	2-1/4"	2-7/8"	3/4"	39 lbs	600 lbs	100
5404-112	1-1/4"	3/8"	2"	2-7/8"	3-3/4"	1-1/8"	40 lbs	600 lbs	100
5404-114	1-1/2"	3/8"	2-1/16"	2-3/4"	3-3/4"	1"	44 lbs	600 lbs	100
5404-120	2"	3/8"	2-5/16"	3-1/2"	4-3/4"	1-1/8"	52 lbs	600 lbs	100
5404-124	2-1/2"	1/2"	3-3/8"	4-1/2"	6"	1-3/8"	108 lbs	1100 lbs	50
5404-130	3"	1/2"	2-7/8"	4-1/2"	6-1/4"	1-3/8"	120 lbs	1100 lbs	50
5404-134	3-1/2"	1/2"	3-3/8"	4-7/8"	6-7/8"	1-1/2"	128 lbs	1100 lbs	50
5404-140	4"	5/8"	3-5/8"	5-3/8"	7-3/4"	1-1/2"	184 lbs	1400 lbs	25
5404-150	5"	5/8"	4-1/4"	6-1/2"	9-3/8"	2"	205 lbs	1400 lbs	25
5404-160	6"	5/8"	5-1/4"	7-7/8"	11-1/4"	2"	310 lbs	2000 lbs	25
5404-180	8"	5/8"	6-5/8"	8"	12-3/8"	2-1/4"	440 lbs	2000 lbs	25
5404-1100	10"	7/8"	8-3/8"	9-7/8"	15-1/4"	2-1/4"	860 lbs	3600 lbs	
5404-1120	12"	7/8"	9-3/4"	11-3/4"	17-1/2"	2-5/8"	3800 lbs	3800 lbs	
5404-1140	14"	1"	10-9/16"	12-1/2"	19-1/2"	2-1/2"	1480 lbs	4200 lbs	
5404-1160	16"	1"	11-15/16"	14"	22"	2-3/4"	2100 lbs	4600lbs	

# CLEVIS HANGERS

Click on any Part# for additional product details



## STANDARD DUTY CLEVIS HANGERS EXTENDED BOTTOM - 5405 Series

**SIZE RANGE:** 1/2" through 16" pipe

**MATERIAL:** Carbon Steel

**FINISH:** Black

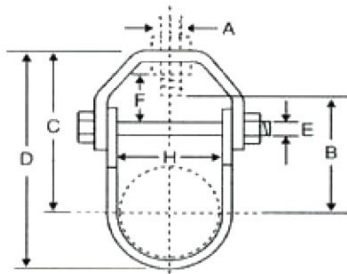
**ORDERING:** Specify pipe size, finish and Part Number

**FUNCTION:** Recommended for the suspension of insulated stationary pipe lines allowing for vertical adjustment

PART #	Pipe Size	PHOTO REFERENCE				Maximum Recommended Load (lbs.)	Approx WT. per 100 pcs	Carton Qty
		A	B	C	D			
<b>3/4" - 1" pipe size designed for 2" insulation</b>								
<b>5405-106</b>	3/4"	3/8"	2-7/8"	3-5/8"	4-1/4"	610 lbs	50 lbs	50
<b>5405-110</b>	1"	3/8"	3-1/4"	4"	4-5/8"	610 lbs	57 lbs	25
<b>5405-112</b>	1-1/4"	3/8"	3-5/8"	4-1/2"	5-1/4"	610 lbs	63 lbs	25
<b>5405-114</b>	1-1/2"	3/8"	4"	4-3/4"	5-3/4"	610 lbs	71 lbs	25
<b>2" - 12" pipe size designed for 4" insulation</b>								
<b>5405-120</b>	2"	3/8"	6-1/2"	7-1/2"	8-5/8"	610 lbs	84 lbs	25
<b>5405-124</b>	2-1/2"	1/2"	7-1/2"	8-1/2"	10"	1130 lbs	189 lbs	25
<b>5405-130</b>	3"	1/2"	7-1/2"	8-5/8"	10-1/4"	1130 lbs	199 lbs	25
<b>5405-140</b>	4"	5/8"	8-1/8"	9-3/8"	11-5/8"	1430 lbs	245 lbs	25
<b>5405-150</b>	5"	5/8"	8-3/4"	9-7/8"	12-5/8"	1430 lbs	298 lbs	15
<b>5405-160</b>	6"	3/4"	9-3/8"	10-5/8"	14"	1940 lbs	336 lbs	10
<b>5405-180</b>	8"	7/8"	11"	12-3/8"	16-3/4"	2000 lbs	670 lbs	10
<b>5405-1100</b>	10"	7/8"	12-1/4"	13-3/4"	19-1/8"	3600 lbs	1100 lbs	3
<b>5405-1120</b>	12"	7/8"	13-5/8"	15-1/8"	21-1/2"	3800 lbs	1380 lbs	2

# CLEVIS HANGERS

Click on any Part# for additional product details



## LIGHT DUTY CLEVIS HANGERS - 5407 Series

**SIZE RANGE:** 1/2" through 4" pipe

**MATERIAL:** Carbon Steel

**FINISH:** Black  
Also available in Electro Galvanized

**ORDERING:** Specify pipe size, finish and Part Number

**APPROVALS:** FM Approved (3/4" through 8" only).  
Complies with Federal Specification  
WW-H-171E (Type 1) and Manufacturers  
Standardization Society ANSI/MSS-58  
(Type 1)

**FUNCTION:** Recommended for the suspension of  
non-insulated stationary pipe lines.

PART #	Pipe Size	PHOTO REFERENCE							Approx WT. per 100 pcs	Maximum Recommended Load (lbs.)	Carton Qty
		A	B	C	D	E	F	H			
5407-104	1/2"	3/8"	1-1/2"	2-1/2"	3-1/2"	1/4"	1-3/16"	3/4"	9 lbs	150 lbs	100
5407-106	3/4"	3/8"	1-5/8"	2-5/8"	3-1/2"	1/4"	1-3/16"	1-1/4"	9 lbs	250 lbs	100
5407-110	1"	3/8"	1-3/4"	2-3/4"	3-1/2"	1/4"	1-3/16"	1-1/2"	10 lbs	250 lbs	100
5407-112	1-1/4"	3/8"	1-7/8"	2-7/8"	3-5/8"	1/4"	1-3/16"	1-3/4"	11 lbs	250 lbs	100
5407-114	1-1/2"	3/8"	2"	3"	4"	1/4"	1-3/16"	2"	12 lbs	250 lbs	100
5407-120	2"	3/8"	2-3/8"	3-3/8"	4-3/4"	1/4"	15/16"	2-1/2"	14 lbs	250 lbs	100
5407-124	2-1/2"	1/2"	3"	4"	5-1/2"	3/8"	3/4"	3-1/4"	30 lbs	350 lbs	50
5407-130	3"	1/2"	3-5/8"	4-5/8"	6"	3/8"	1"	3-3/4"	32 lbs	350 lbs	50
5407-134	3-1/2"	1/2"	4"	5"	6-3/4"	3/8"	1-1/16"	4-1/8"	36 lbs	350 lbs	25
5407-140	4"	5/8"	4-1/4"	5-1/4"	7-1/2"	3/8"	1-3/16"	4-7/8"	44 lbs	400 lbs	25

EMAIL:  
SALES@MASTERD.US

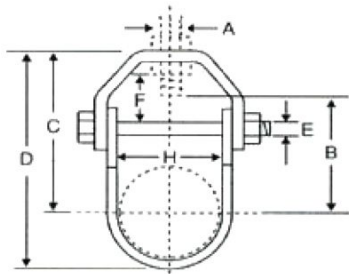
**MASTER  
DISTRIBUTION**  
An AFC Industries Company

PHONE: 330-220-3600  
FAX: 330-220-3641

25

# CLEVIS HANGERS

Click on any Part# for additional product details



## COPPER CLEVIS HANGERS - 5411 Series

**SIZE RANGE:** 1/2" through 4" pipe

**MATERIAL:** Carbon Steel

**FINISH:** Copper Plated

**ORDERING:** Specify pipe size, finish and Part Number

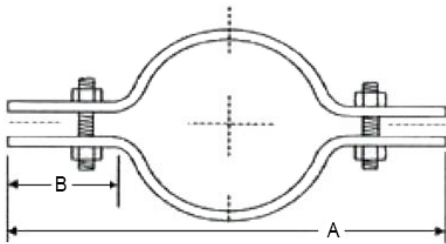
**FUNCTION:** Recommended for the suspension of copper tubing stationary pipe lines allowing for vertical adjustment

PART #	Pipe Size	PHOTO REFERENCE								Approx WT. per 100 pcs	Maximum Recommended Load (lbs.)	Carton Qty
		A	B	C	D	E	F	H				
5411-304	1/2"	3/8"	1-1/2"	2-1/2"	2-7/8"	1/4"	1-3/16"	1 1/16"	22 lbs	150 lbs	100	
5411-306	3/4"	3/8"	1-5/8"	2-5/8"	3-1/4"	1/4"	1-3/16"	3/4"	20 lbs	150 lbs	100	
5411-310	1"	3/8"	1-3/4"	2-3/4"	3-1/2"	1/4"	1-3/16"	1-1/4"	20 lbs	250 lbs	100	
5411-312	1-1/4"	3/8"	1-7/8"	2-7/8"	3-5/8"	1/4"	1-3/16"	1-1/2"	22 lbs	250 lbs	100	
5411-314	1-1/2"	3/8"	2"	3"	4"	1/4"	1-3/16"	1-3/4"	18 lbs	250 lbs	100	
5411-320	2"	3/8"	1-3/8"	3-3/8"	4-1/8"	1/4"	1-3/16"	2-3/8"	24 lbs	250 lbs	100	
5411-324	2-1/2"	1/2"	3"	4"	5"	1/4"	1-3/4"	2-3/4"	28 lbs	350 lbs	50	
5411-330	3"	1/2"	3-5/8"	4-5/8"	5-1/2"	3/8"	1-3/4"	3-3/8"	70 lbs	350 lbs		
5411-334	3-1/2"	1/2"	4"	5"	5-7/8"	3/8"	1-3/4"	4"	84 lbs	350 lbs		
5411-340	4"	5/8"	4-1/4"	5-1/4"	6-3/8"	3/8"	1-3/4"	4-1/2"	90 lbs	400 lbs		



# RISER CLAMPS

Click on any Part# for additional product details



## RISER CLAMPS IRON PIPE - 5500 Series

**SIZE RANGE:** 1/2" through 12" pipe

**MATERIAL:** Carbon Steel

**FINISH:** Black  
Also available in Electro Galvanized

**ORDERING:** Specify pipe size, finish and Part Number

**APPROVALS:** Complies with Federal Specification WW-H-171E (Type 8), also A-A-1192 (Type 8) and Manufacturers Standardization Society MSS-SP-69 (Type 8)

**FUNCTION:** Recommended for the supporting and stabilizing vertical pipe runs.

PART #	PHOTO REFERENCE			Appox WT. per 100 pcs	Maximum Recommended Load (lbs.)	Carton Qty
	Pipe Size	A	B			
<b>5500-104</b>	1/2"	9-1/2"	3-3/16"	121 lbs	255 lbs	25
<b>5500-106</b>	3/4"	9-1/2"	3-3/16"	130 lbs	255 lbs	25
<b>5500-110</b>	1"	9-3/4"	3-3/16"	134 lbs	255 lbs	25
<b>5500-112</b>	1-1/4"	10-1/4"	3-3/16"	142 lbs	255 lbs	25
<b>5500-114</b>	1-1/2"	10-1/4"	3-3/16"	150 lbs	255 lbs	25
<b>5500-120</b>	2"	11-1/2"	3-3/16"	160 lbs	255 lbs	25
<b>5500-124</b>	2-1/2"	12"	3-3/16"	190 lbs	390 lbs	25
<b>5500-130</b>	3"	13"	3-3/16"	245 lbs	530 lbs	20
<b>5500-134</b>	3-1/2"	14-1/2"	3-3/16"	260 lbs	670 lbs	
<b>5500-140</b>	4"	15"	3-3/16"	310 lbs	810 lbs	
<b>5500-150</b>	5"	16-3/4"	3-3/16"	350 lbs	1160 lbs	
<b>5500-160</b>	6"	18-1/2"	3-3/16"	380 lbs	1570 lbs	
<b>5500-180</b>	8"	22-1/4"	3-3/16"	726 lbs	2500 lbs	
<b>5500-1100</b>	10"	22"	3-3/16"	1140 lbs	2500 lbs	
<b>5500-1120</b>	12"	22-1/2"	3-3/16"	1610 lbs	2700 lbs	

# RISER CLAMPS

Click on any Part# for additional product details



## RISER CLAMPS COPPER TUBING - 5501 Series

**SIZE RANGE:** 1/2" through 4" pipe

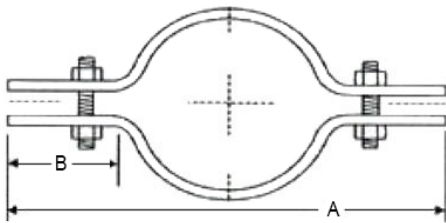
**MATERIAL:** Carbon Steel

**FINISH:** Copper Plated

**ORDERING:** Specify pipe size, finish and Part Number

**APPROVALS:** Complies with Federal Specification A-A-1192A (Type 8) and Manufacturers Standardization Society MSS-SP-69 (Type 8)

**FUNCTION:** Recommended for supporting and stabilizing vertical tubing runs.



PART #	PHOTO REFERENCE			Appox WT. per 100 pcs	Maximum Recommended Load (lbs.)	Carton Qty
	Pipe Size	A	B			
5501-304	1/2"	9-1/2"	3-3/16"	121 lbs	250 lbs	25
5501-306	3/4"	9-1/2"	3-3/16"	130 lbs	250 lbs	25
5501-310	1"	9-1/2"	3-3/16"	134 lbs	250 lbs	25
5501-312	1-1/4"	9-3/4"	3-3/16"	142 lbs	500 lbs	25
5501-314	1-1/2"	10-1/4"	3-3/16"	150 lbs	500 lbs	25
5501-320	2"	10-3/4"	3-3/16"	160 lbs	500 lbs	25
5501-324	2-1/2"	11-1/2"	3-3/16"	190 lbs	500 lbs	25
5501-330	3"	12-1/2"	3-3/16"	245 lbs	500 lbs	25
5501-334	3-1/2"	13-1/2"	3-3/16"	260 lbs	600 lbs	
5501-340	4"	14-1/2"	3-3/16"	310 lbs	600 lbs	

# RISER CLAMPS

Click on any Part# for additional product details



## RISER CLAMPS IRON PIPE PVC COATED - 5502 Series

**SIZE RANGE:** 1/2" through 12" pipe

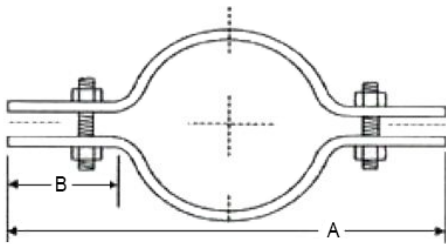
**MATERIAL:** Carbon Steel

**FINISH:** Black with PVC Coating

**ORDERING:** Specify pipe size, finish and Part Number

**APPROVALS:** Complies with Federal Specification WW-H-171E (Type 8) and Manufacturers Standardization Society MSS-SP-69 (Type 8)

**FUNCTION:** Recommended for supporting and stabilizing vertical pipe runs. The PVC Coating provides a barrier between the riser clamp and pipe.

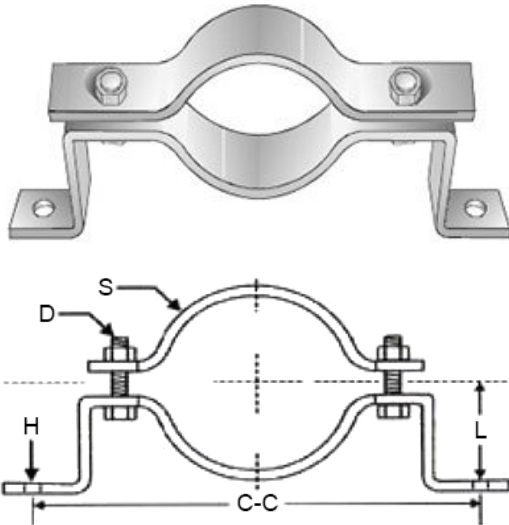


PART #	PHOTO REFERENCE			Maximum Recommended Load (lbs.)	Appox WT. per 100 pcs	Carton Qty
	Pipe Size	A	B			
<b>5502-504</b>	1/2"	9-1/2"	3-3/16"	255 lbs	121 lbs	25
<b>5502-506</b>	3/4"	9-1/2"	3-3/16"	255 lbs	130 lbs	25
<b>5502-510</b>	1"	9-3/4"	3-3/16"	255 lbs	134 lbs	25
<b>5502-512</b>	1-1/4"	10-1/4"	3-3/16"	255 lbs	142 lbs	25
<b>5502-514</b>	1-1/2"	10-3/4"	3-3/16"	255 lbs	150 lbs	25
<b>5502-520</b>	2"	11-1/2"	3-3/16"	255 lbs	160 lbs	25
<b>5502-524</b>	2-1/2"	12"	3-3/16"	390 lbs	190 lbs	25
<b>5502-530</b>	3"	13"	3-3/16"	530 lbs	245 lbs	20
<b>5502-534</b>	3-1/2"	14-1/2"	3-3/16"	670 lbs	260 lbs	
<b>5502-540</b>	4"	15"	3-3/16"	810 lbs	310 lbs	
<b>5502-550</b>	5"	16-3/4"	3-3/16"	1160 lbs	350 lbs	
<b>5502-560</b>	6"	18-1/2"	3-3/16"	1570 lbs	380 lbs	
<b>5502-580</b>	8"	22-1/4"	3-3/16"	2500 lbs	726 lbs	
<b>5502-5100</b>	10"	22"	3-3/16"	2500 lbs	1140 lbs	
<b>5502-5200</b>	12"	22-1/2"	3-3/16"	2700 lbs	1610 lbs	

# OFFSET PIPE CLAMPS

Click on any Part# for additional product details

## OFFSET PIPE CLAMPS - 5504 Series



**SIZE RANGE:** 3/4" through 12" pipe

**MATERIAL:** Carbon Steel

**FINISH:** Black

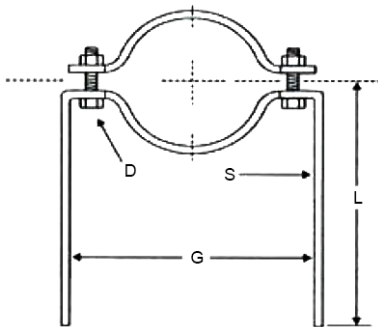
**ORDERING:** Specify rod size, pipe size and Part Number

**FUNCTION:** Designed to be used in the clamping of pipe lines at a fixed distance away from the floor or wall

PART #	Pipe Size	PHOTO REFERENCE					Maximum Recommended Load (lbs.)	Appox WT. per 100 pcs	Carton Qty
		L	C-C	D	H	S			
5504-106	3/4"	2-1/2"	4"	3/8"	7/16"	7 ga x 1-1/4"	190 lbs	87 lbs	100
5504-110	1"	2-5/8"	3-7/8"	3/8"	7/16"	7 ga x 1-1/4"	190 lbs	92 lbs	100
5504-112	1-1/4"	2-3/4"	4-3/8"	3/8"	7/16"	7 ga x 1-1/4"	190 lbs	115 lbs	100
5504-114	1-1/2"	3"	4-5/8"	3/8"	7/16"	7 ga x 1-1/4"	190 lbs	124 lbs	100
5504-120	2"	3-1/4"	4-3/4"	3/8"	7/16"	3 ga x 1-1/4"	420 lbs	156 lbs	100
5504-124	2-1/2"	3-1/2"	5-7/8"	3/8"	7/16"	3 ga x 1-1/4"	420 lbs	178 lbs	100
5504-130	3"	3-1/2"	5-7/8"	3/8"	7/16"	3 ga x 1-1/4"	420 lbs	198 lbs	100
5504-134	3-1/2"	4"	7-1/4"	1/2"	7/16"	3 ga x 1-1/4"	420 lbs	245 lbs	100
5504-140	4"	4-1/4"	9"	1/2"	9/16"	3 ga x 1-1/2"	610 lbs	300 lbs	50
5504-150	5"	4-3/4"	9-5/8"	1/2"	9/16"	3 ga x 1-1/2"	610 lbs	350 lbs	25
5504-160	6"	5-1/4"	11-1/4"	1/2"	9/16"	3 ga x 1-1/2"	870 lbs	650 lbs	25
5504-180	8"	6-1/4"	12-1/4"	1/2"	9/16"	3 ga x 1-1/2"	870 lbs	790 lbs	25
5504-1100	10"	7-3/4"	13-1/4"	5/8"	11/16"	3/8" x 2"	870 lbs	1270 lbs	25
5504-1120	12"	8-7/8"	14-1/4"	5/8"	11/16"	3/8" x 2"	870 lbs	2120 lbs	20

# EXTENDED PIPE CLAMPS

Click on any Part# for additional product details



## EXTENDED PIPE CLAMPS - 5505 Series

**SIZE RANGE:** 3/4" through 8" pipe

**MATERIAL:** Carbon Steel

**FINISH:** Black

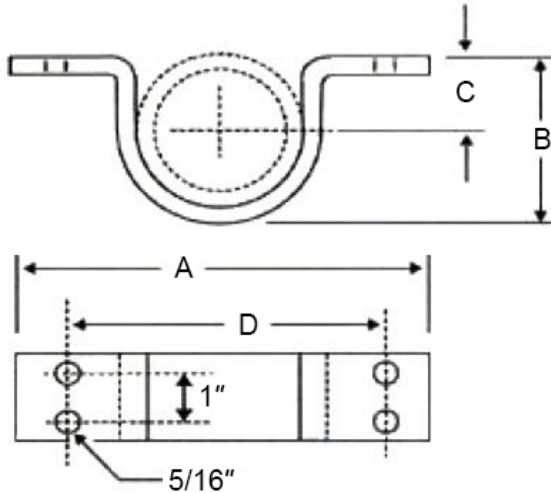
**ORDERING:** Specify pipe size, finish and Part Number

**FUNCTION:** Designed for direct welding of hanger to steel structure

PART #	Pipe Size	PHOTO REFERENCE				Approx WT. per 100 pcs
		L	D	G	S	
5505-106	3/4"	12"	3/8"	4-1/8"	7 ga x 1-1/4"	182 lbs
5505-110	1"	12"	3/8"	4-1/4"	7 ga x 1-1/4"	225 lbs
5505-112	1-1/4"	12"	3/8"	4-3/4"	7 ga x 1-1/4"	239 lbs
5505-114	1-1/2"	12"	3/8"	5"	7 ga x 1-1/4"	244 lbs
5505-120	2"	12"	3/8"	6"	3 ga x 1-1/4"	319 lbs
5505-124	2-1/2"	12"	3/8"	6-1/2"	3 ga x 1-1/4"	334 lbs
5505-130	3"	12"	3/8"	7"	3 ga x 1-1/4"	354 lbs
5505-140	4"	12"	1/2"	9"	3 ga x 1-1/2"	475 lbs
5505-150	5"	12"	1/2"	10-1/8"	3 ga x 1-1/2"	475 lbs
5505-160	6"	12"	1/2"	12"	3 ga x 2"	838 lbs
5505-180	8"	12"	1/2"	14-1/8"	3/8" x 1-1/2"	925 lbs

# SHORT PIPE STRAPS

Click on any Part# for additional product details



## SHORT PIPE STRAP - 5507 Series

**SIZE RANGE:** 1/2" through 4" pipe sizes

**MATERIAL:** Low Carbon Steel

**FINISH:** Black

**ORDERING:** Specify finish, Part Number and pipe size

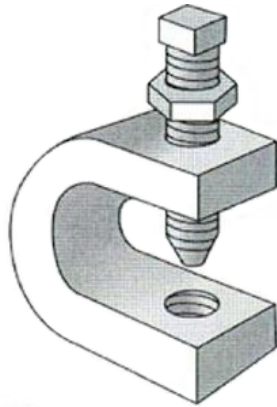
**APPROVALS:** Complies with Federal Specifications A-A 1192A (Type 26) and Manufacturers' Standardization Society SP-69 (Type 26)

**FUNCTION:** Designed to hold piping flush with the adjacent surface. Sizes 1/2" to 2" are furnished with two screw holes. Sizes 2-1/2" to 4" are furnished with four screw holes.

PART #	Pipe Size	PHOTO REFERENCE				Material	Maximum Recommended Load (lbs.)	Appox WT. per 100 pcs	Carton Quantity
		A	B	C	D				
5507-104	1/2"	3-7/8"	15/16"	5/16"	2-7/8"	11 ga x 1-1/4"	300 lbs	25 lbs	50
5507-106	3/4"	4"	1-1/8"	7/16"	3"	11 ga x 1-1/4"	300 lbs	27 lbs	50
5507-110	1"	4-1/4"	1-3/8"	9/16"	3-1/4"	11 ga x 1-1/4"	300 lbs	29 lbs	50
5507-112	1-1/4"	4-5/8"	1-5/8"	11/16"	3-5/8"	11 ga x 1-1/4"	300 lbs	33 lbs	25
5507-114	1-1/2"	5"	2"	13/16"	4"	11 ga x 1-1/4"	300 lbs	35 lbs	25
5507-120	2"	5-1/2"	2-1/4"	15/16"	4-1/2"	11 ga x 1-1/4"	300 lbs	41 lbs	25
5507-124	2-1/2"	6"	2-7/8"	1-1/8"	5"	11 ga x 1-1/4"	500 lbs	89 lbs	25
5507-130	3"	6-5/8"	3-1/2"	1-1/2"	5-5/8"	11 ga x 1-1/4"	500 lbs	106 lbs	25
5507-134	3-1/2"	7-1/8"	4"	1-3/4"	6-1/8"	11 ga x 1-1/4"	500 lbs	123 lbs	25
5507-140	4"	8-3/8"	4-1/2"	2"	7-1/8"	11 ga x 1-1/4"	500 lbs	158 lbs	25

# SUPER C-CLAMPS

Click on any Part# for additional product details



## "SUPER" STEEL "C" CLAMP - 5540 Series

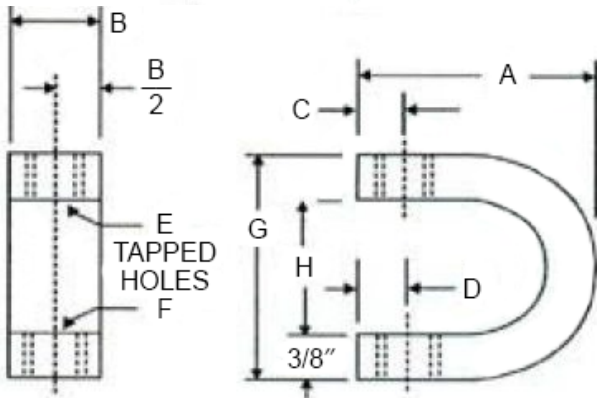
**SIZE RANGE:** 3/8" through 1/2" rod size

**MATERIAL:** Steel, furnished with hardened steel set screw and locknut

**FINISH:** Electro-Plated Zinc

**ORDERING:** Specify rod size, finish and Part Number

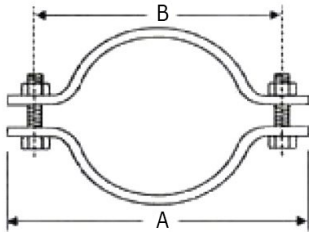
**FUNCTION:** Recommended for use with large-lip rolled steel purlins ("Z" purlins)



PART #	PHOTO REFERENCE								Maximum Recommended Load (lbs.)	Max Pipe Size
	A	B	C	D	E	F	G	H		
<b>5540A</b>	1-9/16"	3/4"	5/16"	5/16"	3/8"	3/8"	1-3/8"	5/8"	1500 lbs	4"
<b>5541A</b>	1-5/8"	1-1/4"	5/16"	3/8"	3/8"	1/2"	1-3/8"	5/8"	4050 lbs	8"
<b>5547A</b>	1-1/2"	3/4"	5/16"	5/16"	3/8"	3/8"	1-5/8"	7/8"	1500 lbs	4"
<b>5548A</b>	1-9/16"	1-1/2"	7/16"	7/16"	1/2"	1/2"	1-5/8"	7/8"	4050 lbs	8"

# SINGLE BOLT PIPE CLAMPS

Click on any Part# for additional product details



## SINGLE BOLT PIPE CLAMPS - 5550 Series

**SIZE RANGE:** 1/2" through 30" pipe

**MATERIAL:** Carbon Steel

**FINISH:** Black

**ORDERING:** Specify pipe size, finish and Part Number

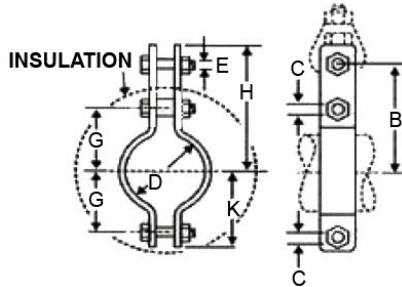
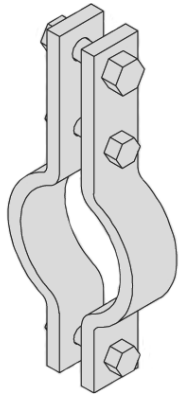
**FUNCTION:** Recommended for the support and stabilizing of vertical pipe runs. Overall length is less than a riser clamp

PART #	Pipe Size	PHOTO REFERENCE				Maximum Recommended Load (lbs.)		Approx WT. per 100 pcs	Carton Qty
		A	B	Bolt Size	Material	650 F	750 F		
5550-104	1/2"	3-1/8"	2-1/8"	3/8"	11 ga x 1"	500	445	31 lbs	25
5550-106	3/4"	3-1/2"	2-1/2"	3/8"	11 ga x 1"	500	445	35 lbs	25
5550-110	1"	3-3/4"	2-3/4"	3/8"	11 ga x 1"	500	445	39 lbs	25
5550-112	1-1/4"	4-1/4"	3-1/4"	3/8"	11 ga x 1"	500	445	40 lbs	25
5550-114	1-1/2"	4-1/2"	3-1/2"	3/8"	11 ga x 1"	800	715	45 lbs	25
5550-120	2"	5-1/4"	4-1/4"	1/2"	3 ga x 1"	1040	930	123 lbs	25
5550-124	2-1/2"	6-1/4"	5-1/4"	1/2"	3 ga x 1"	1040	930	133 lbs	20
5550-130	3"	7"	6"	1/2"	3 ga x 1"	1040	930	153 lbs	10
5550-134	3-1/2"	7-3/8"	6-3/8"	1/2"	3 ga x 1"	1040	930	168 lbs	10
5550-140	4"	8-1/8"	6-7/8"	5/8"	3 ga x 1-1/4"	1040	930	186 lbs	
5550-150	5"	9-7/8"	8-5/8"	5/8"	3 ga x 1-1/4"	1040	930	213 lbs	
5550-160	6"	11-1/2"	9-3/4"	3/4"	3/8" x 1-1/2"	1615	1440	506 lbs	
5550-180	8"	14"	12"	3/4"	3/8" x 1-1/2"	1615	1440	608 lbs	
5550-1100	10"	17-1/8"	15-1/8"	7/8"	1/2" x 2"	2490	2220	1281 lbs	
5550-1120	12"	19-3/4"	17-3/4"	7/8"	1/2" x 2"	2490	2220	1308 lbs	
5550-1140	14"	22-5/8"	19-1/4"	7/8"	1/2" x 2"	2490	2220	1670 lbs	
5550-1160	16"	25-1/4"	19-7/8"	7/8"	1/2" x 2-1/2"	2490	2220	2319 lbs	
5550-1180	18"	26-3/4"	21-3/4"	1"	5/8" x 2-1/2"	3060	2730	3312 lbs	
5550-1200	20"	28-5/8"	25-1/8"	1-1/8"	5/8" x 2-1/2"	3060	2730	3866 lbs	
5550-1240	24"	34-1/2"	31"	1-1/4"	5/8" x 3"	3060	2730	5227 lbs	
5550-1300	30"	41-3/4"	37-1/4"	1-1/2"	3/4" x 4"	4000	3520	10513 lbs	



# DOUBLE BOLT PIPE CLAMPS

Click on any Part# for additional product details



## DOUBLE BOLT PIPE CLAMPS - 5560 Series

**SIZE RANGE:** 3/4" through 36" pipe

**MATERIAL:** Carbon Steel

**FINISH:** Black

**ORDERING:** Specify pipe size, finish and Part Number

**FUNCTION:** Recommended for the suspension of insulated pipe lines normally used with weldless eye nuts

PART #	Pipe Size	PHOTO REFERENCE							Maximum Recommended Load (lbs.)		Approx WT. per 100 pcs
		B	C Bolt Size	D	E Bolt Size	G	H	K	650 F	750 F	
		5560-106	3/4"	2-3/4"	3/8"	1"	3/8"	1-3/8"	3-1/2"	2"	
5560-110	1"	2-7/8"	3/8"	1-1/4"	3/8"	1-3/8"	3-1/2"	2"	950 lbs	850 lbs	102 lbs
5560-112	1-1/4"	3"	3/8"	1-5/8"	3/8"	1-1/2"	3-1/2"	2"	950 lbs	850 lbs	107 lbs
5560-114	1-1/2"	4-5/8"	1/2"	2"	5/8"	2"	5-1/4"	2-5/8"	1545 lbs	1380 lbs	230 lbs
5560-120	2"	4-3/4"	1/2"	2-3/8"	5/8"	2-1/8"	5-3/8"	2-3/4"	1545 lbs	1380 lbs	260 lbs
5560-124	2-1/2"	5"	1/2"	2-7/8"	5/8"	2-1/2"	5-3/8"	3"	1545 lbs	1380 lbs	271 lbs
5560-130	3"	5-3/8"	1/2"	3-1/2"	5/8"	2-3/4"	6"	3-3/8"	1545 lbs	1380 lbs	303 lbs
5560-134	3-1/2"	5-5/8"	1/2"	4"	5/8"	3"	6-1/4"	3-5/8"	1545 lbs	1380 lbs	328 lbs
5560-140	4"	7"	5/8"	4-1/2"	3/4"	4"	8"	5"	2500 lbs	2230 lbs	667 lbs
5560-150	5"	7-5/8"	5/8"	5-1/2"	3/4"	4-5/8"	8-5/8"	5-5/8"	2500 lbs	2230 lbs	705 lbs
5560-160	6"	8-5/8"	3/4"	6-5/8"	7/8"	5-1/8"	9-7/8"	6-3/8"	2865 lbs	2555 lbs	1145 lbs
5560-180	8"	9-7/8"	3/4"	8-5/8"	7/8"	6-3/8"	11-1/8"	7-5/8"	2865 lbs	2555 lbs	1315 lbs
5560-1100	10"	11-1/8"	7/8"	10-3/4"	1"	7-5/8"	12-3/8"	8-7/8"	3240 lbs	2890 lbs	1980 lbs
5560-1120	12"	12-1/2"	7/8"	12-3/4"	1"	9"	13-3/4"	10-1/4"	3240 lbs	2890 lbs	2225 lbs
5560-1140	14"	13-1/2"	7/8"	14"	1-1/4"	10"	15"	11-1/2"	4300 lbs	3835 lbs	3768 lbs
5560-1160	16"	14-1/4"	7/8"	16"	1-1/4"	10-5/8"	15-3/4"	12-1/8"	4300 lbs	3835 lbs	4140 lbs
5560-1180	18"	15-1/2"	1"	18"	1-3/8"	11-3/4"	16-5/8"	13-1/4"	4300 lbs	3835 lbs	4487 lbs
5560-1200	20"	16-1/2"	1-1/4"	20"	1-3/8"	13"	18"	14-1/2"	5490 lbs	4900 lbs	5725 lbs
5560-1240	24"	18-3/4"	1-1/4"	24"	1-3/8"	15-1/4"	20-1/4"	16-3/4"	4500 lbs	4015 lbs	6590 lbs
5560-1300	30"	23"	1-3/8"	30"	1-3/8"	19"	26"	22"	8000 lbs		19502 lbs
5560-1360	36"	28-7/8"	1-3/8"	36"	1-3/4"	22-1/8"	32-3/8"	25-5/8"	8000 lbs		23488 lbs

EMAIL:  
SALES@MASTERD.US

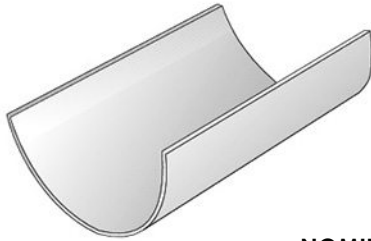
**MASTER**  
**DISTRIBUTION**  
An AFC Industries Company

PHONE: 330-220-3600  
FAX: 330-220-3641

35

# PROTECTION SHIELDS

Click on any Part# for additional product details



## INSULATION PROTECTION SHIELDS - 5590 Series

**SIZE RANGE:** Sizes 0 through 20

**MATERIAL:** Carbon Steel

**FINISH:** Pre-Galvanized

**ORDERING:** Specify shield size, part number, pipe size and insulation thickness

**FUNCTION:** Design to protect pipe insulation from crushing when used with hangers

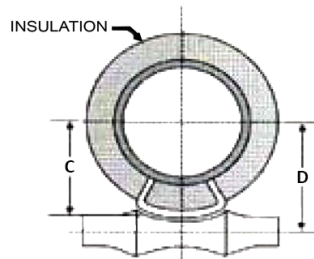
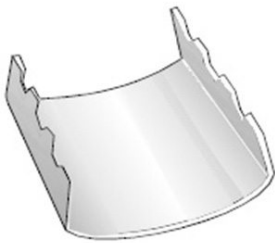
		NOMINAL PIPE SIZE														
		1/2'	3/4'	1"	1-1/4'	1-1/2'	2'	2-1/2'	3'	3-1/2'	4'	5'	6'	8'	10'	12'
INSULATION THICKNESS	1/2'	0	1	1	2	2	3	4	5							
	3/4'	1	1	2	3	3	4	5	6							
	1"		2	3	3	4	5	6	7	8	8	11	12	14	16	18
	1-1/2"		4	5	6	6	7	7	8	9	9	12	13	15	17	19
	2"		4	5	6	6	7	7	8	9	9	12	13	15	17	19

PART #	Shield Size	PHOTO REFERENCE			Material	Appox WT. per 100 pcs
		Shield I.D.	Maximum O.D. of Insulation	Length		
5590-2017	0	1-7/8"	1.9"	12"	18 ga	45 lbs
5590-2023	1	2-3/8"	2.4"	12"	18 ga	66 lbs
5590-2027	2	2-7/8"	2.9"	12"	18 ga	78 lbs
5590-2034	3	3-1/2"	3.5"	12"	18 ga	98 lbs
5590-2040	4	4"	4.0"	12"	18 ga	109 lbs
5590-2044	5	4-1/2"	4.5"	12"	18 ga	122 lbs
5590-2050	6	5"	5.0"	12"	18 ga	142 lbs
5590-2054	7	5-1/2"	5.6"	12"	18 ga	155 lbs
5590-2065	8	6-5/8"	6.7"	12"	16 ga	172 lbs
5590-2075	9	7-5/8"	7.7"	12"	16 ga	188 lbs
5590-2085	10	8-5/8"	8.7"	12"	16 ga	210 lbs
5590-2075A	11	7-5/8"	7.7"	18"	16 ga	221 lbs
5590-2085A	12	8-5/8"	8.7"	18"	16 ga	232 lbs
5590-2095	12	9-5/8"	9.7"	18"	16 ga	247 lbs
5590-2106	14	10-3/4"	10.8"	18"	16 ga	288 lbs
5590-2116	15	11-3/4"	11.8"	24"	14 ga	305 lbs
5590-2126	16	12-3/4"	12.8"	24"	14 ga	320 lbs
5590-2140	17	14"	14.0"	24"	14 ga	390 lbs
5590-2150	18	15"	15.0"	24"	14 ga	410 lbs
5590-2160	19	16"	16.0"	24"	14 ga	450 lbs
5590-2170	20	17"	17.0"	24"	14 ga	505 lbs

# PROTECTION SADDLES

Click on any Part# for additional product details

## PIPE COVERING PROTECTION SADDLES - 5595 Series



**SIZE RANGE:** 3/4" through 24" pipe sizes

**MATERIAL:** Carbon Steel

**FINISH:** Plain

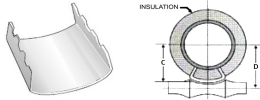
**ORDERING:** Specify finish, part number and pipe size

**FUNCTION:** Recommended for the suspension of insulated pipe lines normally used with weldless eye nut

PART #	Pipe Size	Actual Thickness of Covering	Hanger Roller Size		Center Line of Pipe to Center Line of Saddle, "C"	Center Line of Pipe to Center Line of Roller, "D"	Approx WT. per 100 pcs	Maximum Recommended Load (lbs.)
			PART # 5603	PART # 5601				
5595-0706	3/4"	7/8"	2"	2-1/2"	1-9/16"	1-15/16"	93 lbs	1200 lbs
5590-1306	3/4"	1-7/16"	3"	3-1/2"	2-1/8"	2-5/8"	174 lbs	1200 lbs
5595-2006	3/4"	2-1/16"	4"	5"	2-3/4"	3-3/8"	260 lbs	1200 lbs
5595-1010	1"	1-1/16"	2-1/2"	3"	1-13/16"	2-1/4"	93 lbs	1200 lbs
5595-1410	1"	1-9/16"	3"	4"	2-7/16"	2-15/16"	174 lbs	1200 lbs
5595-2010	1"	2-1/8"	4"	5"	2-7/8"	3-1/2"	260 lbs	1200 lbs
5595-0712	1-1/4"	7/8"	2-1/2"	3"	1-15/16"	2-1/2"	132 lbs	1200 lbs
5595-1512	1-1/4"	1-5/8"	3-1/2"	5"	2-9/16"	3-1/8"	182 lbs	1200 lbs
5595-2012	1-1/4"	2-1/16"	5"	5"	3-1/16"	3-11/16"	260 lbs	1200 lbs
5595-1014	1-1/2"	1"	3"	3-1/2"	2-1/8"	2-5/8"	132 lbs	1200 lbs
5595-1414	1-1/2"	1-1/2"	3-1/2"	5"	2-11/16"	3-1/4"	182 lbs	1200 lbs
5595-2214	1-1/2"	2-5/16"	5"	6"	3-7/16"	4-1/8"	275 lbs	1800 lbs
5595-2614	1-1/2"	2-13/16"	7"	7"	3-13/16"	4-5/8"	301 lbs	1800 lbs
5595-1020	2"	1-1/16"	3-1/2"	4"	2-7/16"	3"	134 lbs	1200 lbs
5595-1420	2"	1-9/16"	4"	5"	2-7/8"	3-1/2"	198 lbs	1200 lbs
5595-2020	2"	2-1/8"	5"	6"	3-11/16"	4-3/8"	280 lbs	1800 lbs
5595-2520	2"	2-5/8"	7"	7"	3-15/16"	4-3/4"	318 lbs	1800 lbs
5595-3120	2"	3-1/8"	8"	8"	4-11/16"	5-1/2"	397 lbs	1800 lbs
5595-1024	2-1/2"	1-1/16"	3-1/2"	5"	2-11/16"	3-1/4"	134 lbs	1200 lbs
5595-1724	2-1/2"	1-7/8"	5"	6"	3-3/4"	4-1/8"	198 lbs	1800 lbs
5595-2224	2-1/2"	2-5/16"	6"	7"	3-15/16"	4-5/8"	280 lbs	1800 lbs
5595-2724	2-1/2"	2-7/8"	7"	7"	4-7/16"	5-1/4"	320 lbs	1800 lbs
5595-3324	2-1/2"	3-3/8"	8"	10"	4-15/16"	5-3/4"	398 lbs	1800 lbs

# PROTECTION SADDLES

Click on any Part# for additional product details

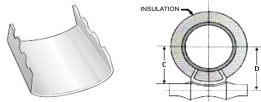


## PIPE COVERING PROTECTION SADDLES - 5595 Series

PART #	Pipe Size	Actual Thickness of Covering	Hanger Roller Size		Center Line of Pipe to Center Line of Saddle, "C"	Center Line of Pipe to Center Line of Roller, "D"	Approx WT. per 100 pcs	Maximum Recommended Load (lbs.)
			PART # 5603	PART # 5601				
5595-1030	3"	1"	4"	5"	2-15/16"	3-1/2"	148 lbs	1200 lbs
5590-1430	3"	1-9/16"	5"	6"	3-1/2"	4-3/16"	208 lbs	1800 lbs
5595-2030	3"	2-1/16"	7"	7"	4-1/8"	4-7/8"	290 lbs	1800 lbs
5595-2430	3"	2-9/16"	8"	8"	4-11/16"	5-3/8"	301lbs	1800 lbs
5595-3030	3"	3-1/16"	10"	10"	5"	5-15/16"	449 lbs	1800 lbs
5595-1234	3-1/2"	1-1/4"	5"	6"	3-7/16"	4"	148 lbs	1200 lbs
5595-1634	3-1/2"	1-13/16"	7"	7"	4"	4-11/16"	208 lbs	1800 lbs
5595-2234	3-1/2"	2-1/4"	8"	8"	4-3/8"	5-3/16"	290 lbs	1800 lbs
5595-2634	3-1/2"	2-3/4"	8"	10"	4-13/16"	5-3/4"	343 lbs	1800 lbs
5595-3234	3-1/2"	3-5/16"	10"	10"	5-1/2"	6-7/16"	449 lbs	1800 lbs
5595-1040	4"	1-1/16"	5"	6"	3-9/16"	4-3/16"	158 lbs	1800 lbs
5595-1440	4"	1-9/16"	7"	7"	3-7/8"	4-11/16"	214 lbs	1800 lbs
5595-2040	4"	2-1/16"	8"	8"	4-11/16"	5-1/4"	295 lbs	1800 lbs
5595-2440	4"	2-9/16"	8"	10"	5-1/8"	6-1/16"	343 lbs	1800 lbs
5595-3040	4"	3-1/16"	10"	10"	5-9/16"	6-1/4"	449 lbs	1800 lbs
5595-1050	5"	1"	7"	7"	4-1/8"	4-13/16"	262 lbs	1800 lbs
5595-1450	5"	1-1/2"	8"	8"	4-1/2"	5-5/16"	330 lbs	1800 lbs
5595-2050	5"	2"	8"	10"	4-15/16"	5-7/8"	345 lbs	1800 lbs
5595-2450	5"	2-9/16"	10"	12"	5-9/16"	6-1/2"	685 lbs	1800 lbs
5595-3050	5"	3-1/16"	10"	12"	6-1/8"	7-1/16"	449 lbs	1800 lbs
5595-4150	5"	4-3/16"	12"	14"	7-3/16"	8-1/4"	609 lbs	1800 lbs
5595-1060	6"	1"	8"	8"	4-9/16"	5-3/8"	382 lbs	1800 lbs
5595-1460	6"	1-1/2"	8"	10"	5-1/16"	5-7/8"	428 lbs	1800 lbs
5595-2060	6"	2"	10"	12"	5-1/2"	6-1/2"	540 lbs	1800 lbs
5595-2460	6"	2-1/2"	10"	12"	6-1/16"	7-1/16"	685 lbs	1200 lbs
5595-3060	6"	3"	12"	12"	6-9/16"	7-5/8"	769 lbs	1800 lbs
5595-4160	6"	4-1/8"	14"	16"	7-5/8"	9-1/8"	1024 lbs	1800 lbs
5595-1480	8"	1-1/2"	10"	12"	6"	7-1/8"	582 lbs	1800 lbs
5590-2080	8"	2"	12"	12"	6-1/2"	7-5/8"	641 lbs	1800 lbs
5595-2580	8"	2-11/16"	12"	14"	7-1/4"	8-5/16"	721 lbs	1800 lbs
5595-3180	8"	3-1/8"	14"	16"	7-5/8"	9-1/8"	914 lbs	1800 lbs
5595-4180	8"	4-1/8"	16"	18"	8-11/16"	10-1/8"	1024 lbs	1800 lbs

# PROTECTION SADDLES

Click on any Part# for additional product details



## PIPE COVERING PROTECTION SADDLES - 5595 Series

PART #	Pipe Size	Actual Thickness of Covering	Hanger Roller Size		Center Line of Pipe to Center Line of Saddle, "C"	Center Line of Pipe to Center Line of Roller, "D"	Approx WT. per 100 pcs	Maximum Recommended Load (lbs.)
			PART # 5603	PART # 5601				
5595-14100	10	1-9/16"	12"	14"	7-1/4"	8-5/16"	666 lbs	1800 lbs
5595-20100	10	2-1/16"	14"	16"	7-5/8"	9-1/16"	857 lbs	1800 lbs
5595-24100	10	2-9/16"	14"	16"	8-3/16"	9-5/8"	891 lbs	1800 lbs
5595-30100	10	3-1/16"	16"	18"	8-7/8"	10-1/4"	1110 lbs	1800 lbs
5595-40100	10	4-1/16"	18"	20"	9-11/16"	11-5/16"	1410 lbs	1800 lbs
5595-14120	12	1-1/2"	14"	16"	8-1/8"	9-5/8"	761 lbs	5000 lbs
5595-20120	12	2-1/16"	16"	18"	8-13/16"	10-3/16"	873 lbs	5000 lbs
5595-25120	12	2-5/8"	16"	18"	9-1/8"	10-11/16"	969 lbs	5000 lbs
5595-30120	12	3-1/16"	18"	20"	9-11/16"	11-5/16"	1138 lbs	5000 lbs
5595-41120	12	4-1/8"	20"	-	10-13/16"	12-3/8"	1420 lbs	5000 lbs
5595-14140	14	1-1/2"	16"	18"	8-7/8"	10-3/16"	767 lbs	5000 lbs
5595-20140	14	2"	16"	18"	9-1/4"	10-3/4"	943 lbs	5000 lbs
5595-24140	14	2-1/2"	18"	20"	9-3/4"	11-5/16"	969 lbs	5000 lbs
5595-30140	14	3"	18"	20"	10-1/4"	11-7/8"	1182 lbs	5000 lbs
5595-40140	14	4"	20"	-	11-7/16"	13-1/8"	1848 lbs	7200 lbs
5595-14160	16	1-1/2"	18"	20"	9-7/8"	11-3/8"	835 lbs	5000 lbs
5595-20160	16	2"	18"	20"	10-1/4"	11-7/8"	1000 lbs	5000 lbs
5595-24160	16	2-1/2"	20"	-	10-7/8"	12-7/16"	1462 lbs	7200 lbs
5595-30160	16	3"	24"	-	11-3/16"	13-1/8"	1817 lbs	7200 lbs
5595-40160	16	4"	24"	-	12-5/16"	14-3/16"	2180 lbs	7200 lbs
5595-14180	18	1-1/2"	20"	-	10-7/8"	12-1/2"	892 lbs	5000 lbs
5595-20180	18	2"	20"	-	11-1/2"	13-1/16"	1319 lbs	7200 lbs
5595-24180	18	2-1/2"	24"	-	12"	13-5/16"	1689 lbs	7200 lbs
5595-30180	18	3"	24"	-	12-5/16"	14-1/4"	1820 lbs	7200 lbs
5595-40180	18	4"	24"	-	13-1/2"	15-7/16"	2195 lbs	7200 lbs
5595-14200	20	1-1/2"	24"	-	11-3/4"	13-11/16"	1376 lbs	7200 lbs
5595-20200	20	2"	24"	-	12-5/16"	14-1/4"	1498 lbs	7200 lbs
5595-24200	20	2-1/2"	24"	-	12-7/8"	14-13/16"	1679 lbs	7200 lbs
5595-30200	20	3"	24"	-	13-1/2"	15-1/2"	1840 lbs	7200 lbs
5595-40200	20	4"	30"	-	14-3/16"	16-5/8"	2283 lbs	7200 lbs
5595-14240	24	1-1/2"	30"	-	13-5/8"	16-1/16"	1605 lbs	7200 lbs

EMAIL:  
SALES@MASTERD.US

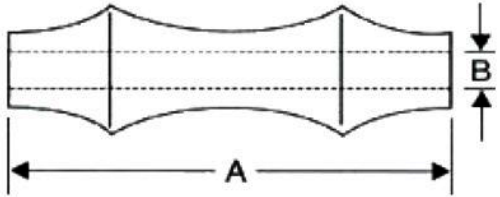
**MASTER**  
**DISTRIBUTION**  
An AFC Industries Company

PHONE: 330-220-3600  
FAX: 330-220-3641

39

# CAST IRON PIPE ROLLERS

Click on any Part# for additional product details



## CAST IRON PIPE ROLLERS - 5600 Series

**SIZE RANGE:** 2" through 20" pipe

**MATERIAL:** Carbon Steel

**FINISH:** Black

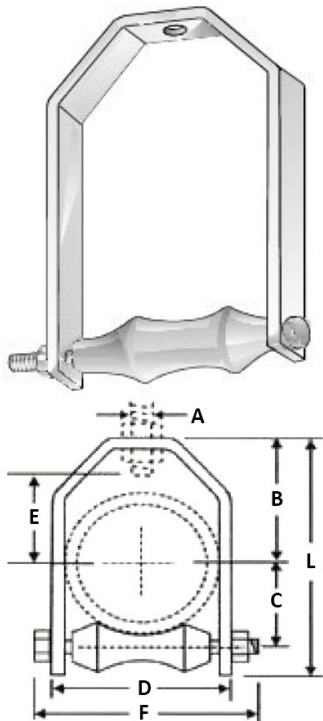
**ORDERING:** Specify pipe size, finish and Part Number

**FUNCTION:** Designed for pipe lines where horizontal movement may take place due to expansion and contraction

PART #	PHOTO REFERENCE			Approx WT. per Carton
	Max Pipe Size	A	B	
5600-120	2"	2-5/8"	3/8"	40 lbs
5600-124	2-1/2"	3-1/8"	1/2"	70 lbs
5600-130	3"	3-3/4"	1/2"	77 lbs
5600-134	3-1/2"	4-1/4"	1/2"	95 lbs
5600-140	4"	4-3/4"	1/2"	116 lbs
5600-150	5"	5-3/4"	5/8"	179 lbs
5600-160	6"	6-7/8"	3/4"	312 lbs
5600-180	8"	8-7/8"	7/8"	500 lbs
5600-1100	10"	11"	7/8"	665 lbs
5600-1120	12"	13"	7/8"	779 lbs
5600-1140	14"	14-1/4"	1-1/8"	1698 lbs
5600-1160	16"	16-1/4"	1-1/4"	2230 lbs
5600-1180	18"	18-1/4"	1-1/4"	2485 lbs
5600-1200	20"	20-1/4"	1-1/4"	3290 lbs

# ADJUSTABLE ROLLER HANGERS

Click on any Part# for additional product details



## ADJUSTABLE ROLLER HANGERS - 5601 Series

**SIZE RANGE:** 2" through 20" pipe

**MATERIAL:** Carbon Steel Yoke and Cast Iron Roller

**FINISH:** Black  
Also available in Electro Galvanized and Primed

**ORDERING:** Specify pipe size, finish and Part Number

**FUNCTION:** For suspension of pipe lines where horizontal movement may occur due to expansion and contraction

PART #	Pipe Size	PHOTO REFERENCE							Approx WT. per 100 pcs	Maximum Recommended Load (lbs.)	Carton Qty
		A	B	C	D	E	F	L			
5601-120	2"	1/2"	4"	1-5/8"	2-5/8"	3"	4-1/4"	6-1/2"	135 lbs	280 lbs	
5601-124	2-1/2"	1/2"	3-7/8"	2"	3-3/8"	2-3/4"	4-3/8"	6-5/8"	175 lbs	280 lbs	
5601-130	3"	1/2"	4-3/8"	2-1/4"	3-3/4"	3-3/8"	5-1/2"	7-1/4"	200 lbs	310 lbs	
5601-134	3-1/2"	1/2"	4-5/8"	2-1/2"	4-1/4"	3-5/8"	6"	8"	260 lbs	390 lbs	
5601-140	4"	5/8"	4-3/4"	2-3/4"	4-7/8"	3-3/4"	6-1/2"	8-1/2"	300 lbs	475 lbs	
5601-150	5"	5/8"	5-7/8"	3-3/8"	5-7/8"	4-1/4"	8"	9-7/8"	512 lbs	685 lbs	
5601-160	6"	3/4"	5-7/8"	4"	7"	4-1/4"	9"	11-3/8"	650 lbs	780 lbs	
5601-180	8"	7/8"	7-1/4"	5-1/8"	9"	5-1/2"	12"	13-3/4"	1200 lbs	780 lbs	
5601-1100	10"	7/8"	9"	6-3/8"	11"	6-7/8"	14-1/4"	17"	1715 lbs	965 lbs	
5601-1120	12"	7/8"	9-5/8"	7-3/8"	13"	7-7/8"	17"	18-7/8"	2750 lbs	965 lbs	
5601-1140	14"	1"	11-1/4"	8-3/8"	14-1/4"	9-1/4"	18-1/2"	21-7/8"	3600 lbs	1200 lbs	
5601-1160	16"	1"	12-1/4"	9-3/8"	16-1/4"	10-1/4"	20"	24-1/8"	4945 lbs	1200 lbs	
5601-1180	18"	1"	13-1/4"	10-1/2"	18-1/4"	11-1/4"	22"	26-1/2"	5535 lbs	1400 lbs	
5601-1200	20"	1"	14-1/4"	11-5/8"	20-1/4"	12-1/4"	24"	28-1/8"	6335 lbs	1600 lbs	

EMAIL:  
SALES@MASTERD.US

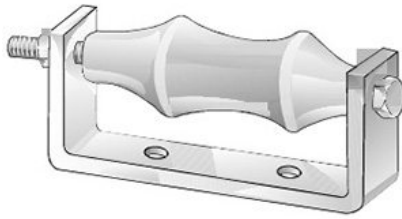
**MASTER**  
**DISTRIBUTION**  
An AFC Industries Company

PHONE: 330-220-3600  
FAX: 330-220-3641

41

# ROLLER SUPPORTS CHAIR TYPE

Click on any Part# for additional product details



## ROLLER SUPPORTS CHAIR TYPE - 5602 Series

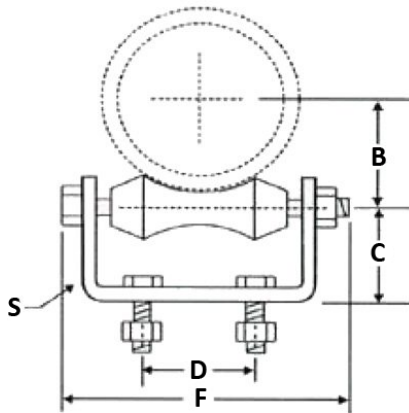
**SIZE RANGE:** 2" through 24" pipe

**MATERIAL:** Cast Iron Roller, Carbon Steel Chair and Hardware

**FINISH:** Black

**ORDERING:** Specify pipe size, rod size, finish and Part Number

**FUNCTION:** Pipe support designed for pipe lines where horizontal movement may take place due to expansion and contraction

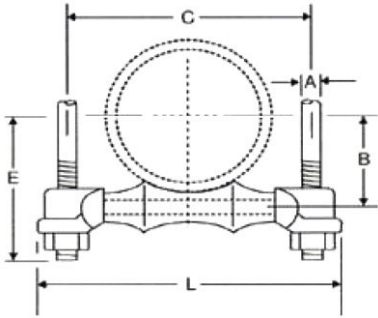


PART #	Pipe Size	PHOTO REFERENCE					Approx WT. per 100 pcs	Maximum Recommended Load (lbs.)
		B	C	D	F	S		
5602-120	2"	1-5/8"	1-1/2"	1-1/4"	3-7/8"	3 ga x 1-1/4"	106 lbs	390 lbs
5602-124	2-1/2"	2"	1-5/8"	1-1/4"	5"	3 ga x 1-1/4"	144 lbs	390 lbs
5602-130	3"	2-1/4"	1-3/4"	2"	5-3/8"	3 ga x 1-1/4"	163 lbs	390 lbs
5602-134	3-1/2"	2-5/8"	2"	2"	6-1/4"	3/8" x 1-1/2"	252 lbs	390 lbs
5602-140	4"	2-3/4"	2-1/4"	2"	6-3/4"	3/8" x 1-1/2"	288 lbs	950 lbs
5602-150	5"	3-1/2"	2-1/2"	3"	8"	3/8" x 1-1/2"	400 lbs	950 lbs
5602-160	6"	4"	2-3/4"	3-1/4"	9-1/8"	3/8" x 2"	625 lbs	950 lbs
5602-180	8"	5-1/8"	3"	3-3/8"	11-1/2"	3/8" x 2"	731 lbs	1350 lbs
5602-1100	10"	6-3/8"	3-5/8"	5-1/4"	14-1/4"	1/2" x 2"	1158 lbs	1750 lbs
5602-1120	12"	7-1/2"	4-1/8"	5-1/2"	16-1/4"	1/2" x 2"	1525 lbs	2400 lbs
5602-1140	14"	8-3/8"	4-5/8"	6-1/2"	18"	1/2" x 2-1/2"	2807 lbs	3130 lbs
5602-1160	16"	9-1/2"	5-3/8"	8-1/4"	20"	1/2" x 3"	3493 lbs	3970 lbs
5602-1180	18"	10-1/2"	6-5/8"	9-1/4"	23"	1/2" x 3"	4435 lbs	4200 lbs
5602-1200	20"	11-5/8"	6-3/8"	10-3/8"	26"	5/8" x 3"	5634 lbs	4550 lbs
5602-1240	24"	14"	9-1/4"	12-1/4"	30"	3/4" x 4"	8752 lbs	6160 lbs



# ROLLER HANGERS

Click on any Part# for additional product details



## TWO ROD TYPE ROLLER HANGERS - 5603 Series

**SIZE RANGE:** 2" through 30" pipe

**MATERIAL:** Cast Iron Roller and sockets, Carbon Steel Hardware

**FINISH:** Black  
Also available in Electro Galvanized and Hot Dipped Galvanized

**ORDERING:**

**FUNCTION:** Specify pipe size, rod size, finish and Part Number

Pipe support designed for pipe lines where horizontal movement may take place due to expansion and contraction

PART #	Pipe Size	PHOTO REFERENCE					Appox WT. per 100 pcs	Maximum Recommended Load (lbs.)
		A	B	C	E	L		
5603-120	2"	3/8"	1-5/8"	4-1/8"	3-1/8"	5-1/4"	57 lbs	600 lbs
5603-124	2-1/2"	1/2"	2"	4-7/8"	3-5/8"	6-1/4"	100 lbs	660 lbs
5603-130	3"	1/2"	2-1/4"	5-1/2"	4"	6-7/8"	110 lbs	700 lbs
5603-134	3-1/2"	1/2"	2-1/2"	6-1/8"	4-1/4"	7-1/2"	135 lbs	750 lbs
5603-140	4"	1/2"	2-3/4"	6-3/4"	4-3/4"	8-1/4"	165 lbs	750 lbs
5603-150	5"	5/8"	3-1/2"	8"	5-1/2"	9-5/8"	257 lbs	750 lbs
5603-160	6"	3/4"	4"	9-1/2"	6-1/2"	11-1/2"	445 lbs	1070 lbs
5603-180	8"	7/8"	5-1/8"	12"	8"	14"	715 lbs	1350 lbs
5603-1100	10"	7/8"	6-3/8"	14"	9-1/4"	16-1/8"	950 lbs	1730 lbs
5603-1120	12"	7/8"	7-1/2"	16-1/4"	10-1/2"	18"	1590 lbs	2400 lbs
5603-1140	14"	1"	8-3/8"	17-3/4"	12-1/8"	20-1/8"	2425 lbs	3130 lbs
5603-1160	16"	1"	9-1/2"	19-3/4"	13"	22-1/8"	3185 lbs	3970 lbs
5603-1180	18"	1"	10-1/2"	21-7/8"	14-1/4"	24-1/2"	3550 lbs	4200 lbs
5603-1200	20"	1-1/4"	11-5/8"	24-1/4"	15-3/4"	27-1/2"	4700 lbs	4550 lbs
5603-1240	24"	1-1/2"	14"	28-5/8"	18-3/4"	32-1/8"	7630 lbs	6160 lbs
5603-1300	30"	1-1/2"	17-1/2"	35-1/2"	22-7/8"	39"	12990 lbs	7290 lbs

# ROLLER SUPPORTS

Click on any Part# for additional product details



## ADJUSTABLE TYPE ROLLER SUPPORTS - 5604 Series

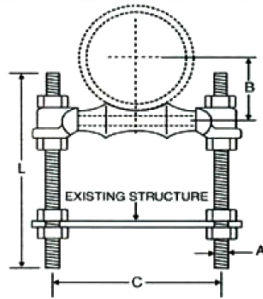
**SIZE RANGE:** 2" through 30" pipe

**MATERIAL:** Cast Iron Roller and sockets, Carbon Steel Hardware

**FINISH:** Black  
Also available in Electro Galvanized and Hot Dipped Galvanized

**ORDERING:** Specify pipe size, rod size, finish and Part Number

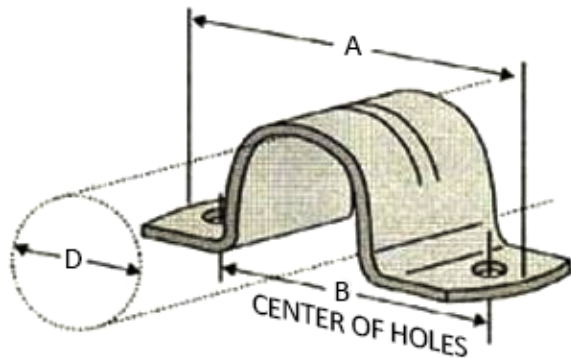
**FUNCTION:** Used to support piping subject to horizontal movement and where vertical adjustment up to 6" may be necessary



PART #	Pipe Size	PHOTO REFERENCE				Appox WT. per 100 pcs
		A	C	L	B	
5604-120	2"	3/8"	4-1/8"	12"	1-1/2"	132 lbs
5604-124	2-1/2"	1/2"	4-7/8"	12"	1-7/8"	230 lbs
5604-130	3"	1/2"	5-1/2"	12"	2-1/4"	252 lbs
5604-134	3-1/2"	1/2"	6-1/8"	12"	2-1/2"	261 lbs
5604-140	4"	1/2"	6-3/4"	12"	2-3/4"	388 lbs
5604-150	5"	5/8"	8"	12"	3-1/2"	475 lbs
5604-160	6"	3/4"	9-1/2"	12"	4"	765 lbs
5604-180	8"	7/8"	12"	12"	5-1/8"	1293 lbs
5604-1100	10"	7/8"	14"	12"	6-3/8"	1384 lbs
5604-1120	12"	7/8"	16-1/4"	12"	7-1/4"	2056 lbs
5604-1140	14"	1"	17-3/4"	12"	8-1/2"	2785 lbs
5604-1160	16"	1"	19-3/4"	18"	9-1/2"	4305 lbs
5604-1180	18"	1"	21-7/8"	18"	10-1/2"	4970 lbs
5604-1200	20"	1-1/4"	24-1/4"	18"	11-5/8"	6540 lbs
5604-1240	24"	1-1/2"	28-5/8"	24"	14"	11150 lbs
5604-1300	30"	1-1/2"	35-1/2"	24"	17-1/2"	20880 lbs

# CPVC STRAPS

Click on any Part# for additional product details



## CPVC TWO-HOLE STRAP- 5623 Series

**SIZE RANGE:** 3/4" through 2" pipe size

**MATERIAL:** Pre-galvanized Carbon Steel G-90

**FINISH:** Pre-galvanized

**ORDERING:** Specify pipe size and Part Number

**APPROVALS:** Underwriter's Laboratories approved for the support of CPVC piping

**FUNCTION:** Design to support or restraint when installed with the tabs in the up or down position. It may also be used on top of a beam as a guide. It is not recommended for use underneath a beam as a ceiling type hanger.

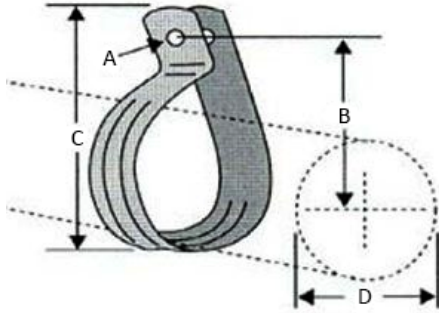


PART #	Pipe Size	PHOTO REFERENCE				Material	Carton Quantity	Appox WT. per 100 pcs
		A	B	D				
5623-206	3/4"	3.150	2.150	1.050	20 ga x 1-1/8"	100	9 lbs	
5623-210	1"	3.425	2.425	1.313	20 ga x 1-1/8"	100	10 lbs	
5623-212	1-1/4"	3.750	2.75	1.660	20 ga x 1-1/8"	100	12 lbs	
5623-214	1-1/2"	4.000	3.000	1.900	20 ga x 1-1/8"	100	12 lbs	
5623-220	2"	4.475	3.475	2.375	20 ga x 1-1/8"	100	15 lbs	

# CPVC STRAPS

Click on any Part# for additional product details

## CPVC ONE-HOLE WRAP AROUND STRAP- 5624 Series



**SIZE RANGE:** 3/4" through 2" pipe size

**MATERIAL:** Pre-galvanized Carbon Steel G-90

**FINISH:** Pre-galvanized

**ORDERING:** Specify pipe size and Part Number

**APPROVALS:** Underwriter's Laboratories approved for the support of CPVC piping

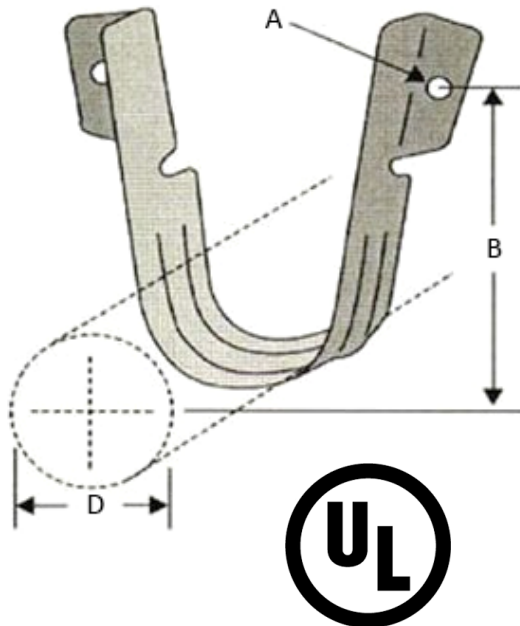
**FUNCTION:** Design to support or restraint when installed with the tabs in the up or down position. It may also be used on top of a beam as a guide. It is not recommended for use underneath a beam as a ceiling type hanger.

PART #	Pipe Size	PHOTO REFERENCE					Carton Quantity	Appox WT. per 100 pcs
		D	Material	A	B	C		
5624-206	3/4"	1.050	20 ga x 1-1/8"	7/32"	1-1/2"	2-1/2"	100	9 lbs
5624-210	1"	1.313	20 ga x 1-1/8"	7/32"	1-5/8"	2-7/8"	100	10 lbs
5624-212	1-1/4"	1.660	20 ga x 1-1/8"	7/32"	1-3/4"	3"	100	12 lbs
5624-214	1-1/2"	1.900	20 ga x 1-1/8"	7/32"	1-7/8"	3-3/8"	100	12 lbs
5624-220	2"	2.375	20 ga x 1-1/8"	7/32"	2"	3-3/4"	100	15 lbs

# CPVC STRAPS

Click on any Part# for additional product details

## CPVC TWO-HOLE 90 DEGREE SIDE MOUNT STRAP- 5625 Series



**SIZE RANGE:** 3/4" through 2" pipe size

**MATERIAL:** Pre-galvanized Carbon Steel G-90

**FINISH:** Pre-galvanized

**ORDERING:** Specify pipe size and Part Number

**APPROVALS:** Underwriter's Laboratories approved for the support of CPVC piping

**FUNCTION:** Design to support or restraint pipe from either a top or bottom beam installation. It can also help restrain an upward movement of the sprinkler head once activated

PART #	Pipe Size	PHOTO REFERENCE				Carton Quantity	Appox WT. per 100 pcs
		D	Material	A	B		
5625-206	3/4"	1.050	20 ga x 1-1/8"	7/32"	1-1/2"	100	9 lbs
5625-210	1"	1.313	20 ga x 1-1/8"	7/32"	1-1/2"	100	10 lbs
5625-212	1-1/4"	1.660	20 ga x 1-1/8"	7/32"	1-3/4"	100	11 lbs
5625-214	1-1/2"	1.900	20 ga x 1-1/8"	7/32"	1-7/8"	100	12 lbs
5625-220	2"	2.375	20 ga x 1-1/8"	7/32"	2"	100	13 lbs

# SURGE RING HANGERS

Click on any Part# for additional product details



## SURGE RING HANGERS - 5626 Series

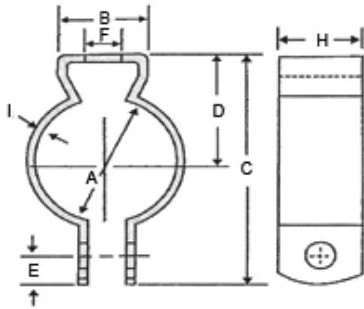
**SIZE RANGE:** 1/2" through 2" pipe

**MATERIAL:** Carbon Steel

**FINISH:** Electro Galvanized

**ORDERING:** Specify pipe size and Part Number

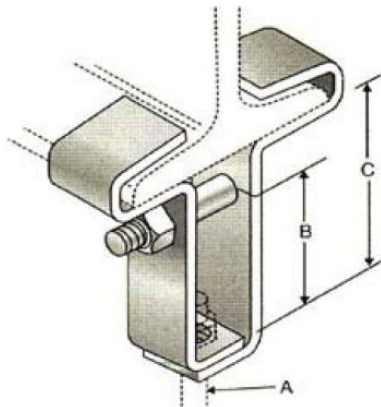
**FUNCTION:** Recommended for the suspension of non-insulated stationary pipe lines



PART #	Pipe Size	PHOTO REFERENCE									Appox WT. per 100 pcs	Carton Qty
		Min "A"	Max "A"	B	C	D	E	F	H	I		
5626-204	1/2"	9/16"	3/4"	7/8"	1-15/16"	7/8"	1/4"	3/8"	7/8"	1/16"	6	100
5626-206	3/4"	13/16"	1"	7/8"	2"	7/8"	1/4"	3/8"	7/8"	1/16"	8	100
5626-210	1"	1"	1-3/8"	1"	2-3/8"	1-1/4"	3/8"	3/8"	7/8"	1/16"	11	100
5626-212	1-1/4"	1-1/2"	1-5/8"	1"	2-7/8"	1-3/8"	3/8"	3/8"	7/8"	1/16"	12	100
5626-214	1-1/2"	1-5/8"	2"	1-1/8"	3-1/4"	1-5/8"	3/8"	3/8"	1"	1/16"	16	50
5626-220	2"	2-1/4"	2-1/2"	1-1/4"	3-3/4"	1-7/8"	3/8"	3/8"	1-1/4"	1/16"	19	50

# CENTER LOAD BEAM CLAMPS

Click on any Part# for additional product details



## STEEL CENTER LOAD BEAM CLAMPS - 5675 Series

**SIZE RANGE:** 3/8" through 1-1/4" rod size

**MATERIAL:** Carbon Steel

**FINISH:** Black

**ORDERING:** Specify rod size, flange width and Part Number

**FUNCTION:** Designed to be used in the suspension of a hanger rod from the center of an I-Beam. The clamps design allows the load to be distributed equally on either side of the beam. This clamp allows approximately 2" of vertical adjustment.

PART #					PHOTO REFERENCE			Material Size	Maximum Recommended Load (lbs.)
Flange Width (inches)					A	B	C		
4"	5"	6"	7"	8"					
5675-103-4	5675-103-5	5675-103-6	5675-103-7	5675-103-8	3/8"	3"	4"	3 ga x 1-1/4"	550
5675-104-4	5675-104-5	5675-104-6	5675-104-7	5675-104-8	1/2"	3"	4"	3 ga x 1-1/2"	850
5675-105-4	5675-105-5	5675-105-6	5675-105-7	5675-105-8	5/8"	3-1/4"	4-1/2"	3/8" x 1-1/2"	1100
5675-106-4	5675-106-5	5675-106-6	5675-106-7	5675-106-8	3/4"	3-1/4"	4-1/2"	3/8" x 2"	1500
5675-107-4	5675-107-5	5675-107-6	5675-107-7	5675-107-8	7/8"	3-1/2"	5"	1/2" x 2"	2600
5675-110-4	5675-110-5	5675-110-6	5675-110-7	5675-110-8	1"	3-1/2"	5"	1/2" x 2-1/2"	4300
5675-111-4	5675-111-5	5675-111-6	5675-111-7	5675-111-8	1-1/8"	3-1/2"	5-1/2"	5/8" x 3"	6100
5675-112-4	5675-112-5	5675-112-6	5675-112-7	5675-112-8	1-1/4"	3-1/2"	5-1/2"	5/8" x 4"	8000

EMAIL:  
SALES@MASTERD.US

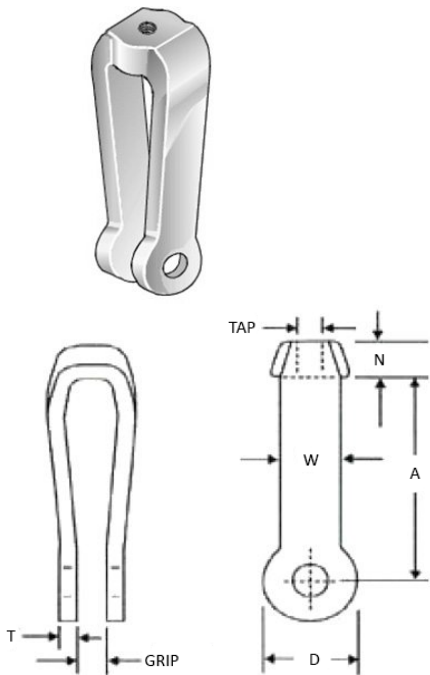
**MASTER**  
**DISTRIBUTION**  
An AFC Industries Company

PHONE: 330-220-3600  
FAX: 330-220-3641

49

# FORGED STEEL CLEVIS

Click on any Part# for additional product details



## FORGED STEEL CLEVIS - 5705 Series

**SIZE RANGE:** 3/8" through 2-1/2" rod sizes

**MATERIAL:** C-1035 Forged Steel

**FINISH:** Black

**ORDERING:** Specify rod size, pin size and Part Number

**APPROVALS:** Complies with MSS SP-69 (Type 14)

**FUNCTION:** Recommended as an adjustable hanger rod connection for piping installations

PART #	Pipe Size	PHOTO REFERENCE					Maximum Tap Size	Maximum Pin or Bolt Size	Maximum Recommended Load (lbs.)	Approx WT. per 100 pcs
		A	D	N	T	W				
5705-120	2"	3-1/2"	1-1/2"	5/8"	5/16"	1"	5/8"	3/4"	3500 lbs	100 lbs
5705-124	2-1/2"	4"	2-1/2"	1-1/8"	5/16"	1-1/4"	7/8"	1-1/2"	7500 lbs	250 lbs
5705-130	3"	5"	3"	1-1/4"	1/2"	1-1/2"	1-3/8"	1-3/4"	15000 lbs	400 lbs
5705-134	3-1/2"	6"	3-1/2"	1-1/2"	1/2"	1-3/4"	1-1/2"	2"	18000 lbs	600 lbs
5705-140	4"	6"	4"	1-3/4"	1/2"	2"	1-3/4"	2-1/4"	21000 lbs	800 lbs
5705-150	5"	7"	5"	2-1/4"	5/8"	2-1/2"	2-1/8"	2-1/2"	37500 lbs	1600 lbs
5705-160	6"	8"	6"	2-3/4"	3/4"	3"	2-1/2"	3"	54000 lbs	2600 lbs

The maximum tap size shown in the Specification Data Matrix is for reference purpose only. It should be used only to determine the largest tap diameter the clevis can accommodate without considering the pin diameter. The nominal Tap vs Pin matrix reflects the standard combination of tap size to pin diameter.

Some combinations of tap size and pin diameter shown will not develop the maximum working load of the clevis shown in the Specification Data matrix.

Maximum working loads are based on using the maximum pin diameter, the resulting net area of the eye at the pin hole, and the expected ultimate tensile strength of C-1035 steel.

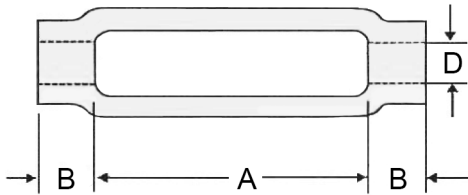
### Nominal Tap vs Pin - Combination Matrix

Size	Tap Size	Pin Size
2	3/8"	1/2"
	1/2"	5/8"
	5/8"	3/4"
2-1/2	3/4"	7/8"
	7/8"	1"
3	1"	1-1/8"
	1-1/4"	1-3/8"
3-1/2	1-1/2"	1-5/8"
4	1-3/4"	1-7/8"
5	2"	2-1/4"
6	2-1/4"	2-1/2"
	2-1/2"	2-3/4"



# TURNBUCKLES

Click on any Part# for additional product details



## TURNBUCKLE - 5706 Series

**SIZE RANGE:** 3/8" through 2" rod size

**MATERIAL:** C-1035 Forged Steel

**FINISH:** Black

**ORDERING:** Specify rod size, pin size, and Part Number

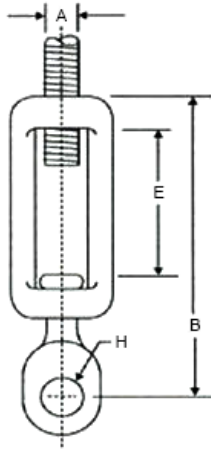
**APPROVALS:** Complies with MSS SP-69 (Type 14)

**FUNCTION:** Recommended as an adjustable hanger rod connection for piping installations

PART #	Rod Size "D"	PHOTO REFERENCE		Maximum Recommended Load (lbs.)	Appox WT. per 100 pcs
		A	B		
5706-103	3/8"	6"	1/2"	1200 lbs	42 lbs
5706-104	1/2"	6"	3/4"	2200 lbs	65 lbs
5706-105	5/8"	6"	1"	3500 lbs	98 lbs
5706-106	3/4"	6"	1"	5200 lbs	145 lbs
5706-107	7/8"	6"	1-1/4"	7200 lbs	185 lbs
5706-110	1"	6"	1-1/2"	9300 lbs	260 lbs
5706-111	1-1/8"	6"	1-1/2"	11600 lbs	406 lbs
5706-112	1-1/4"	6"	1-1/2"	15200 lbs	400 lbs
5706-114	1-1/2"	6"	1-7/8"	21000 lbs	815 lbs
5706-120	2"	6"	2-3/4"	37200 lbs	1400 lbs

# TURNBUCKLES

Click on any Part# for additional product details



## TURNBUCKLE ADJUSTER - 5706A Series

**SIZE RANGE:** 3/8" through 3/4" rod size

**MATERIAL:** Malleable Iron

**FINISH:** Black

**ORDERING:** Specify rod size and Part Number

**FUNCTION:** Usually used with split pipe ring hangers, model 5721

PART #	Rod Size "A"	Pipe Size	PHOTO REFERENCE			Maximum Recommended Load (lbs.)	Appox WT. per 100 pcs
			B	E	H		
5706A-103	3/8"	1/2" to 2"	3-13/16"	1-7/8"	7/16"	610 lbs	28 lbs
5706A-104	1/2"	2-1/2" to 3-1/2"	3-3/16"	1-13/16"	7/16"	725 lbs	31 lbs
5706A-105	5/8"	4" to 5"	4-7/8"	2-5/16"	1/2"	710 lbs	72 lbs
5706A-106	3/4"	6"	4-15/16"	2-5/16"	9/16"	860 lbs	70 lbs

# EXTENSION PIECE

Click on any Part# for additional product details



## EXTENSION PIECE - 5707 Series

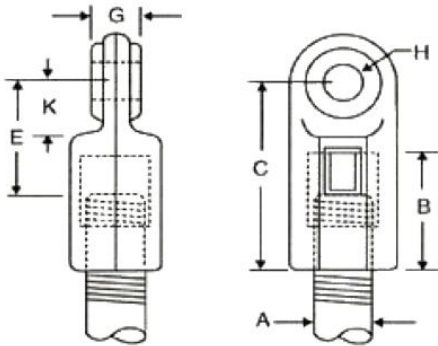
**SIZE RANGE:** 3/8" through 7/8" rod sizes

**MATERIAL:** Malleable Iron

**FINISH:** Black  
Also available in Electro Galvanized

**ORDERING:** Specify rod size, finish and Part Number

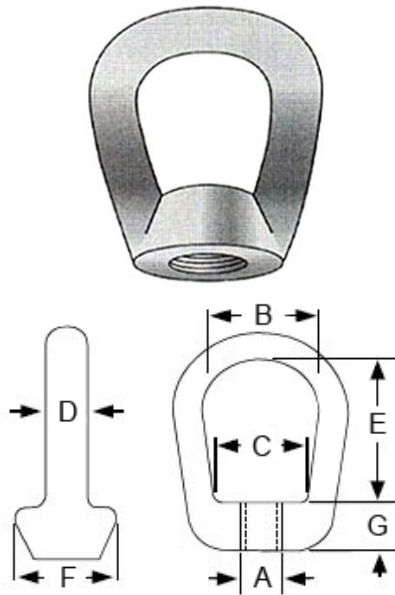
**FUNCTION:** Designed for attaching a hanger rod to various building attachments



PART #	Rod Size	Pipe Size	PHOTO REFERENCE						Appox WT. per 100 pcs	Maximum Recommended Load (lbs.)
			B	C	E	G	H	K		
5707-103	3/8"	3/4" - 2"	1-1/4"	2"	1-1/4"	1/2"	1/2"	1/2"	20 lbs	610 lbs
5707-104	1/2"	2-1/2"-3-1/2"	1-3/8"	2-1/4"	1-3/8"	5/8"	1/2"	5/8"	40 lbs	1130 lbs
5707-105	5/8"	4" - 5"	1-1/2"	2-1/2"	1-1/2"	5/8"	1/2"	3/4"	44 lbs	1910 lbs
5707-106	3/4"	6"	1-3/4"	2-7/8"	1-5/8"	5/8"	1/2"	7/8"	65 lbs	2710 lbs
5707-107	7/8"	8-1/2"	1-7/8"	3"	1-3/4"	3/4"	9/16"	7/8"	78 lbs	2950 lbs

# WELDLESS EYE NUTS

Click on any Part# for additional product details



## FORGED STEEL WELDLESS EYE NUTS - 5708 Series

**SIZE RANGE:** 3/8" through 2-1/2" rod sizes

**MATERIAL:** ASII C-1030 Fine Grain Steel

**FINISH:** Black

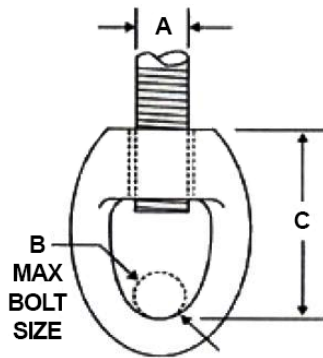
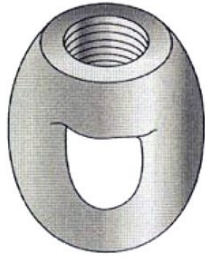
**ORDERING:** Specify rod size, finish and Part Number

**FUNCTION:** Designed for use on high temperature pipe runs allowing for vertical adjustment

PART #	Rod Size "A"	PHOTO REFERENCE						Maximum Recommended Load (lbs.)	Appox WT. per 100 pcs
		B	C	D	E	F	G		
5708-103	3/8"	1-1/2"	1-1/8"	1/2"	2"	1-3/8"	5/8"	1200 lbs	56 lbs
5708-104	1/2"	1-1/2"	1-1/8"	1/2"	2"	1-3/8"	5/8"	2200 lbs	59 lbs
5708-105	5/8"	1-1/2"	1-1/8"	1/2"	2"	1-3/8"	5/8"	3700 lbs	61 lbs
5708-106	3/4"	1-1/2"	1-1/8"	1/2"	2"	1-3/8"	5/8"	5500 lbs	63 lbs
5708-107	7/8"	2"	1-5/8"	3/4"	2-5/8"	2"	1"	7500 lbs	167 lbs
5708-110	1"	2"	1-5/8"	3/4"	2-5/8"	2"	1"	10000 lbs	172 lbs
5708-111	1-1/8"	2-1/2"	1-3/4"	1"	3-3/8"	2-3/8"	1-1/4"	12000 lbs	345 lbs
5708-112	1-1/4"	2-1/2"	1-3/4"	1"	3-3/8"	2-3/8"	1-1/4"	16000 lbs	364 lbs
5708-114	1-1/2"	2-1/2"	1-3/4"	1"	3-3/8"	2-3/8"	1-1/4"	22000 lbs	373 lbs
5708-116	1-3/4"	4"	4"	1-1/2"	6-1/4"	4"	2-1/4"	30000 lbs	1480 lbs
5708-120	2"	4"	4"	1-1/2"	6-1/4"	4"	2-1/4"	40000 lbs	1550 lbs
5708-122	2-1/4"	4"	4"	1-1/2"	6-1/4"	4"	2-1/4"	45000 lbs	1614 lbs
5708-124	2-1/2"	4"	4"	1-1/2"	6-1/4"	4"	2-1/4"	50000 lbs	1657 lbs

# EYE SOCKETS

Click on any Part# for additional product details



## MALLEABLE EYE SOCKET - 5709 Series

**SIZE RANGE:** 1/4" through 7/8" pipe size

**MATERIAL:** Malleable Iron

**FINISH:** Black

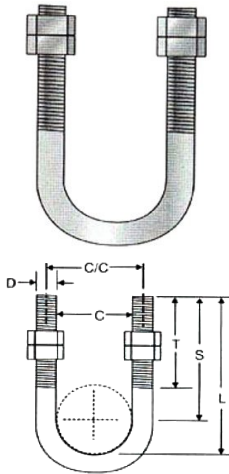
**ORDERING:** Specify rod size, finish and Part Number

**FUNCTION:** A non-adjustable threaded rod attachment often used with the split ring hanger and beam clamps

PART #	PHOTO REFERENCE				Maximum Recommended Load (lbs.)	Appox WT. per 100 pcs
	Rod Size "A"	Pipe Size	B	C		
<b>5709-102</b>	1/4"	3/8"	1/4"	1-1/8"	230 lbs	8 lbs
<b>5709-103</b>	3/8"	1/2"	1/4"	1-3/8"	610 lbs	20 lbs
<b>5709-104</b>	1/2"	1/2"	1/4"	1-1/2"	1130 lbs	40 lbs
<b>5709-105</b>	5/8"	5/8"	3/8"	1-3/4"	1810 lbs	44 lbs
<b>5709-106</b>	3/4"	7/8"	1/2"	2-1/8"	2710 lbs	65 lbs
<b>5709-107</b>	7/8"	7/8"	1/2"	2-3/8"	2950 lbs	78 lbs

# U-BOLTS

Click on any Part# for additional product details



## U-BOLTS - 5718 Series

**SIZE RANGE:** 1/2" through 24" pipe sizes

**MATERIAL:** Carbon Steel

**FINISH:** Black

Also available in Electro Galvanized,  
304 Stainless Steel, 316 Stainless Steel  
and Hot Dipped Galvanized

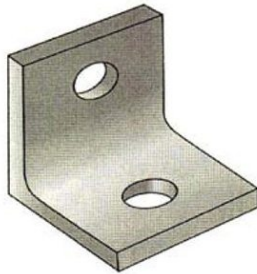
**ORDERING:** Specify pipe size, finish and Part Number

**FUNCTION:** Designed as a support, guide or anchor  
for heavy loads

PART #	Pipe Size	PHOTO REFERENCE						Carton Qty	Maximum Recommended Load (lbs.)		Approx WT. per 100 pcs
		D	C	C/C	S	T	L		650 F	750 F	
5718-104	1/2"	1/4"	1"	1-1/8"	2-3/4"	2-3/8"	3-1/4"	100	1220 lbs	1090 lbs	23 lbs
5718-106	3/4"	1/4"	1-1/8"	1-3/8"	2-3/4"	2-3/8"	3-1/4"	100	1220 lbs	1090 lbs	24 lbs
5718-110	1"	1/4"	1-3/8"	1-5/8"	2-3/4"	2-3/8"	3-1/2"	100	1220 lbs	1090 lbs	26 lbs
5718-112	1-1/4"	3/8"	1-5/8"	2"	2-7/8"	2-3/8"	3-3/4"	100	1220 lbs	1090 lbs	28 lbs
5718-114	1-1/2"	3/8"	2"	2-3/8"	3"	2-1/2"	4"	100	1220 lbs	1090 lbs	29 lbs
5718-120	2"	3/8"	2-1/2"	2-3/4"	3-1/4"	2-1/2"	4-1/2"	100	1220 lbs	1090 lbs	32 lbs
5718-124	2-1/2"	1/2"	3"	3-1/2"	3-3/4"	3"	5-1/4"	50	2260 lbs	2020 lbs	68 lbs
5718-130	3"	1/2"	3-1/2"	4"	4"	3"	5-3/4"	50	2260 lbs	2020 lbs	77 lbs
5718-134	3-1/2"	1/2"	4"	4-1/2"	4-1/4"	3"	6-1/4"	50	2260 lbs	2020 lbs	82 lbs
5718-140	4"	1/2"	4-1/2"	5"	4-1/2"	3"	6-3/4"	50	2260 lbs	2020 lbs	88 lbs
5718-150	5"	1/2"	5-5/8"	6-1/8"	5"	3"	7-3/4"	50	2260 lbs	2020 lbs	93 lbs
5718-160	6"	5/8"	6-3/4"	7-3/8"	6-1/8"	3-3/4"	9-1/2"	25	3620 lbs	3230 lbs	194 lbs
5718-180	8"	5/8"	8-3/4"	9-3/8"	7-1/8"	3-1/4"	11-1/2"	20	3620 lbs	3230 lbs	236 lbs
5718-1910	10"	3/4"	10-7/8"	11-5/8"	8-3/8"	4"	13-3/4"	10	5420 lbs	4830 lbs	489 lbs
5718-1912	12"	7/8"	12-7/8"	13-3/4"	9-5/8"	4-1/4"	16"	5	7540 lbs	6730 lbs	776 lbs
5718-1914	14"	7/8"	14-1/8"	15"	10-1/4"	4-1/4"	17-1/4"	5	7540 lbs	6730 lbs	832 lbs
5718-1916	16"	7/8"	16-1/8"	17"	11-1/4"	4-1/4"	19-1/4"	2	7540 lbs	6730 lbs	919 lbs
5718-1918	18"	1"	18-1/8"	19-1/8"	12-5/8"	4-3/4"	21-5/8"	2	9920 lbs	8850 lbs	1067 lbs
5718-1920	20"	1"	20-1/8"	21-1/8"	13-5/8"	4-3/4"	23-5/8"	1	9920 lbs	8850 lbs	1474 lbs
5718-1924	24"	1"	24-1/8"	25-1/8"	15-5/8"	4-3/4"	27-7/8"	1	9920 lbs	8850 lbs	1708 lbs

# SIDE BEAM BRACKETS

Click on any Part# for additional product details



## SIDE BEAM BRACKETS - 5719 Series

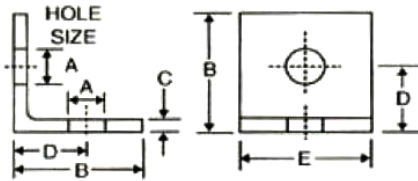
**SIZE RANGE:** 3/8" through 3/4" rod sizes

**MATERIAL:** Carbon Steel

**FINISH:** Black  
Also available in Electro Galvanized

**ORDERING:** Specify rod size, finish and Part Number

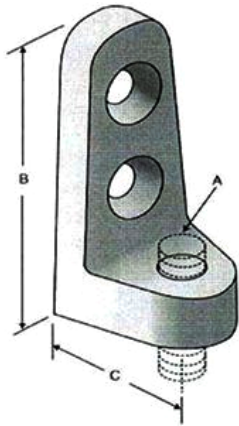
**FUNCTION:** Designed to be fastened to side of joist in order to support a hanger rod



PART #	Rod Size	PHOTO REFERENCE					Maximum Recommended Load (lbs.)	Appox WT. per 100 pcs	Carton Qty
		A	B	C	D	E			
<b>5719-103</b>	3/8"	7/16"	2-1/8"	3/16"	1-1/4"	1-3/4"	300 lbs	32 lbs	100
<b>5719-104</b>	1/2"	9/16"	2-1/8"	1/4"	1-3/8"	1-3/4"	560 lbs	38 lbs	100
<b>5719-105</b>	5/8"	11/16"	2-3/4"	3/8"	1-3/4"	2-1/2"	900 lbs	119 lbs	50
<b>5719-106</b>	3/4"	13/16"	3-1/4"	3/8"	2-1/8"	2-1/2"	900 lbs	136 lbs	50

# SIDE BEAM CONNECTORS

Click on any Part# for additional product details



## SIDE BEAM CONNECTORS - 5720 Series

**SIZE RANGE:** 3/8" & 1/2" all thread rod

**MATERIAL:** Malleable Iron

**FINISH:** Black  
Also available in Electro Galvanized

**ORDERING:** Specify rod size, finish and Part Number

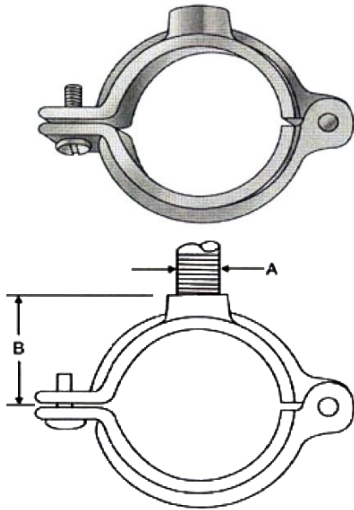
**FUNCTION:** Recommended for mounting to side of a wood beam with wood drive screw

PART #	Rod Size	PHOTO REFERENCE			Maximum Recommended Load (lbs.)	Appox WT. per 100 pcs	Carton Qty
		A	B	C			
<b>5720-103</b>	3/8"	3/8"	2-3/8"	9/16"	250 lbs	13 lbs	100
<b>5720-104</b>	1/2"	1/2"	2-3/4"	3/4"	480 lbs	25 lbs	100



# SPLIT RING HANGERS

Click on any Part# for additional product details



## HINGED SPLIT RING HANGERS - 5721 Series

**SIZE RANGE:** 3/8" through 4" pipe sizes

**MATERIAL:** Malleable Iron

**FINISH:** Black  
Also available in Electro Galvanized

**ORDERING:** Specify pipe size, finish and Part Number

**FUNCTION:** Recommended for the suspension of non-insulated stationary pipe

PART #	PHOTO REFERENCE			Appox WT. per 100 pcs	Maximum Recommended Load (lbs.)	Carton Qty
	Pipe Size	A	B			
<b>5721-103</b>	3/8"	3/8"	5/8"	10 lbs	180 lbs	100 lbs
<b>5721-104</b>	1/2"	3/8"	3/4"	13 lbs	180 lbs	100 lbs
<b>5721-106</b>	3/4"	3/8"	7/8"	14 lbs	180 lbs	100 lbs
<b>5721-110</b>	1"	3/8"	1-1/8"	16 lbs	180 lbs	100 lbs
<b>5721-112</b>	1-1/4"	3/8"	1-1/8"	22 lbs	180 lbs	50 lbs
<b>5721-114</b>	1-1/2"	3/8"	1-3/8"	24 lbs	180 lbs	50 lbs
<b>5721-120</b>	2"	3/8"	1-5/8"	31 lbs	180 lbs	50 lbs
<b>5721-124</b>	2-1/2"	1/2"	1-7/8"	60 lbs	300 lbs	50 lbs
<b>5721-130</b>	3"	1/2"	2-3/8"	74 lbs	300 lbs	50 lbs
<b>5721-140</b>	4"	1/2"	2-3/4"	85 lbs	300 lbs	25 lbs

EMAIL:  
SALES@MASTERD.US

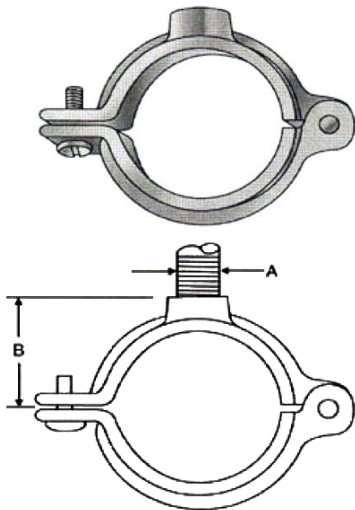
**MASTER**  
**DISTRIBUTION**  
An AFC Industries Company

PHONE: 330-220-3600  
FAX: 330-220-3641

59

# SPLIT RING HANGERS

Click on any Part# for additional product details



## COPPER HINGED SPLIT RING HANGERS - 5722 Series

**SIZE RANGE:** 3/8" through 4" copper tubing size

**MATERIAL:** Malleable Iron

**FINISH:** Copper Plating

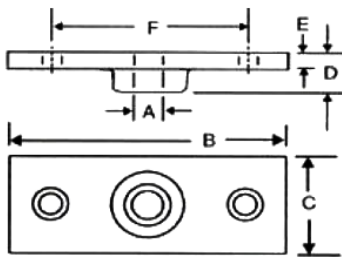
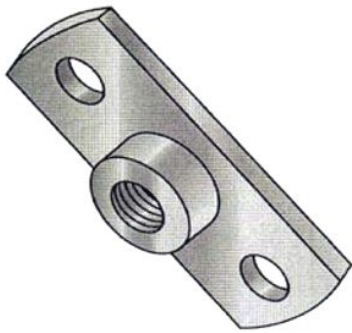
**ORDERING:** Specify pipe size, finish and Part Number

**FUNCTION:** Recommended for the suspension of non-insulated stationary pipe

PART #	PHOTO REFERENCE			Appox WT. per 100 pcs	Maximum Recommended Load (lbs.)	Carton Qty
	Pipe Size	A	B			
<b>5722-303</b>	3/8"	3/8"	5/8"	10 lbs	180 lbs	100 lbs
<b>5722-304</b>	1/2"	3/8"	3/4"	13 lbs	180 lbs	100 lbs
<b>5722-306</b>	3/4"	3/8"	7/8"	14 lbs	180 lbs	100 lbs
<b>5722-310</b>	1"	3/8"	1-1/8"	16 lbs	180 lbs	100 lbs
<b>5722-312</b>	1-1/4"	3/8"	1-1/8"	22 lbs	180 lbs	50 lbs
<b>5722-314</b>	1-1/2"	3/8"	1-3/8"	24 lbs	180 lbs	50 lbs
<b>5722-320</b>	2"	3/8"	1-5/8"	31 lbs	180 lbs	50 lbs
<b>5722-324</b>	2-1/2"	1/2"	1-7/8"	60 lbs	300 lbs	50 lbs
<b>5722-330</b>	3"	1/2"	2-3/8"	74 lbs	300 lbs	50 lbs
<b>5722-340</b>	4"	1/2"	2-3/4"	85 lbs	300 lbs	25 lbs

# CEILING FLANGES

Click on any Part# for additional product details



## CEILING FLANGE - 5723 Series

**SIZE RANGE:** 3/8" through 1/2" rod sizes

**MATERIAL:** Carbon Steel

**FINISH:** Black  
Also available in Electro Galvanized,  
304 Stainless Steel & 316 Stainless Steel

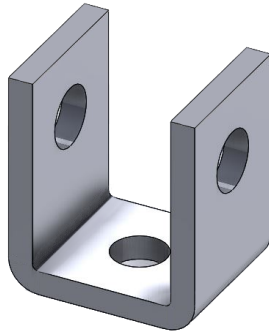
**ORDERING:** Specify rod size, finish and Part Number

**FUNCTION:** Designed to fasten a hanger rod to a  
beam or ceilings

PART #	Rod Size	PHOTO REFERENCE						Maximum Recommended Load (lbs.)	Appox WT. per 100 pcs	Carton Qty
		A	B	C	D	E	F			
5723-103	3/8"	3/8"	2-3/4"	1-3/8"	1/2"	3/16"	2"	180 lbs	17 lbs	100
5723-104	1/2"	1/2"	2-3/4"	1-3/8"	1/2"	3/16"	2"	180 lbs	18 lbs	100

# WELDED BEAM ATTACHMENTS

Click on any Part# for additional product details



## WELDED BEAM ATTACHEMENT - 5724 Series

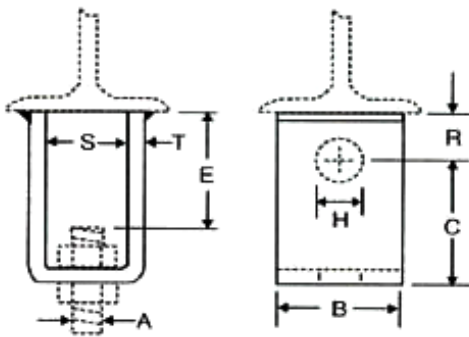
**SIZE RANGE:** 3/8" through 2-1/4" rod sizes

**MATERIAL:** Carbon Steel

**FINISH:** Black  
Also available in Electro Galvanized

**ORDERING:** Specify rod size, finish and Part Number

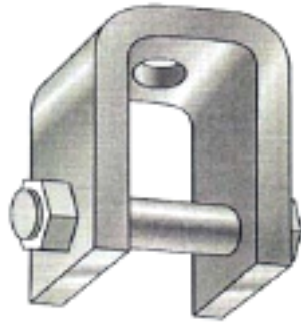
**FUNCTION:** Designed as a support, guide or anchor for heavy loads



PART #	Rod Size "A"	PHOTO REFERENCE							Bolt Size	Maximum Recommended Load (lbs.)		Approx WT. per 100 pcs
		E	C	B	H	R	S	T		650 F	750 F	
5724-103	3/8"	3/8"	2"	2"	1/2"	7/8"	1-1/4"	1/4"	1/2" x 2-1/2"	610 lbs	510 lbs	117 lbs
5724-104	1/2"	3/8"	2"	2"	5/8"	7/8"	1-1/4"	1/4"	5/8" x 2-1/2"	1130 lbs	940 lbs	131 lbs
5724-105	5/8"	3/8"	2"	2"	3/4"	7/8"	1-1/4"	1/4"	3/4" x 2-3/4"	1810 lbs	1510 lbs	155 lbs
5724-106	3/4"	3/8"	2"	2-1/2"	1"	1-1/8"	1-7/8"	3/8"	7/8" x 3-1/2"	2710 lbs	2260 lbs	279 lbs
5724-107	7/8"	3/8"	3"	2-1/2"	1-1/8"	1-1/4"	2"	3/8"	1" x 4"	3770 lbs	3150 lbs	394 lbs
5724-110	1"	3/8"	3"	3"	1-1/4"	1-1/2"	2"	1/2"	1/8" x 4-1/2"	4960 lbs	4150 lbs	629 lbs
5724-112	1-1/4"	1/2"	3"	4"	1-1/2"	2"	2-1/2"	5/8"	1-3/8" x 5"	8000 lbs	6660 lbs	1022 lbs
5724-114	1-1/2"	1/2"	4"	5"	1-3/4"	2-3/4"	3"	3/4"	1-5/8" x 5-3/4"	11630 lbs	9700 lbs	1902 lbs
5724-116	1-3/4"	1/2"	5"	5"	2"	2-3/4"	3-3/4"	3/4"	1-7/8" x 6-7/8"	15700 lbs	14000 lbs	2418 lbs
5724-120	2"	1/2"	5"	6"	2-3/8"	3-1/4"	3-3/4"	3/4"	2-1/4" x 6-7/8"	20700 lbs	18460 lbs	3055 lbs
5724-122	2-1/4"	1/2"	6"	6"	2-5/8"	3-1/2"	4-1/4"	3/4"	2-1/2" x 7-3/8"	27200 lbs	24260 lbs	3678 lbs

# WELDED BEAM ATTACHMENTS

Click on any Part# for additional product details



## WELDED BEAM ATTACHMENT with PIN - 5724P Series

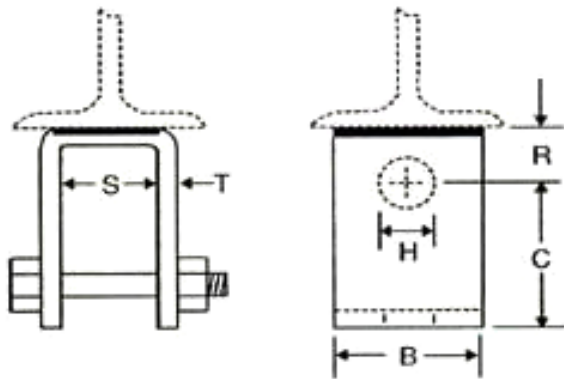
**SIZE RANGE:** 3/8" through 2-1/4" rod sizes

**MATERIAL:** Carbon Steel

**FINISH:** Black  
Also available in Electro Galvanized

**ORDERING:** Specify rod size, finish and Part Number

**FUNCTION:** Designed as a support, guide or anchor for heavy loads



PART #	Rod Size	PHOTO REFERENCE						Bolt Size	Maximum Recommended Load (lbs.)		Approx WT. per 100 pcs
		C	B	H	R	S	T		650 F	750 F	
5724P-103	3/8"	2"	2"	1/2"	7/8"	1-1/4"	1/4"	1/2" x 2-1/2"	610 lbs	510 lbs	117 lbs
5724P-104	1/2"	2"	2"	5/8"	7/8"	1-1/4"	1/4"	5/8" x 2-1/2"	1130 lbs	940 lbs	131 lbs
5724P-105	5/8"	2"	2"	3/4"	7/8"	1-1/4"	1/4"	3/4" x 2-3/4"	1810 lbs	1510 lbs	155 lbs
5724P-106	3/4"	2"	2-1/2"	1"	1-1/8"	1-7/8"	3/8"	7/8" x 3-1/2"	2710 lbs	2260 lbs	279 lbs
5724P-107	7/8"	3"	2-1/2"	1-1/8"	1-1/4"	2"	3/8"	1" x 4"	3770 lbs	3150 lbs	394 lbs
5724P-110	1"	3"	3"	1-1/4"	1-1/2"	2"	1/2"	1/8" x 4-1/2"	4960 lbs	4150 lbs	629 lbs
5724P-112	1-1/4"	3"	4"	1-1/2"	2"	2-1/2"	5/8"	1-3/8" x 5"	8000 lbs	6660 lbs	1022 lbs
5724P-114	1-1/2"	4"	5"	1-3/4"	2-1/2"	3"	3/4"	1-5/8" x 5-3/4"	11630 lbs	9700 lbs	1902 lbs
5724P-116	1-3/4"	5"	5"	2"	2-3/4"	3-3/4"	3/4"	1-7/8" x 6-7/8"	15700 lbs	14000 lbs	2418 lbs
5724P-120	2"	5"	6"	2-3/8"	3-1/4"	3-3/4"	3/4"	2-1/4" x 6-7/8"	20700 lbs	18460 lbs	3055 lbs
5724P-122	2-1/4"	6"	6"	2-5/8"	3-1/2"	4-1/4"	3/4"	2-1/2" x 7-3/8"	27200 lbs	24260 lbs	3678 lbs

EMAIL:  
SALES@MASTERD.US

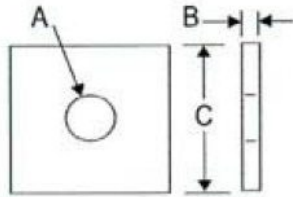
**MASTER**  
**DISTRIBUTION**  
An AFC Industries Company

PHONE: 330-220-3600  
FAX: 330-220-3641

63

# CONCRETE NUT/BOX

Click on any Part# for additional product details



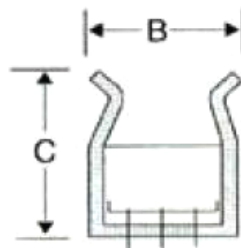
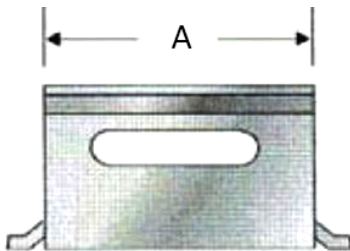
## CONCRETE INSERT NUT - 5725 Series

**MATERIAL:** Carbon Steel, continuous thread

**FINISH:** Black, also available in Electro-plated Zinc

**ORDERING:** Specify rod size, length, finish and part number

PART #	PHOTO REFERENCE			Appox WT. per 100 pcs
	A	B	C	
<b>5725-103</b>	3/8"	1/4"	1-1/4"	13 lbs
<b>5725-104</b>	1/2"	1/4"	1-1/4"	12 lbs
<b>5725-105</b>	5/8"	1/4"	1-1/4"	11 lbs
<b>5725-106</b>	3/4"	1/4"	1-1/4"	10 lbs



## CONCRETE BOX - 5726 Series

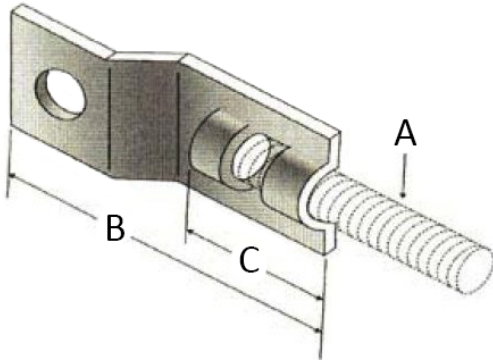
**MATERIAL:** Carbon Steel

**FINISH:** Black, also available in Electro-plated Zinc

PART #	PHOTO REFERENCE			Maximum Nut Size	Appox WT. per 100 pcs	Maximum Recommended Load (lbs.)
	A	B	C			
<b>5726-106</b>	3-7/8"	1-3/4"	2-5/8"	3/4"	96 lbs	1200 lbs

# OFFSET EYE SOCKETS

Click on any Part# for additional product details



## OFFSET EYE SOCKET - 5728 Series

**SIZE RANGE:** 2" pipe size

**MATERIAL:** Low Carbon Steel

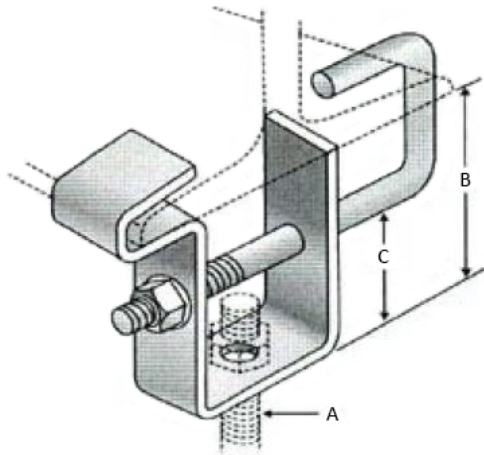
**FINISH:** Electro Galvanized

**ORDERING:** Specify rod size, finish and Part Number

PART #	Rod Size "A"	Max Pipe Size	Lag Screw Size	PHOTO REFERENCE		Maximum Recommended Load (lbs.)	Appox WT. per 100 pcs
				B	C		
5728-203	3/8"	2"	3/8" x 2-1/2"	2-5/8"	1"	610 lbs	9 lbs

# BEAM CLAMPS/VAN HANGER

Click on any Part# for additional product details



## ADJUSTABLE STEEL BEAM CLAMP - 5730 Series

**SIZE RANGE:** 3/8" through 5/8" rod sizes

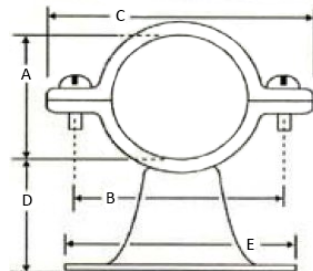
**MATERIAL:** Low Carbon Steel

**FINISH:** Black

**ORDERING:** Specify rod size, finish and Part Number

**FUNCTION:** Designed to be used in the suspension of a hanger rod from an I-Beam. The clamp is adjustable from 3-1/2" to 8" and can be used with flange thickness up to 3/4"

PART #	Rod Size "A"	Flange Width (Inches)		PHOTO REFERENCE		Steel Size	Maximum Recommended Load (lbs.)	Appox WT. per 100 pcs
		Min	Max	B	C			
5730-103	3/8"	3/8"	2-3/4"	1-3/8"	1/2"	3 ga x 1-1/4"	300 lbs	118 lbs
5730-104	1/2"	1/2"	2-3/4"	1-3/8"	1/2"	3 ga x 1-1/4"	700 lbs	162 lbs
5730-105	5/8"	1/2"	2-3/4"	1-3/8"	1/2"	3 ga x 1-1/4"	1000 lbs	218 lbs



## VAN HANGER - 5732 Series

**SIZE RANGE:** 1/2" through 1" copper tubing

**ORDERING:** Specify copper tube size and Part Number

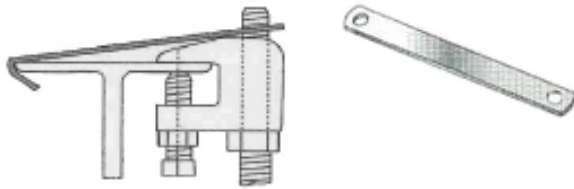
**FUNCTION:** It replaces the heavy cast brass concealed screw hanger. It is made to support pipes at various distances from the wall.

PART #	PHOTO REFERENCE					Carton Qty	Appox WT. per 100 pcs
	Pipe Size A	B	C	D	E		
5732-304	1/2"	1-7/8"	2-3/8"	3/4"	1-5/8"	25	7.5 lbs
5732-306	3/4"	1-7/8"	2-3/8"	3/4"	1-5/8"	25	8.0 lbs
5732-310	1"	1-7/8"	2-3/8"	3/4"	1-5/8"	25	8.5 lbs



# RETAINING/PIPE STRAPS

Click on any Part# for additional product details



## RETAINING STRAP - 5740 SERIES

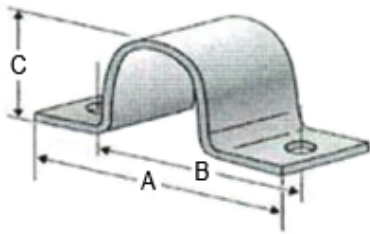
**SIZE RANGE:** 6" through 16" length

**MATERIAL:** Low Carbon Steel

**FINISH:** Black

**ORDERING:** Specify length and Part Number  
Straps are punched with (1) 3/8" and (1) 1/2" hole on each strap end

PART #	Hole Size	Length	Weight Ea (lbs)
<a href="#">5740-6-ZP</a>	3/8" & 1/2"	6"	.08560
<a href="#">5740-8-ZP</a>	3/8" & 1/2"	8"	.10000
<a href="#">5740-9-ZP</a>	3/8" & 1/2"	9"	.10800
<a href="#">5740-10-ZP</a>	3/8" & 1/2"	10"	.13140
<a href="#">5740-12-ZP</a>	3/8" & 1/2"	12"	.15000
<a href="#">5740-14-ZP</a>	3/8" & 1/2"	14"	.18000
<a href="#">5740-16-ZP</a>	3/8" & 1/2"	16"	.21760



## TWO HOLE PIPE STRAP - 5743 SERIES

**SIZE RANGE:** 3/8" through 2" pipe size

**MATERIAL:** Low Carbon Steel

**FINISH:** Electro Galvanized

**ORDERING:** Specify pipe size and part number

**FUNCTION:** Designed to hold pipe flush with the mounting surface

PART #	Pipe Size	PHOTO REFERENCE			Weight Ea (lbs)
		A	B	C	
<a href="#">5743-203</a>	3/8"	2-3/8"	1-5/8"	5/8"	.03 lbs
<a href="#">5743-204</a>	1/2"	2-5/8"	1-7/8"	7/8"	.04 lbs
<a href="#">5743-206</a>	3/4"	2-3/4"	2"	1-1/8"	.05 lbs
<a href="#">5743-210</a>	1"	3-3/8"	2-5/8"	1-1/4"	.06 lbs
<a href="#">5743-212</a>	1-1/4"	4-1/4"	3-1/4"	1-5/8"	.08 lbs
<a href="#">5743-214</a>	1-1/2"	4-1/2"	3-1/2"	1-7/8"	.10 lbs
<a href="#">5743-220</a>	2"	5-1/2"	4-1/8"	2-3/8"	.13 lbs

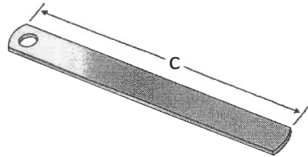
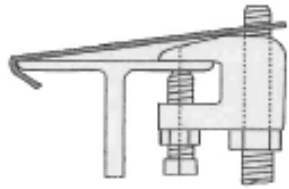
EMAIL:  
SALES@MASTERD.US

**MASTER**  
**DISTRIBUTION**  
An AFC Industries Company

PHONE: 330-220-3600  
FAX: 330-220-3641

# RETAINING STRAPS

Click on any Part# for additional product details



## RETAINING STRAP - 5745 SERIES

**SIZE RANGE:** 4-1/2" through 14" length

**MATERIAL:** Low Carbon Steel

**FINISH:** Black

**ORDERING:** Specify rod size, length and Part Number

PART #	Rod Size	Material Size	Length "C"	Weight Ea (lbs)
<a href="#">5745-1304</a>	3/8"	14 ga x 1"	4-1/2"	.15
<a href="#">5754-1306</a>	3/8"	14 ga x 1"	6"	.21
<a href="#">5754-1308</a>	3/8"	14 ga x 1"	8"	.28
<a href="#">5754-1310</a>	3/8"	14 ga x 1"	10"	.35
<a href="#">5754-1314</a>	3/8"	14 ga x 1"	14"	.49

PART #	Rod Size	Material Size	Length "C"	Weight Ea (lbs)
<a href="#">5745-1404</a>	1/2"	14 ga x 1"	4-1/2"	.15
<a href="#">5754-1406</a>	1/2"	14 ga x 1"	6"	.21
<a href="#">5754-1408</a>	1/2"	14 ga x 1"	8"	.28
<a href="#">5754-1410</a>	1/2"	14 ga x 1"	10"	.35
<a href="#">5754-1414</a>	1/2"	14 ga x 1"	14"	.49

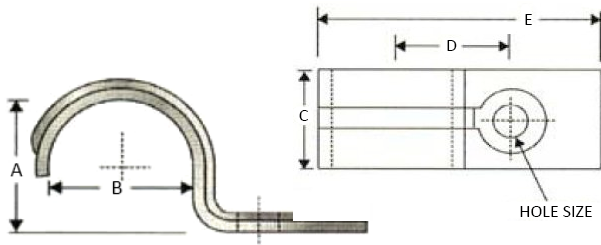
PART #	Rod Size	Material Size	Length "C"	Weight Ea (lbs)
<a href="#">5745-1504</a>	5/8"	14 ga x 1-1/4"	4-1/2"	.20
<a href="#">5754-1506</a>	5/8"	14 ga x 1-1/4"	6"	.26
<a href="#">5754-1508</a>	5/8"	14 ga x 1-1/4"	8"	.35
<a href="#">5754-1510</a>	5/8"	14 ga x 1-1/4"	10"	.44
<a href="#">5754-1514</a>	5/8"	14 ga x 1-1/4"	14"	.62

PART #	Rod Size	Material Size	Length "C"	Weight Ea (lbs)
<a href="#">5745-1604</a>	3/4"	14 ga x 1-1/4"	4-1/2"	.20
<a href="#">5754-1606</a>	3/4"	14 ga x 1-1/4"	6"	.26
<a href="#">5754-1608</a>	3/4"	14 ga x 1-1/4"	8"	.35
<a href="#">5754-1610</a>	3/4"	14 ga x 1-1/4"	10"	.44
<a href="#">5754-1614</a>	3/4"	14 ga x 1-1/4"	14"	.62

PART #	Rod Size	Material Size	Length "C"	Weight Ea (lbs)
<a href="#">5745-1704</a>	7/8"	14 ga x 2"	4-1/2"	.32
<a href="#">5754-1706</a>	7/8"	14 ga x 2"	6"	.42
<a href="#">5754-1708</a>	7/8"	14 ga x 2"	8"	.56
<a href="#">5754-1710</a>	7/8"	14 ga x 2"	10"	.70
<a href="#">5754-1714</a>	7/8"	14 ga x 2"	14"	.98

# CLIPS/RETAINING STRAPS

Click on any Part# for additional product details



## ONE HOLE CLIP - 5754 SERIES

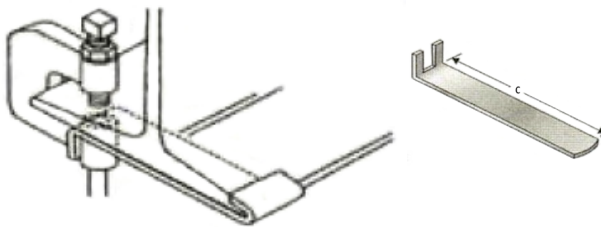
**MATERIAL:** Carbon Steel

**FINISH:** Electro-plated Zinc

**ORDERING:** Specify rod size, length, finish and part number

**FUNCTION:** Designed to eliminate possible movement of the beam clamp due to vibration

PART #	Tube Size	PHOTO REFERENCE				
		A	B	C	D	E
5754-204	1/2"	5/8"	5/8"	3/4"	3/4"	1-3/4"
5754-206	3/4"	7/8"	7/8"	3/4"	1"	2-1/8"
5754-210	1"	1-1/8"	1-1/8"	7/8"	1-1/4"	2-5/8"
5754-212	1-1/4"	1-1/2"	1-1/2"	7/8"	1-5/8"	3-1/4"
5754-214	1-1/2"	1-3/4"	1-3/4"	1-1/4"	1-5/8"	3-3/4"
5754-220	2"	2-1/8"	2-1/8"	1-1/2"	2"	4-1/8"



## RETAINING STRAP - 5755 SERIES

**SIZE RANGE:** 4-1/2" through 14" length

**MATERIAL:** Low carbon steel

**FINISH:** Black  
Also available in Electro Galvanized

**ORDERING:** Specify length and Part Number

**FUNCTION:** Designed to eliminate possible movement of the beam clamp due to vibration

PART #	Material Size	Length "C"	Weight Ea (lbs)
5755-104	11 ga x 1"	4-1/2"	.15
5755-106	11 ga x 1"	6"	.22
5755-108	11 ga x 1"	8"	.33
5755-110	11 ga x 1"	10"	.36
5755-114	11 ga x 1"	14"	.50

Used with 520 Series C-Clamps  
Add 1" to beam flange width to determine length

EMAIL:  
SALES@MASTERD.US

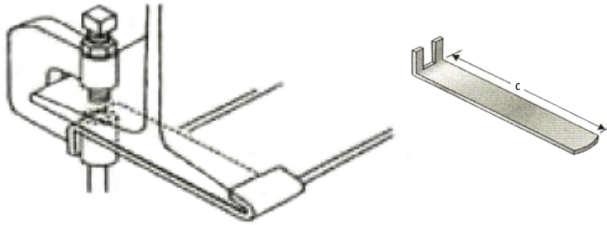
**MASTER**  
**DISTRIBUTION**  
An AFC Industries Company

PHONE: 330-220-3600  
FAX: 330-220-3641

69

# RETAINING STRAPS/CLAMPS

Click on any Part# for additional product details



## RETAINING STRAP - 5756 SERIES

**SIZE RANGE:** 4-1/2" through 14" length

**MATERIAL:** Low carbon steel

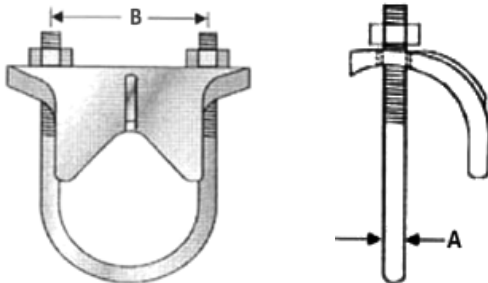
**FINISH:** Black

PART #	Material Size	Length "C"	Weight Ea (lbs)
5756-104	11 ga x 1-1/4"	4-1/2"	.21
5756-106	11 ga x 1-1/4"	6"	.28
5756-108	11 ga x 1-1/4"	8"	.36
5756-110	11 ga x 1-1/4"	10"	.45
5756-114	11 ga x 1-1/4"	14"	.59

**ORDERING:** Specify length and Part Number

**FUNCTION:** Designed to eliminate possible movement of the beam clamp due to vibration

Used with 521 Series C-Clamps  
Add 1" to beam flange width to determine length



## RIGHT ANGLE CLAMP - 5758 Series

**SIZE RANGE:** 3/8" through 4" pipe size

**MATERIAL:** Malleable Iron with carbon steel U-bolt

**FINISH:** Hot Dipped Galvanized

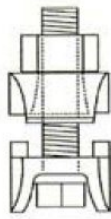
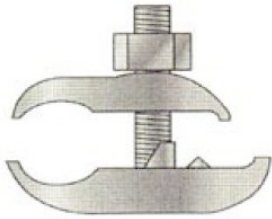
**ORDERING:** Specify pipe size and Part Number

**FUNCTION:** Designed to anchor pipe or conduit at a right angle to the structural member

PART #	Pipe Size	PHOTO REFERENCE		Carton Qty	Appox WT. per 100 pcs
		A	B		
5780-903	3/8"	1/4"	1-5/8"	25	33
5780-904	1/2"	5/16"	2"	25	41
5780-906	3/4"	5/16"	2-1/8"	25	42
5780-910	1"	5/16"	2-3/8"	25	47
5780-912	1-1/4"	5/16"	3"	25	54
5780-914	1-1/2"	5/16"	3-1/2"	25	57
5780-920	2"	3/8"	4"	10	85
5780-924	2-1/2"	3/8"	4-3/8"	10	106
5780-930	3"	3/8"	5"	5	110
5780-934	3-1/2"	3/8"	5-1/2"	5	128
5780-940	4"	3/8"	6"	5	140

# CONDUIT SUPPORTS

Click on any Part# for additional product details



## PARALLEL CONDUIT SUPPORT - 5781 Series

**SIZE RANGE:** 1/2" through 4" pipe size

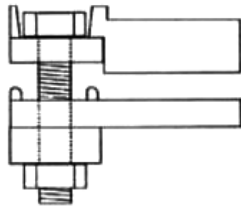
**MATERIAL:** Malleable Iron

**FINISH:** Hot Dipped Galvanized

**ORDERING:** Specify pipe size and Part Number

**FUNCTION:** Designed to anchor pipe parallel to the run of the structure

PART #	Pipe Size	Carton Qty	Appox WT. per 100 pcs
5781-904	1/2"	50	58
5781-906	3/4"	50	64
5781-910	1"	50	70
5781-912	1-1/4"	25	72
5781-914	1-1/2"	25	93
5781-920	2"	25	100
5781-924	2-1/2"	25	135
5781-930	3"	10	155
5781-934	3-1/2"	10	190
5781-940	4"	10	205



## EDGE TYPE CONDUIT SUPPORT - 5782 Series

**SIZE RANGE:** 1/2" through 3" pipe size

**MATERIAL:** Carbon Steel

**FINISH:** Hot Dipped Galvanized

**ORDERING:** Specify pipe size and Part Number

**FUNCTION:** Designed to anchor pipe perpendicular to the run of the structure

PART #	Pipe Size	Carton Qty	Appox WT. per 100 pcs
5782-904	1/2"	50	67
5782-906	3/4"	25	71
5782-910	1"	25	85
5782-912	1-1/4"	25	91
5782-914	1-1/2"	25	115
5782-920	2"	25	135
5782-924	2-1/2"	10	183
5782-930	3"	10	230

EMAIL:  
SALES@MASTERD.US

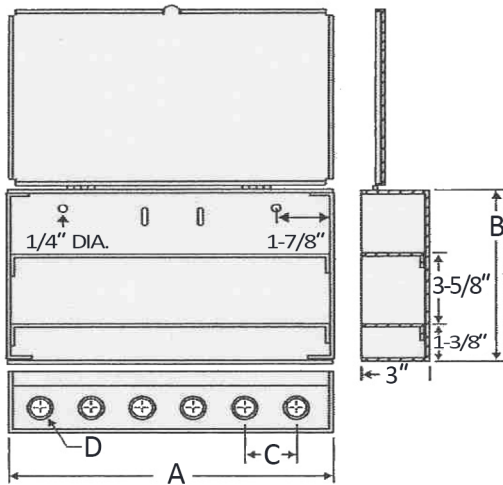
**MASTER**  
**DISTRIBUTION**  
An AFC Industries Company

PHONE: 330-220-3600  
FAX: 330-220-3641

71

# SPRINKLER HEAD SPARE CABINET

Click on any Part# for additional product details



## SPRINKLER HEAD SPARE CABINET - 5900 Series

**SIZE RANGE:** 6 head and 12 head available

**MATERIAL:** Steel

**FINISH:** Red

**ORDERING:** Specify Part Number

**APPROVALS:** Underwriter's Laboratories

PART #	PHOTO REFERENCE						Carton Quantity	Appox WT. per 100 pcs
	A	B	C	D	Head Storage	Depth		
<b>5900G104</b>	14-1/4"	4-3/4"	2-1/2"	7/8" & 1-1/8"	6	3"	40	270 lbs
<b>5900G204</b>	14-1/4"	8-3/8"	2-1/2"	7/8" & 1-1/8"	12	3"	18	470 lbs