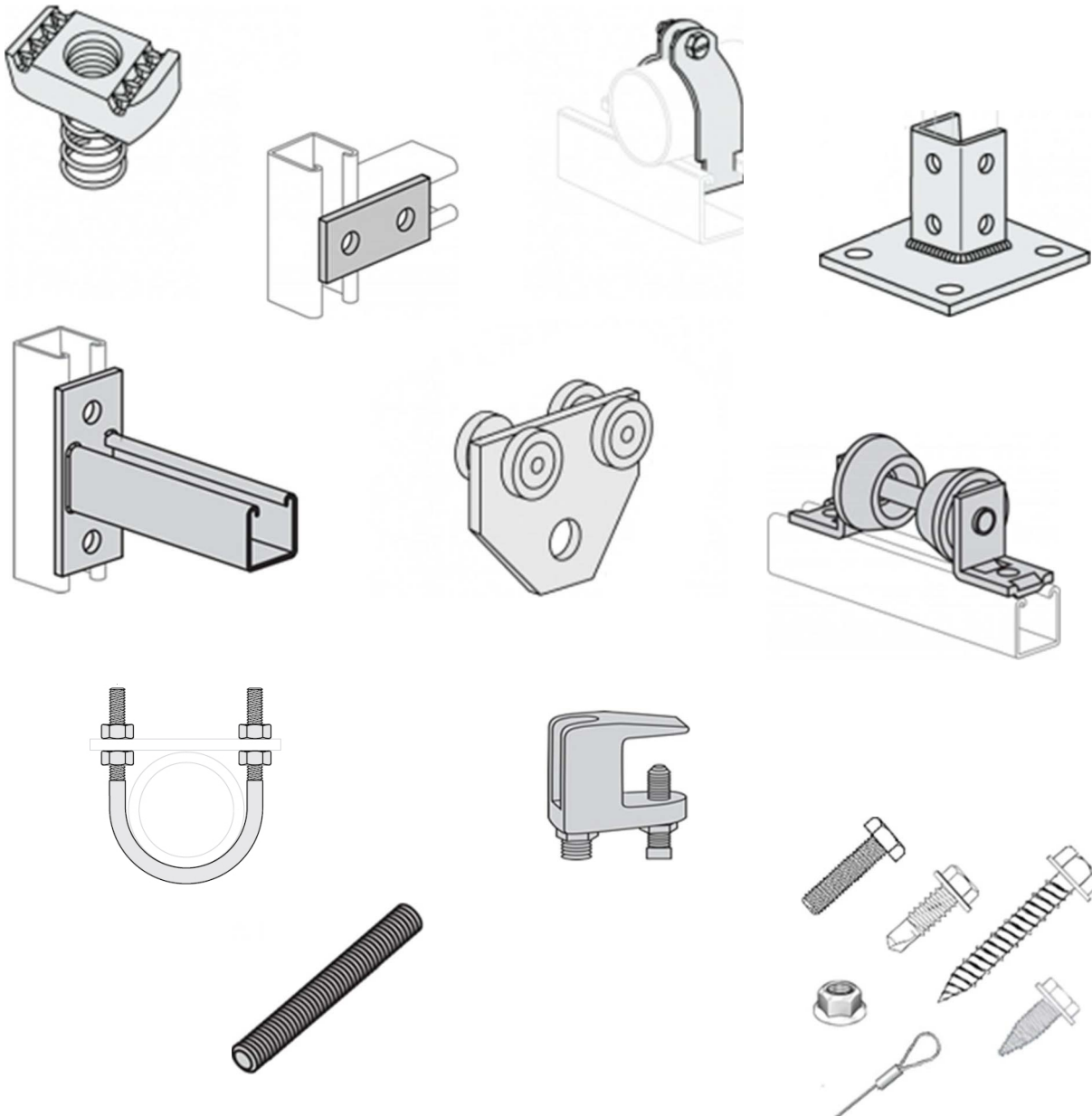


# MASTER DISTRIBUTION

An AFC Industries Company

## Channel Fittings & Accessories



[www.masterd.us](http://www.masterd.us)  
[Sales@masterd.us](mailto:Sales@masterd.us)

1645 Industrial Pkwy  
Brunswick, OH 44212

Phone: 330-220-3600  
Fax: 330-220-3641

# CONTENTS

<b>TERMS &amp; CONDITIONS</b>	-	<b>PAGE 3</b>
<b>CHANNEL NUTS</b>	-	<b>PAGE 4</b>
<b>PIPE CLAMPS</b>	-	<b>PAGE 7</b>
<b>FLAT FITTINGS</b>	-	<b>PAGE 12</b>
<b>90° FITTINGS</b>	-	<b>PAGE 15</b>
<b>ANGLE FITTINGS</b>	-	<b>PAGE 18</b>
<b>U SHAPE FITTINGS</b>	-	<b>PAGE 20</b>
<b>Z SHAPE FITTINGS</b>	-	<b>PAGE 23</b>
<b>WING FITTINGS</b>	-	<b>PAGE 24</b>
<b>POST BASES</b>	-	<b>PAGE 28</b>
<b>BRACES &amp; BRACKETS</b>	-	<b>PAGE 30</b>
<b>MISCELLANEOUS HARDWARE</b>	-	<b>PAGE 35</b>
<b>BEAM CLAMPS</b>	-	<b>PAGE 42</b>
<b>THREADED ROD</b>	-	<b>PAGE 46</b>
<b>U-BOLTS</b>	-	<b>PAGE 47</b>
<b>FASTENERS</b>	-	<b>PAGE 48</b>
<b>INDEX</b>	-	<b>PAGE 49</b>

THIS PAGE INTENTIONALLY LEFT BLANK

# TERMS AND CONDITIONS

**Terms:** Net 30 Days with approved credit. 1-1/2% per month for past due accounts

**Freight:** F.O.B. Brunswick, OH.

**Prices:** Subject to change without notice. We reserve the right to apply prices prevailing at the time of shipment.

**Minimum Invoice:** \$50.00 plus transportation.

**Packaging:** Unless specified at time of order, all material shipped in original packaging and in carton quantities specified herein.

**Returns:** No materials shall be returned without the permission of Master Distribution, as shown by the issuance of a Returned Goods Authorization number. Returned goods must be in saleable condition and in Master Distribution's original packaging. Freight for returned goods is the responsibility of the customer. Returns subject to a 25% restocking charge.

**Liability:** Returned goods, if accepted by us as defective or incorrect, will be replaced if available. The amount of claim is limited to the invoice amount. All claims must be in writing within 30 days from receipt of material. No claims for labor, alternate purchase, extra freight or other expenditures will be accepted.

**Loss or Damage in Transit:** All products shipped will be carefully examined, counted and packed. Any claim for shortages must be made within 10 days of receipt of shipment. Claims for products damaged or lost in transit should be made to the carrier. Seller will assist buyer in securing adjustment of such claims.

**Misuse:** Seller shall not be liable for damage to property or persons due to improper installation or conditions exceeding the designed capabilities of the material.

**Dimensions and Weights:** All weights and dimensions listed on quotations, acknowledgements, pack lists, invoices, cartons and in this catalog are approximate and not guaranteed.

**Product Design:** Subject to change without notice.

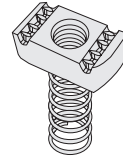
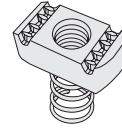
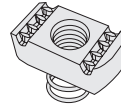
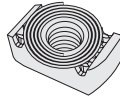
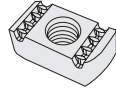
**Special Orders:** Orders covering special or non-standard goods are not subject to cancellation except upon such terms as may be agreed upon at time of order.

Domestically produced parts may be available upon request.

# CHANNEL NUTS

Click on any Part# for additional product details

STANDARD FINISH: E/G  
ALSO AVAILABLE: HDG



SIZE	THICK	NO SPRING ALL CHANNEL 100 PCS/CTN	TOP SPRING ALL CHANNEL 100 PCS/CTN	SHORT SPRING 13/16 CHANNEL 100 PCS/CTN	REGULAR SPRING 1-5/8 CHANNEL 100 PCS/CTN	LONG SPRING 3-1/4 DEEP CHANNEL 50 PCS/CTN
8-32	1/4	4162	4142	4130	4115	4101
10-32	1/4	4163	4143	4131	4116	4102
10-24	1/4	4164	4144	4132	4117	4103
1/4-20	1/4	4165	4145	4133	4118	4104
5/16-18	3/8	4166	4146	4134	4119	4105
5/16-18	1/4	4167	-	4135	4120	-
3/8-16	3/8	4168	4147	4136	4121	4106
3/8-16	1/4	4169	4148	4137	4122	4107
7/16-14	3/8	4170	-	4138	4123	4108
1/2-13	1/2	4171	4149	-	4124	4109
1/2-13	3/8	4172	4150	4139	4125	4110
5/8-11	7/16	4173	-	-	4126	4111
5/8-11	3/8	4174	-	4140	-	-
3/4-10	7/16	4175	-	-	4127	4112
7/8-9	7/16	4176	-	-	4128	-
M6-1	1/4	4208	-	4202	4195	4190
M8-1.25	1/4	4209	-	4203	4196	4191
M10-1.5	3/8	4210	-	4204	4197	4192
M12-1.75	3/8	4211	-	4205	4198	4193
M12-1.75	1/2	4212	-	-	4199	-

## 316 STAINLESS STEEL

1/4-20	1/4	4165S2	-	4133S2	4118S2	-
1/4-20	3/8	4165S2	-	4133S2	4118S2	4104S2
5/16-18	3/8	4166S2	-	4134S2	4119S2	-
3/8-16	3/8	4168S2	-	4136S2	4121S2	4106S2
1/2-13	3/8	4172S2	-	4139S2	4125S2	-
1/2-13	1/2	4171S2	-	-	4124S2	4109S2
5/8-11	1/2	4173S2	-	-	4126S2	-
3/4-10	1/2	4175S2	-	-	4127S2	-
7/8-9	1/2	4176S2	-	-	4128S2	-

EMAIL:  
SALES@MASTERD.US

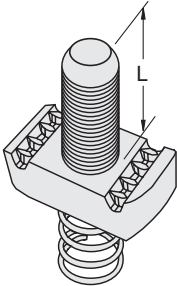
**MASTER**  
**DISTRIBUTION**  
An AFC Industries Company

PHONE: 330-220-3600  
FAX: 330-220-3641

# CHANNEL NUTS

Click on any Part# for additional product details

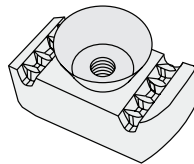
## REGULAR SPRING CHANNEL NUTS W/ STUD



SIZE	NUT THICKNESS	STUD LENGTH	PART #	QTY./CTN	WGT./100
1/4-20	1/4"	1	<a href="#">423416</a>	50	7
		1-1/4	<a href="#">423420</a>	50	8
		1-1/2	<a href="#">423424</a>	50	8
3/8-16	3/8"	1	<a href="#">423516</a>	50	11
		1-1/4	<a href="#">423520</a>	50	12
		1-1/2	<a href="#">423524</a>	50	13
1/2-13	1/2"	1	<a href="#">423616</a>	50	17
		1-1/4	<a href="#">423620</a>	50	18
		1-1/2	<a href="#">423624</a>	50	19

## EZ NUTS

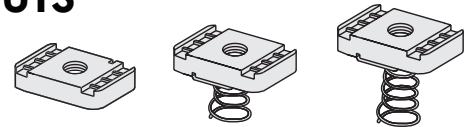
FOR ALL CHANNEL



SIZE	NUT THICKNESS	PART #	QTY./CTN.	WGT./100
1/4	3/8"	<a href="#">4145EZ</a>	100	9
3/8	3/8"	<a href="#">4147EZ</a>	100	9
1/2	3/8"	<a href="#">4149EZ</a>	100	8

## MINI NUTS

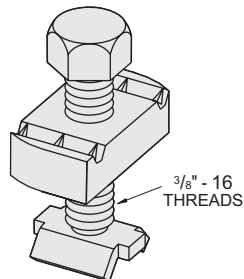
FOR JUNIOR CHANNEL



SIZE	NO SPRING 200 PCS/CTN	SHORT SPRING 200 PCS/CTN	LONG SPRING 200 PCS/CTN
8-32	-	<a href="#">4184</a>	<a href="#">4180</a>
10-32	<a href="#">41872</a>	<a href="#">4185</a>	<a href="#">4181</a>
10-24	<a href="#">41874</a>	<a href="#">4186</a>	<a href="#">4182</a>
1/4-20	<a href="#">4188</a>	<a href="#">4187</a>	<a href="#">4183</a>

## SEISMIC ROD STIFFENER

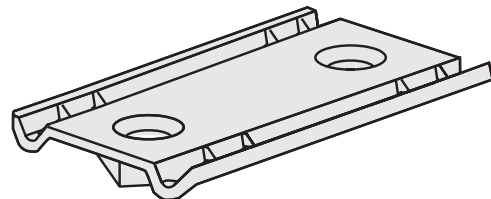
FOR 3/8" - 5/8" THREADED ROD



**4930**

100/CTN  
16 LBS/100

## 3/8" DOUBLE CONVEYOR ADJUSTING NUT



**4857**

50/CTN  
17 LBS/100

# TECHNICAL DATA

OUTSIDE DIAMETER OF ELECTRICAL CONDUIT/STEEL PIPE						
SIZE	EMT		IMC		RIGID/STEEL PIPE	
	DECIMAL	FRACTION	DECIMAL	FRACTION	DECIMAL	FRACTION
1/2	0.706	11/16	0.815	13/16	0.840	13/16
3/4	0.922	15/16	1.029	1	1.050	1-1/16
1	1.163	1-3/16	1.290	1-5/16	1.315	1-5/16
1-1/4	1.510	1-1/2	1.638	1-5/8	1.660	1-11/16
1-1/2	1.740	1-3/4	1.883	1-7/8	1.900	1-7/8
2	2.197	2-3/16	2.360	2-3/8	2.375	2-3/8
2-1/2	2.875	2-7/8	2.857	2-7/8	2.875	2-7/8
3	3.500	3-1/2	3.476	3-1/2	3.500	3-1/2
3-1/2	4.000	4	3.971	4	4.000	4
4	4.500	4-1/2	4.466	4-7/16	4.500	4-1/2
5	-	-	-	-	5.563	5-9/16

### MD TIP:

“Universal clamps can be used with both EMT and RIGID pipe - BUT - for the best possible fit, specify either EMT or RIGID sizes.”



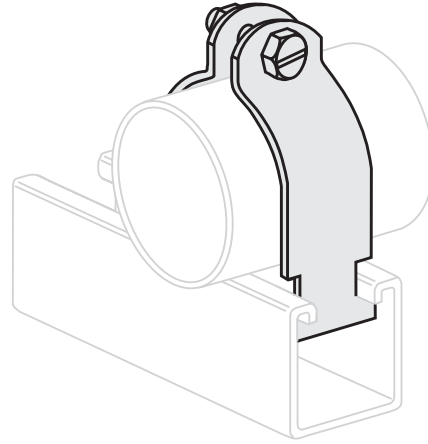
OUTSIDE DIAMETER OF COPPER TUBE		
NOMINAL SIZE	TYPE M, L, K	
	DECIMAL	FRACTION
1/4"	0.375	3/8
3/8"	0.500	1/2
1/2"	0.625	5/8
3/4"	0.875	7/8
1"	1.125	1-1/8
1-1/4"	1.375	1-3/8
1-1/2"	1.625	1-5/8
2"	2.125	2-1/8
2-1/2"	2.625	2-5/8
3"	3.125	3-1/8
3-1/2"	3.625	3-5/8
4"	4.125	4-1/8
5"	5.125	5-1/8
6"	6.125	6-1/8
8"	8.125	8-1/8

# PIPE CLAMPS

Click on any Part# for additional product details

## PIPE CLAMPS - ASSEMBLED

- UNIVERSAL
- EMT
- RIGID



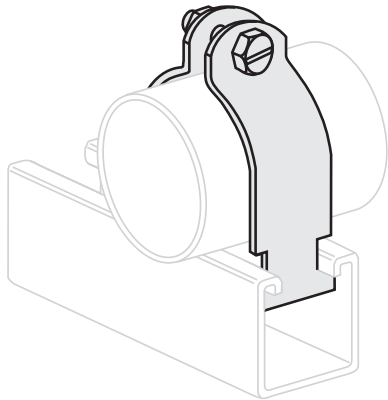
PIPE SIZE	CTN. QTY.	WGT./100	UNIVERSAL	EMT	RIGID	
1/2	100	10	4301	4311	4322	
3/4	100	12	4302	4312	4323	
1	100	14	4303	4313	4324	
1-1/4	100	17	4304	4314	4325	
1-1/2	50	26	4305	4315	4326	
2	50	29	4306	4316	4327	
2-1/2	50	36	<b>USE RIGID SIZES</b>			4328
3	50	40				4329
3-1/2	25	57				4330
4	25	61				4331
5	25	73				4332
6	25	83				4333
7	25	115				4334
8	25	128				4335
10	25	143				4336
12	25	174				4337

STANDARD FINISH - EG ALSO AVAILABLE: STAINLESS STEEL & ALUMINUM



# OD PIPE CLAMPS

Click on any Part# for additional product details



O.D. SIZE	PART #	QTY./CTN.	WGT. /100
1/4	<a href="#">4340</a>	100	7
3/8	<a href="#">4341</a>	100	8
1/2	<a href="#">4342</a>	100	8
5/8	<a href="#">4343</a>	100	9
3/4	<a href="#">4344</a>	100	10
7/8	<a href="#">4345</a>	100	11
1	<a href="#">4346</a>	100	12
1-1/8	<a href="#">4347</a>	100	14
1-1/4	<a href="#">4348</a>	100	15
1-3/8	<a href="#">4349</a>	100	16
1-1/2	<a href="#">4350</a>	100	17
1-5/8	<a href="#">4351</a>	50	18
1-3/4	<a href="#">4352</a>	50	26
1-7/8	<a href="#">4353</a>	50	28
2	<a href="#">4354</a>	50	29
2-1/8	<a href="#">4355</a>	50	29
2-1/4	<a href="#">4356</a>	50	32
2-3/8	<a href="#">4357</a>	50	32
2-1/2	<a href="#">4358</a>	50	33
2-5/8	<a href="#">4359</a>	50	34
2-3/4	<a href="#">4360</a>	50	35
2-7/8	<a href="#">4361</a>	50	36
3	<a href="#">4362</a>	50	37
3-1/8	<a href="#">4363</a>	50	38
3-1/4	<a href="#">4364</a>	50	40
3-3/8	<a href="#">4365</a>	50	42
3-1/2	<a href="#">4366</a>	50	45
3-5/8	<a href="#">4367</a>	25	54
3-3/4	<a href="#">4368</a>	25	56
3-7/8	<a href="#">4369</a>	25	57
4	<a href="#">4370</a>	25	58
4-1/8	<a href="#">4371</a>	25	60
4-1/4	<a href="#">4372</a>	25	61
4-3/8	<a href="#">4373</a>	25	62
4-1/2	<a href="#">4374</a>	25	63

STANDARD FINISH - EG ALSO AVAILABLE: STAINLESS STEEL & ALUMINUM

EMAIL:  
SALES@MASTERD.US



PHONE: 330-220-3600  
FAX: 330-220-3641

# OD PIPE CLAMPS

Click on any Part# for additional product details

O.D. SIZE	PART #	QTY./CTN.	WGT. /100
4-5/8	<a href="#">4375</a>	25	64
4-3/4	<a href="#">4376</a>	25	65
4-7/8	<a href="#">4377</a>	25	66
5	<a href="#">4378</a>	25	67
5-1/8	<a href="#">4379</a>	25	69
5-1/4	<a href="#">4380</a>	25	70
5-3/8	<a href="#">4381</a>	25	74
5-1/2	<a href="#">4382</a>	25	76
5-5/8	<a href="#">4383</a>	25	83
5-3/4	<a href="#">4384</a>	25	87
5-7/8	<a href="#">4385</a>	25	88
6	<a href="#">4386</a>	25	90
6-1/8	<a href="#">4387</a>	25	91
6-1/4	<a href="#">4388</a>	25	92
6-3/8	<a href="#">4389</a>	25	93
6-1/2	<a href="#">4390</a>	25	94
6-5/8	<a href="#">4391</a>	25	96
6-3/4	<a href="#">4392</a>	25	97
6-7/8	<a href="#">4393</a>	25	98
7	<a href="#">4394</a>	25	101
7-1/8	<a href="#">4395</a>	25	103
7-1/4	<a href="#">4396</a>	25	104
7-3/8	<a href="#">4397</a>	25	105
7-1/2	<a href="#">4398</a>	25	106
7-5/8	<a href="#">4399</a>	25	107
7-3/4	<a href="#">4400</a>	25	111
7-7/8	<a href="#">4401</a>	25	112
8	<a href="#">4402</a>	25	113
8-1/8	<a href="#">4403</a>	25	114
8-1/4	<a href="#">4404</a>	25	115
8-3/8	<a href="#">4405</a>	25	116
8-1/2	<a href="#">4406</a>	25	117
8-5/8	<a href="#">4407</a>	25	118

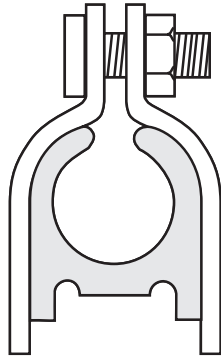
O.D. SIZE	PART #	QTY./CTN.	WGT. /100
8-3/4	<a href="#">440701</a>	25	119
8-7/8	<a href="#">440702</a>	25	120
9	<a href="#">440703</a>	25	121
9-1/8	<a href="#">440704</a>	25	123
9-1/4	<a href="#">440705</a>	25	124
9-3/8	<a href="#">440706</a>	25	126
9-1/2	<a href="#">440707</a>	25	128
9-5/8	<a href="#">440708</a>	25	131
9-3/4	<a href="#">440709</a>	25	132
9-7/8	<a href="#">440710</a>	25	135
10	<a href="#">440711</a>	25	136
10-1/8	<a href="#">440712</a>	25	137
10-1/4	<a href="#">440713</a>	25	138
10-3/8	<a href="#">440714</a>	25	140
10-1/2	<a href="#">440715</a>	25	143
10-5/8	<a href="#">440716</a>	25	145
10-3/4	<a href="#">4408</a>	25	146
10-7/8	<a href="#">440801</a>	25	146
11	<a href="#">440802</a>	25	146
11-1/8	<a href="#">440803</a>	25	148
11-1/4	<a href="#">440804</a>	25	150
11-3/8	<a href="#">440805</a>	25	151
11-1/2	<a href="#">440806</a>	25	153
11-5/8	<a href="#">440807</a>	25	154
11-3/4	<a href="#">440808</a>	25	156
11-7/8	<a href="#">440809</a>	25	157
12	<a href="#">440810</a>	25	158
12-1/8	<a href="#">440811</a>	25	160
12-1/4	<a href="#">440812</a>	25	161
12-3/8	<a href="#">440813</a>	25	162
12-1/2	<a href="#">440814</a>	25	164
12-5/8	<a href="#">440815</a>	25	165
12-3/4	<a href="#">4409</a>	25	174

STANDARD FINISH - EG ALSO AVAILABLE: STAINLESS STEEL & ALUMINUM

# PIPE CLAMPS

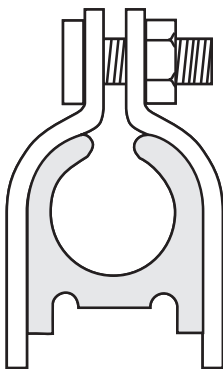
Click on any Part# for additional product details

## CUSHION CLAMPS FOR PIPE



PIPE SIZE	PART #	QTY./CTN.	WGT. /100
1/4	<a href="#">4411</a>	25	12
3/8	<a href="#">4412</a>	25	13
1/2	<a href="#">4413</a>	25	20
3/4	<a href="#">4414</a>	25	29
1	<a href="#">4415</a>	25	40
1-1/4	<a href="#">4416</a>	10	45
1-1/2	<a href="#">4417</a>	10	49
2	<a href="#">4418</a>	10	56
2-1/2	<a href="#">4419</a>	10	73
3	<a href="#">4420</a>	5	77
3-1/2	<a href="#">4421</a>	5	97
4	<a href="#">4422</a>	5	110
5	<a href="#">4423</a>	5	130
6	<a href="#">4424</a>	5	140

## CUSHION CLAMPS FOR O.D.



O.D. SIZE	PART #	QTY. CTN.	WGT. /100
1/4	<a href="#">4430</a>	25	13
5/16	<a href="#">4431</a>	25	13
3/8	<a href="#">4432</a>	25	14
1/2	<a href="#">4434</a>	25	15
5/8	<a href="#">4435</a>	25	16
3/4	<a href="#">4436</a>	25	19
7/8	<a href="#">4437</a>	25	20
1	<a href="#">4438</a>	25	27
1-1/8	<a href="#">4439</a>	25	31
1-1/4	<a href="#">4441</a>	10	34
1-3/8	<a href="#">4442</a>	10	38
1-1/2	<a href="#">4443</a>	10	39
1-5/8	<a href="#">4444</a>	10	43

O.D. SIZE	PART #	QTY. CTN.	WGT. /100
1-3/4	<a href="#">4445</a>	10	43
1-7/8	<a href="#">4446</a>	10	41
2	<a href="#">4447</a>	10	48
2-1/8	<a href="#">4448</a>	10	57
2-1/4	<a href="#">4449</a>	10	60
2-3/8	<a href="#">4450</a>	10	56
2-1/2	<a href="#">4451</a>	10	53
2-5/8	<a href="#">4452</a>	10	53
3	<a href="#">4453</a>	5	65
3-1/8	<a href="#">4454</a>	5	63
3-5/8	<a href="#">4455</a>	5	78
4-1/8	<a href="#">4456</a>	5	90
6-1/8	<a href="#">4458</a>	5	170

STANDARD FINISH - YELLOW ZINC

EMAIL:  
SALES@MASTERD.US

**MASTER**  
**DISTRIBUTION**  
An AFC Industries Company

PHONE: 330-220-3600  
FAX: 330-220-3641

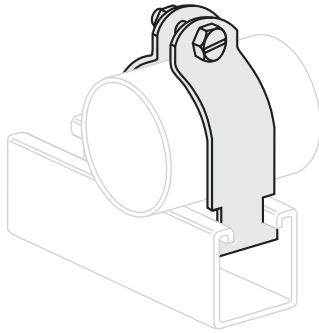
10

# PIPE CLAMPS

Click on any Part# for additional product details

## COPPER TUBE CLAMPS

COPPER PLATED

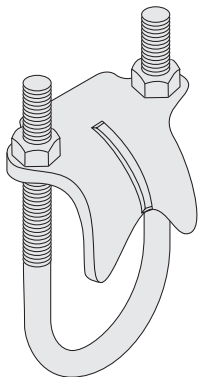


COPPER TUBE SIZE	O.D. SIZE	PART #	QTY./ CTN.	WGT./ 100
1/4"	3/8"	<b>4481</b>	100	8
3/8"	1/2"	<b>4482</b>	100	8
1/2"	5/8"	<b>4483</b>	100	10
3/4"	7/8"	<b>4484</b>	100	11
1"	1-1/8"	<b>4485</b>	100	15
1-1/4"	1-3/8"	<b>4486</b>	100	17
1-1/2"	1-5/8"	<b>4487</b>	50	18
2"	2-1/8"	<b>4488</b>	50	32
2-1/2"	2-5/8"	<b>4489</b>	50	35
3"	3-1/8"	<b>4490</b>	50	39
3-1/2"	3-5/8"	<b>4491</b>	25	54
4"	4-1/8"	<b>4492</b>	25	61
5"	5-1/8"	<b>4493</b>	25	69
6"	6-1/8"	<b>4494</b>	25	91
8"	8-1/8"	<b>4495</b>	25	114

## RIGHT ANGLE CLAMPS

AVAILABLE IN:

- HDG
- 316 STAINLESS STEEL

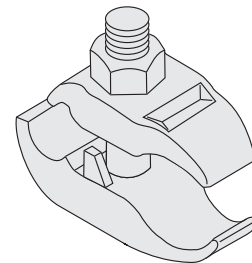


PIPE SIZE	HDG PART #	QTY./ CTN.	WGT./ 100
1/2"	<b>5780-904</b>	25	41.00
3/4"	<b>5780-906</b>	25	42.00
1"	<b>5780-910</b>	25	47.00
1-1/4"	<b>5780-912</b>	25	54.00
1-1/2"	<b>5780-914</b>	25	57.00
2"	<b>5780-920</b>	10	85.00
2-1/2"	<b>5780-924</b>	10	106.00
3"	<b>5780-930</b>	5	110.00
3-1/2"	<b>5780-934</b>	5	128.00
4"	<b>5780-940</b>	5	140.00

## PARALLEL CLAMPS

AVAILABLE IN:

- HDG
- 316 STAINLESS STEEL



PIPE SIZE	HDG PART #	QTY. CTN.	WGT./ 100
3/4"	<b>5781-906</b>	10	64
1"	<b>5781-910</b>	10	70

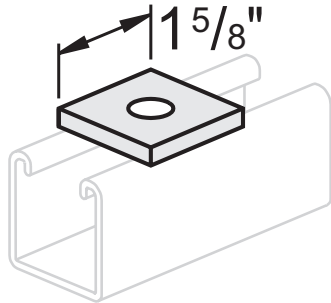
# FLAT

## CHANNEL FITTINGS

Click on any Part# for additional product details

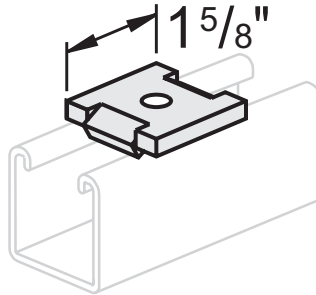
### SQUARE WASHERS

FLAT



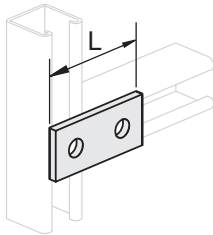
100/CTN  
16 LBS/100

W/ GUIDES



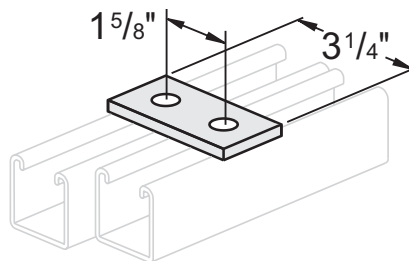
SIZE	FLAT P/N	W/ GUIDES P/N
1/4	4600	4606
3/8	4601	4607
1/2	4602	4608
5/8	4603	4609
3/4	4604	4610
7/8	4605	-

### 2 HOLE SPLICE



P/N	L	CTN. QTY.	LBS/100
4612	3-1/2"	50	33
4615	4-5/8"	50	50

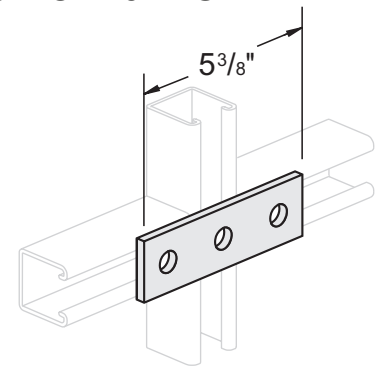
### 2 HOLE SPLICE



4614

50/CTN  
31 LBS/100

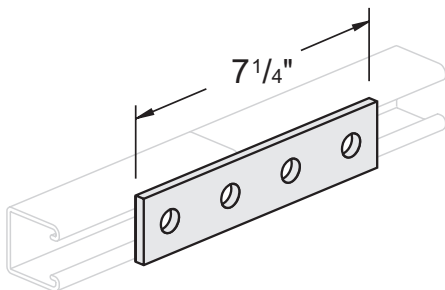
### 3 HOLE SPLICE



4616

50/CTN  
58 LBS/100

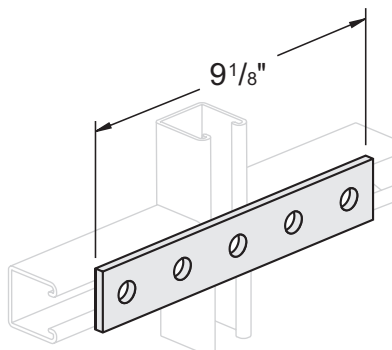
### 4 HOLE SPLICE



4617

25/CTN  
69 LBS/100

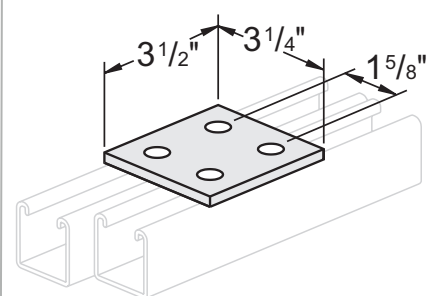
### 5 HOLE SPLICE



4618

25/CTN  
95 LBS/100

### 4 HOLE SQUARE SPLICE



4624

25/CTN  
74 LBS/100

UNLESS SPECIFIED, MATERIAL IS 1-5/8" WIDE. HOLES ARE 9/16" DIAMETER, 13/16" CENTER TO EDGE, & SPACED 1-7/8" ON CENTER. STANDARD FINISH - EG ALSO AVAILABLE: STAINLESS STEEL & HOT DIPPED GALVANIZED

EMAIL:  
SALES@MASTERD.US

**MASTER**  
**DISTRIBUTION**  
An AFC Industries Company

PHONE: 330-220-3600  
FAX: 330-220-3641

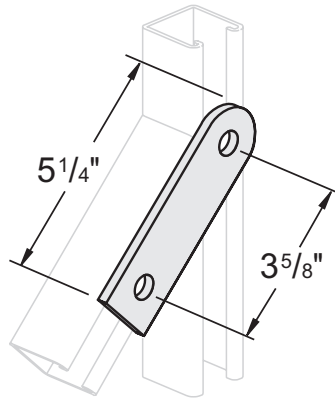
12

# FLAT

## CHANNEL FITTINGS

Click on any Part# for additional product details

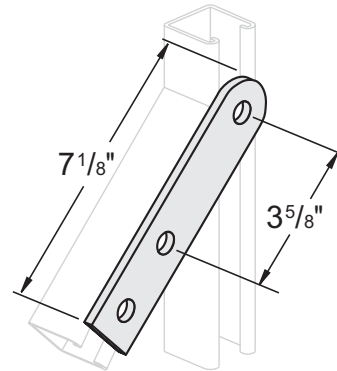
### 2 HOLE FLAT SWIVEL



**4619**

25/CTN  
49 LBS/100

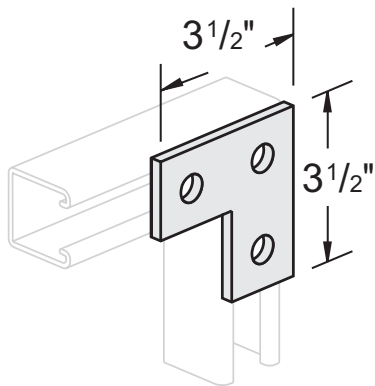
### 3 HOLE FLAT SWIVEL



**4620**

25/CTN  
76 LBS/100

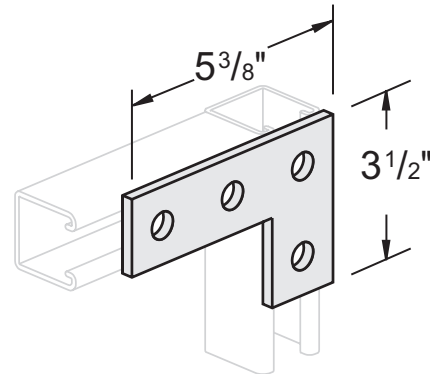
### 3 HOLE FLAT CORNER



**4621**

50/CTN  
50 LBS/100

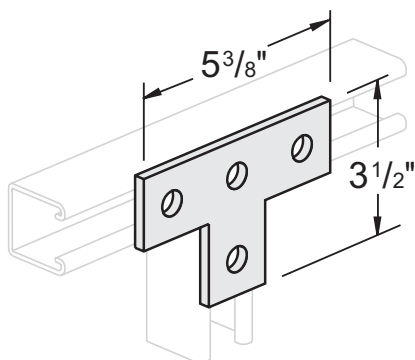
### 4 HOLE FLAT CORNER



**4625**

20/CTN  
69 LBS/100

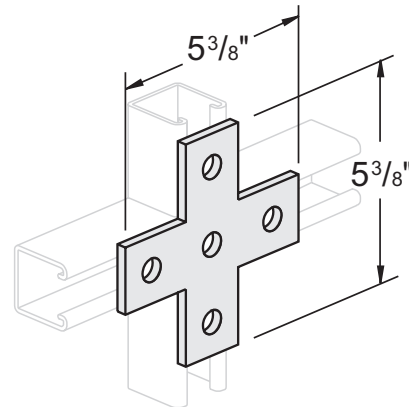
### 4 HOLE FLAT TEE



**4627**

25/CTN  
66 LBS/100

### 5 HOLE FLAT CROSS



**4628**

25/CTN  
90 LBS/100

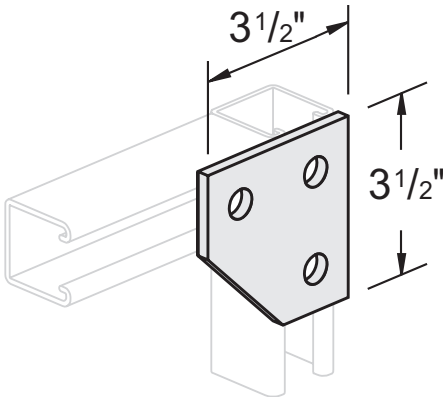
UNLESS SPECIFIED, MATERIAL IS 1-5/8" WIDE. HOLES ARE 9/16" DIAMETER, 13/16" CENTER TO EDGE, & SPACED 1-7/8" ON CENTER. STANDARD FINISH - EG ALSO AVAILABLE: STAINLESS STEEL & HOT DIPPED GALVANIZED

# FLAT

CHANNEL FITTINGS

Click on any Part# for additional product details

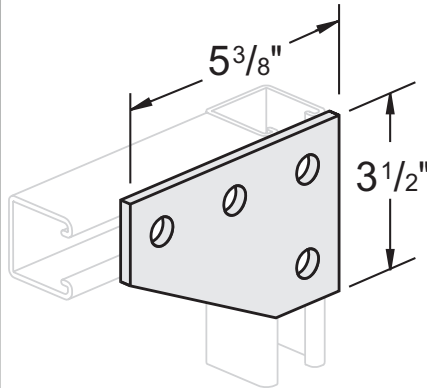
## 3 HOLE FLAT CORNER



**4622**

25/CTN  
70 LBS/100

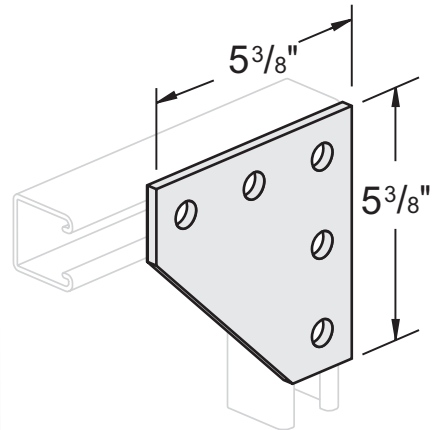
## 4 HOLE FLAT CORNER



**4626**

25/CTN  
92 LBS/100

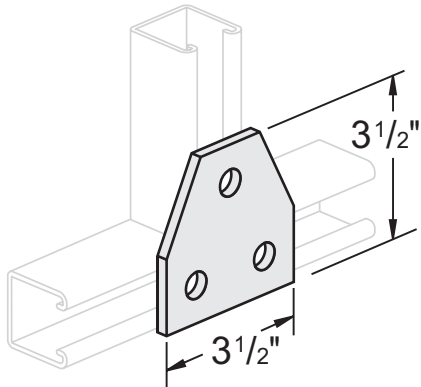
## 5 HOLE FLAT CORNER



**4631**

10/CTN  
135 LBS/100

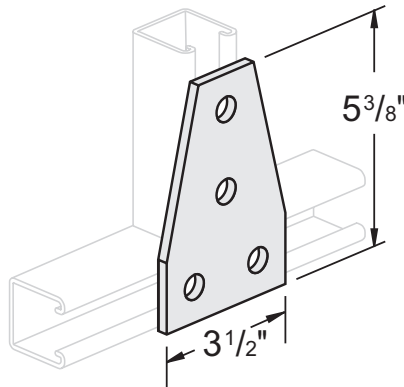
## 3 HOLE FLAT TEE



**4623**

50/CTN  
70 LBS/100

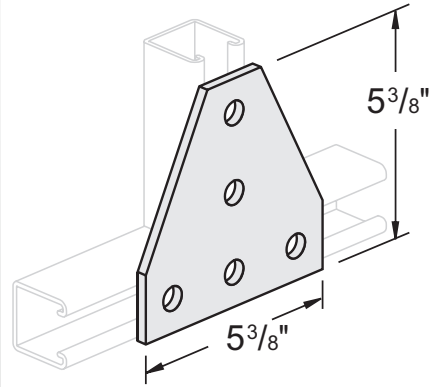
## 4 HOLE FLAT TEE



**4629**

25/CTN  
93 LBS/100

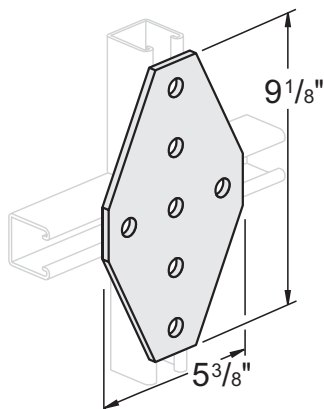
## 5 HOLE FLAT TEE



**4630**

25/CTN  
143 LBS/100

## 7 HOLE FLAT CROSS



**4633**

10/CTN  
240 LBS/100

**Can't find what you need?**

**Then give the experts a call!**



**We're waiting to put our knowledge & experience to work for you!**

**330-220-3600**

UNLESS SPECIFIED, MATERIAL IS 1-5/8" WIDE. HOLES ARE 9/16" DIAMETER, 13/16" CENTER TO EDGE, & SPACED 1-7/8" ON CENTER. STANDARD FINISH - EG ALSO AVAILABLE: STAINLESS STEEL & HOT DIPPED GALVANIZED

EMAIL:  
SALES@MASTERD.US

**MASTER**  
**DISTRIBUTION**  
An AFC Industries Company

PHONE: 330-220-3600  
FAX: 330-220-3641

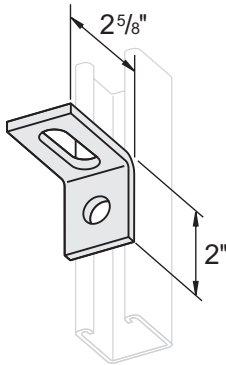
**14**

# 90 DEGREE

CHANNEL FITTINGS

Click on any Part# for additional product details

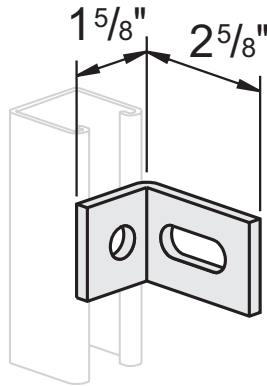
## 1 HOLE ADJUSTABLE CORNER ANGLE



**4645**

25/CTN  
42 LBS/100

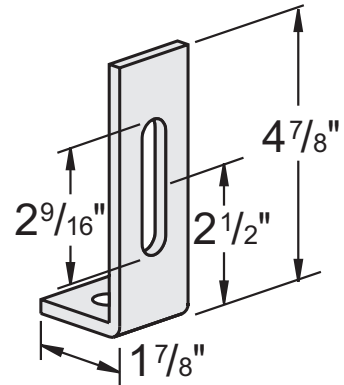
## 1 HOLE ADJUSTABLE CORNER ANGLE



**4646**

50/CTN  
38 LBS/100

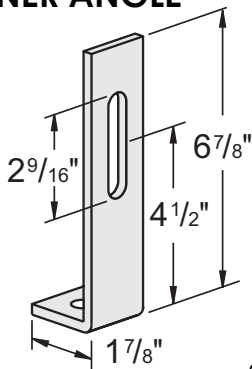
## 1 HOLE ADJUSTABLE CORNER ANGLE



**4647**

25/CTN  
59 LBS/100

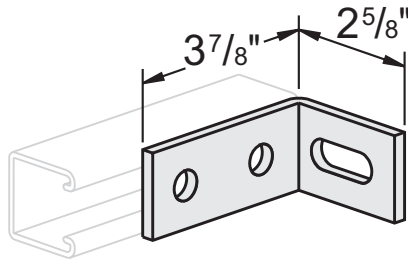
## 1 HOLE ADJUSTABLE CORNER ANGLE



**4648**

25/CTN  
81 LBS/100

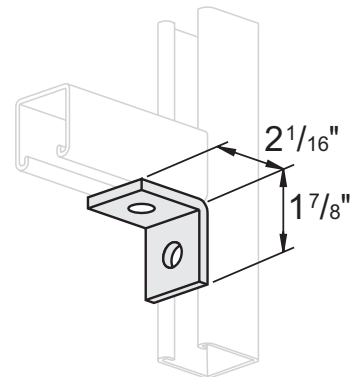
## 2 HOLE ADJUSTABLE CORNER ANGLE



**4652**

25/CTN  
63 LBS/100

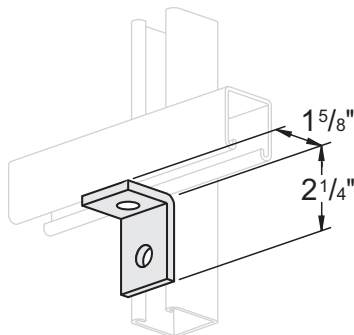
## 2 HOLE END ANGLE



**4641**

50/CTN  
35 LBS/100

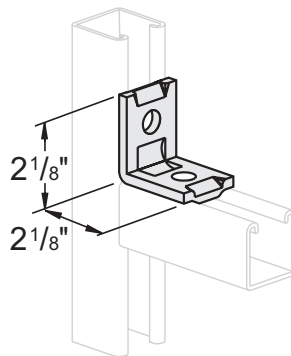
## 2 HOLE CORNER ANGLE



**4642**

25/CTN  
33 LBS/100

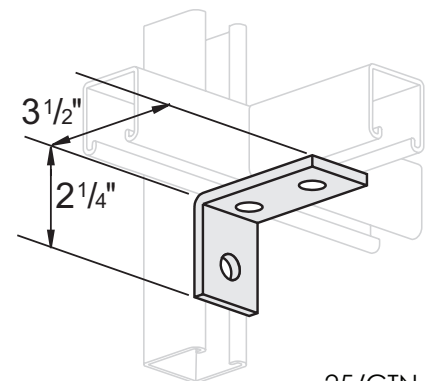
## 2 HOLE END ANGLE W/GUIDES



**4643**

50/CTN  
37 LBS/100

## 3 HOLE CORNER ANGLE



**4649**

25/CTN  
50 LBS/100

UNLESS SPECIFIED, MATERIAL IS 1-5/8" WIDE. HOLES ARE 9/16" DIAMETER, 13/16" CENTER TO EDGE, & SPACED 1-7/8" ON CENTER. STANDARD FINISH - EG ALSO AVAILABLE: STAINLESS STEEL & HOT DIPPED GALVANIZED

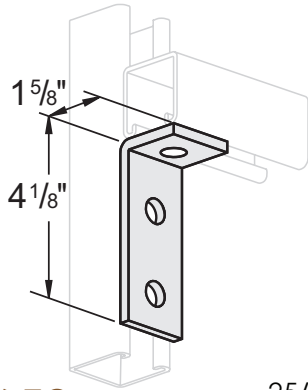


# 90 DEGREE

CHANNEL FITTINGS

Click on any Part# for additional product details

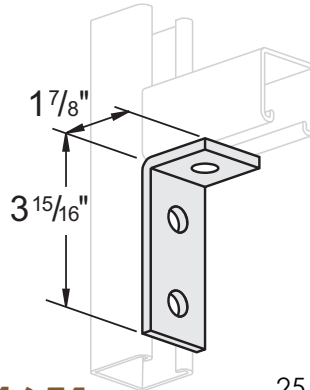
## 3 HOLE CORNER ANGLE



**4650**

25/CTN  
50 LBS/100

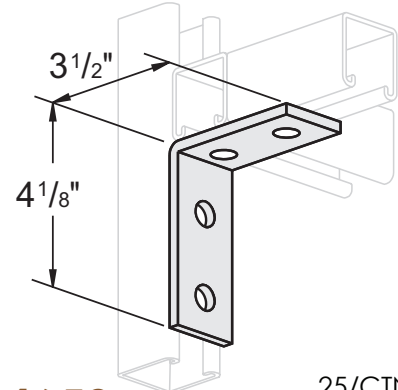
## 3 HOLE CORNER ANGLE



**4651**

25/CTN  
51 LBS/100

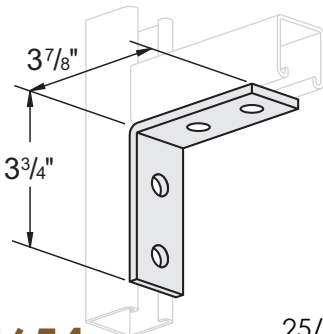
## 4 HOLE CORNER ANGLE



**4653**

25/CTN  
69 LBS/100

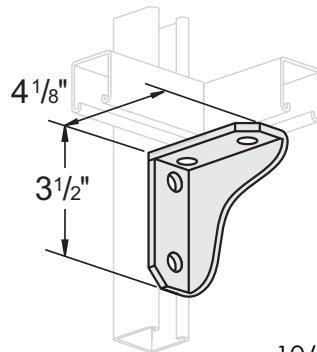
## 4 HOLE CORNER ANGLE



**4654**

25/CTN  
68 LBS/100

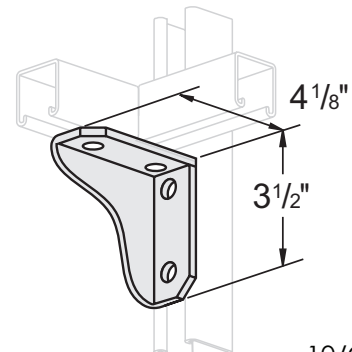
## 4 HOLE R. H. GUSSET



**4655R**

10/CTN  
114 LBS/100

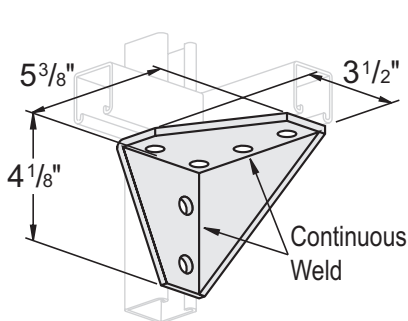
## 4 HOLE L. H. GUSSET



**4655L**

10/CTN  
114 LBS/100

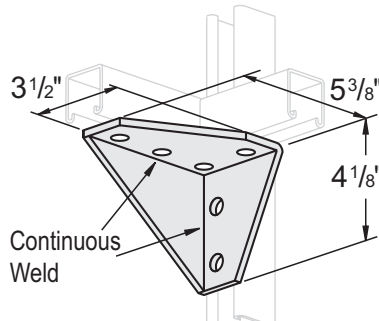
## 6 HOLE R. H. GUSSETED ANGLE CONNECTOR



**4665R**

10/CTN  
236 LBS/100

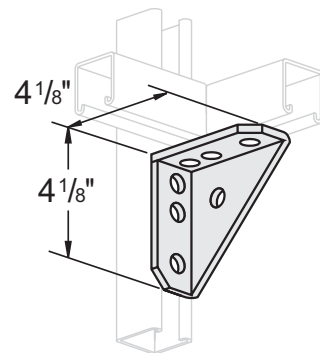
## 6 HOLE L. H. GUSSETED ANGLE CONNECTOR



**4665L**

10/CTN  
236 LBS/100

## 7 HOLE UNIVERSAL CORNER ANGLE



**4657**

10/CTN  
127 LBS/100

UNLESS SPECIFIED, MATERIAL IS 1-5/8" WIDE. HOLES ARE 9/16" DIAMETER, 13/16" CENTER TO EDGE, & SPACED 1-7/8" ON CENTER. STANDARD FINISH - EG ALSO AVAILABLE: STAINLESS STEEL & HOT DIPPED GALVANIZED

EMAIL:  
SALES@MASTERD.US

**MASTER**  
**DISTRIBUTION**  
An AFC Industries Company

PHONE: 330-220-3600  
FAX: 330-220-3641

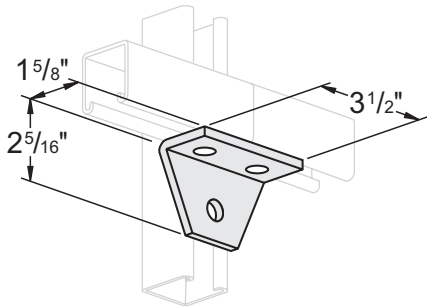
16

# 90 DEGREE

CHANNEL FITTINGS

Click on any Part# for additional product details

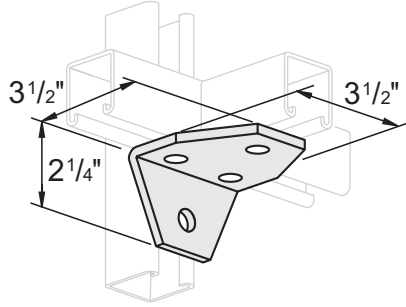
## 3 HOLE SHELF ANGLE



**4658**

25/CTN  
70 LBS/100

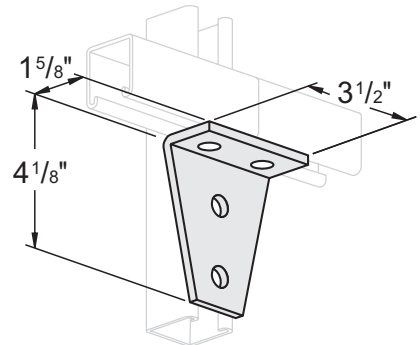
## 4 HOLE SHELF ANGLE



**4659**

25/CTN  
100 LBS/100

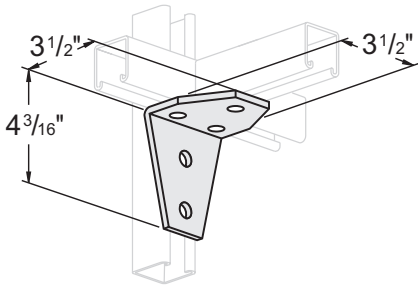
## 4 HOLE SHELF ANGLE



**4660**

25/CTN  
105 LBS/100

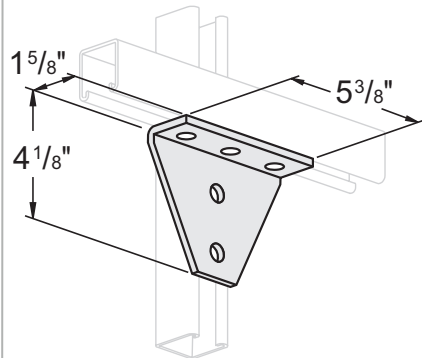
## 5 HOLE SHELF ANGLE



**4661**

10/CTN  
135 LBS/100

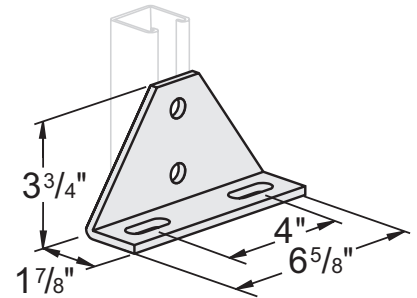
## 5 HOLE SHELF ANGLE



**4662**

10/CTN  
155 LBS/100

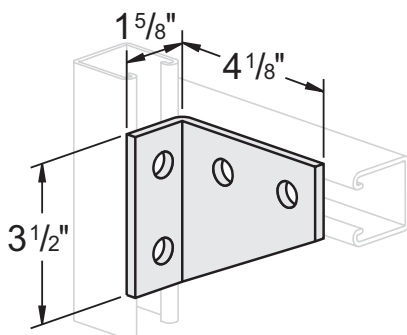
## 2 HOLE 2 SLOT ADJ. SUPPORT ANGLE



**4663**

10/CTN  
171 LBS/100

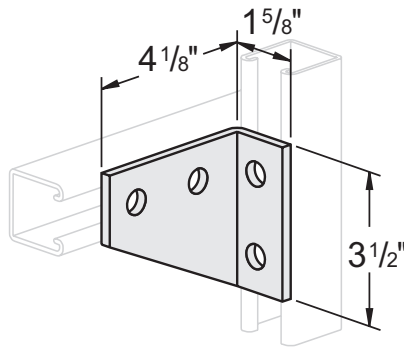
## 4 HOLE L. H. ANGLE



**4666L**

10/CTN  
105 LBS/100

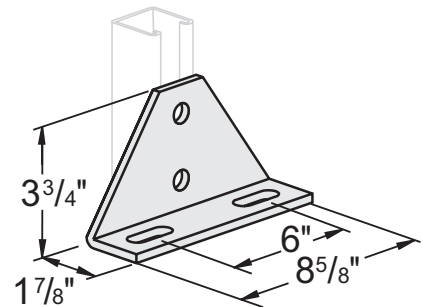
## 4 HOLE R. H. ANGLE



**4666R**

10/CTN  
105 LBS/100

## 2 HOLE 2 SLOT ADJ. SUPPORT ANGLE



**4664**

10/CTN  
200 LBS/100

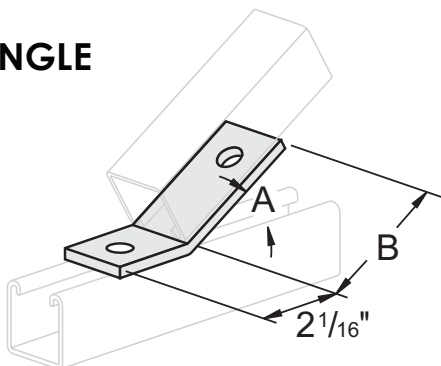
UNLESS SPECIFIED, MATERIAL IS 1-5/8" WIDE. HOLES ARE 9/16" DIAMETER, 13/16" CENTER TO EDGE, & SPACED 1-7/8" ON CENTER. STANDARD FINISH - EG ALSO AVAILABLE: STAINLESS STEEL & HOT DIPPED GALVANIZED

# ANGLE

## CHANNEL FITTINGS

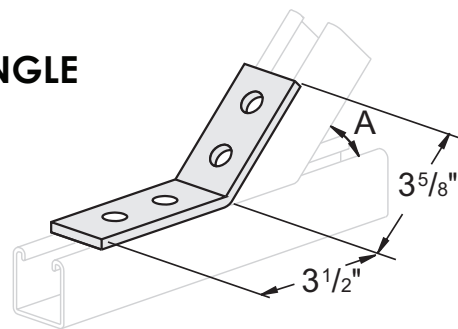
Click on any Part# for additional product details

### 2 HOLE OPEN ANGLE



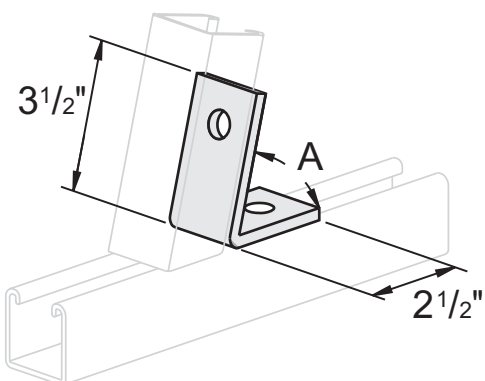
P/N	A	B	CTN. QTY.	LBS/100
<a href="#">467615</a>	15°	3-5/16"	25	54
<a href="#">467630</a>	30°	3-5/16"		
<a href="#">467645</a>	45°	3-1/4"		
<a href="#">467660</a>	60°	3-1/4"		

### 4 HOLE OPEN ANGLE



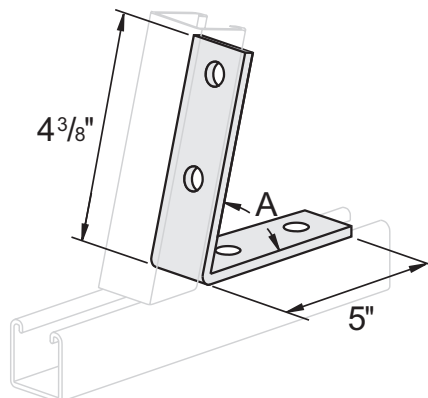
P/N	A	CTN. QTY.	LBS/100
<a href="#">467915</a>	15°	25	70
<a href="#">467930</a>	30°		
<a href="#">467945</a>	45°		
<a href="#">467960</a>	60°		
<a href="#">467967</a>	67°		
<a href="#">467975</a>	75°		

### 2 HOLE CLOSED ANGLE



P/N	A	CTN. QTY.	LBS/100
<a href="#">467745</a>	45°	25	53
<a href="#">467760</a>	60°		

### 4 HOLE CLOSED ANGLE



P/N	A	CTN. QTY.	LBS/100
<a href="#">467845</a>	45°	20	88
<a href="#">467860</a>	60°		

UNLESS SPECIFIED, MATERIAL IS 1-5/8" WIDE. HOLES ARE 9/16" DIAMETER, 13/16" CENTER TO EDGE, & SPACED 1-7/8" ON CENTER. STANDARD FINISH - EG ALSO AVAILABLE: STAINLESS STEEL & HOT DIPPED GALVANIZED

EMAIL:  
SALES@MASTERD.US

**MASTER**  
**DISTRIBUTION**  
An AFC Industries Company

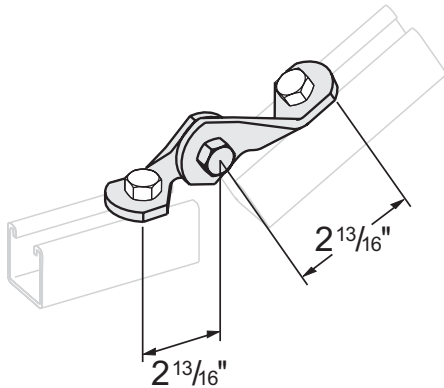
PHONE: 330-220-3600  
FAX: 330-220-3641

# ANGLE

## CHANNEL FITTINGS

Click on any Part# for additional product details

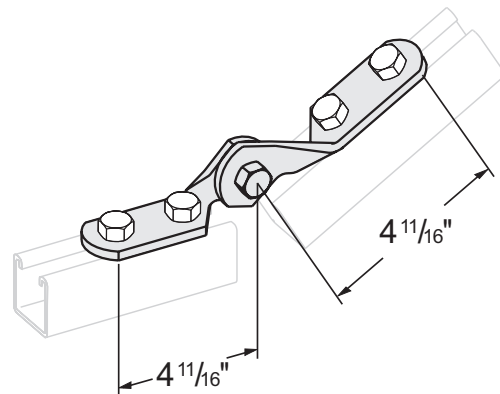
### 2 HOLE ADJUSTABLE HINGE



**4681**

10/CTN  
89 LBS/100

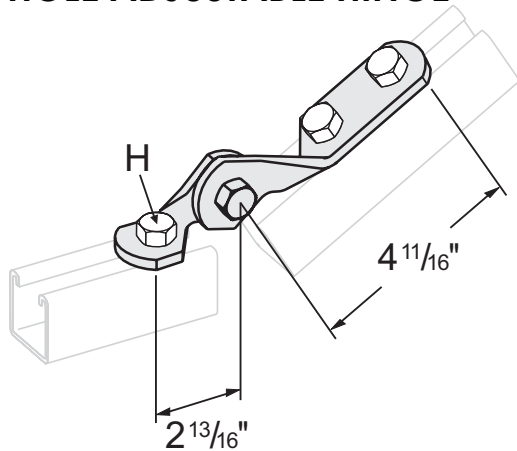
### 4 HOLE ADJUSTABLE HINGE



**4683**

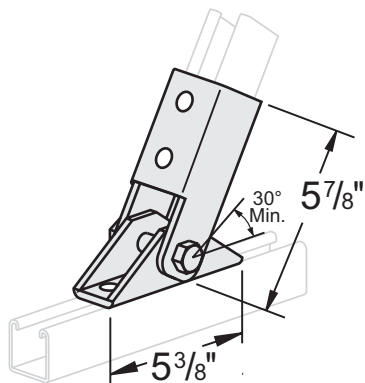
10/CTN  
120 LBS/100

### 3 HOLE ADJUSTABLE HINGE



P/N	H	CTN. QTY.	LBS/100
<b>46823</b>	3/8"	10	106
<b>46824</b>	1/2"		104
<b>46825</b>	5/8"		102
<b>46826</b>	3/4"		100

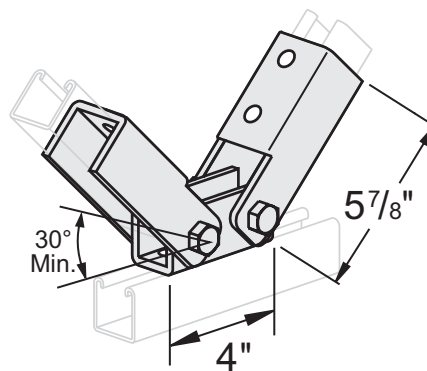
### ADJ. SINGLE CHANNEL BRACE



**4684**

5/CTN  
250 LBS/100

### ADJ. DOUBLE CHANNEL BRACE



**4685**

5/CTN  
500 LBS/100

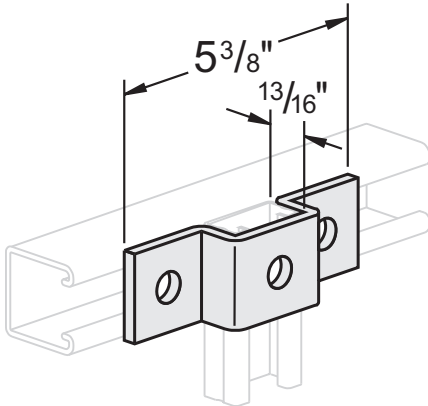
UNLESS SPECIFIED, MATERIAL IS 1-5/8" WIDE. HOLES ARE 9/16" DIAMETER, 13/16" CENTER TO EDGE, & SPACED 1-7/8" ON CENTER. STANDARD FINISH - EG ALSO AVAILABLE: STAINLESS STEEL & HOT DIPPED GALVANIZED

# U SHAPE

CHANNEL FITTINGS

Click on any Part# for additional product details

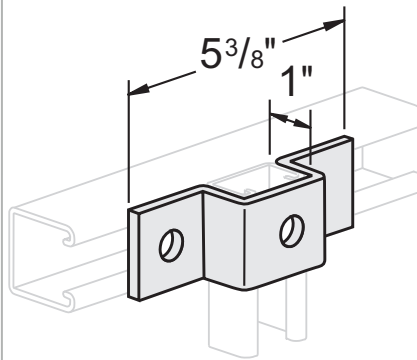
## 3 HOLE U SUPPORT



**4696**

25/CTN  
62.0 LBS/100

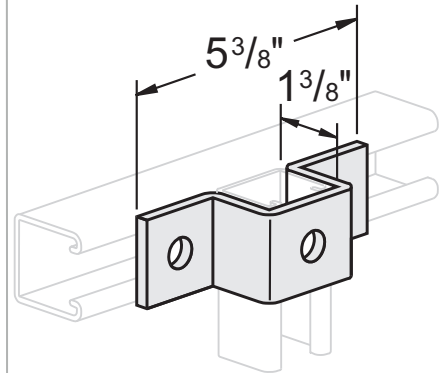
## 3 HOLE U SUPPORT



**4697**

25/CTN  
66.0 LBS/100

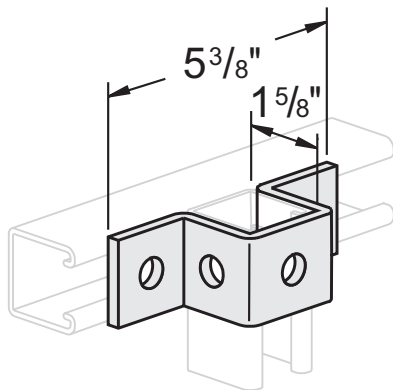
## 3 HOLE U SUPPORT



**4698**

25/CTN  
70.0 LBS/100

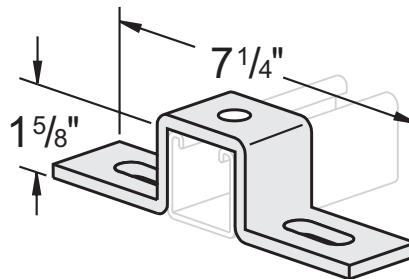
## 5 HOLE U SUPPORT



**4699**

15/CTN  
72.0 LBS/100

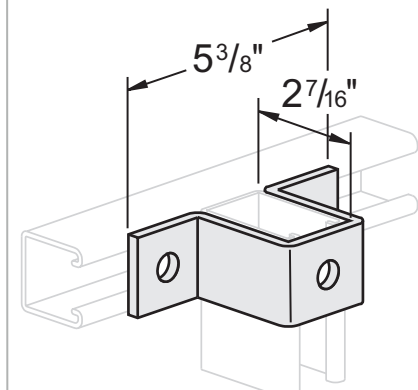
## 1 HOLE ADJ. U SUPPORT W/ SLOTS



**4700**

10/CTN  
96.0 LBS/100

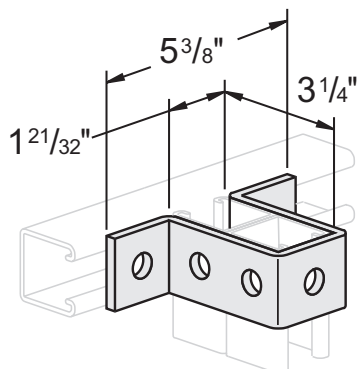
## 3 HOLE U SUPPORT W/ SLOTS



**4702**

15/CTN  
108.0 LBS/100

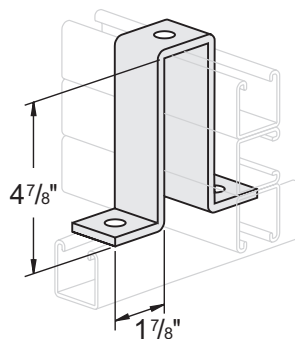
## 7 HOLE U SUPPORT



**4703**

25/CTN  
121.0 LBS/100

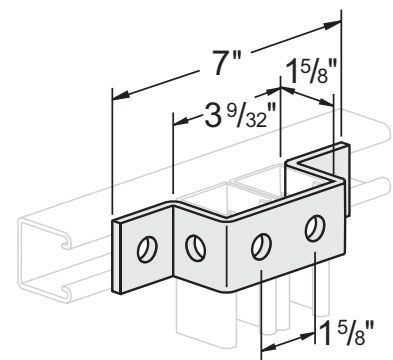
## 3 HOLE U SUPPORT



**4704**

10/CTN  
197.0 LBS/100

## 6 HOLE U SUPPORT



**4701**

10/CTN  
103.0 LBS/100

UNLESS SPECIFIED, MATERIAL IS 1-5/8" WIDE. HOLES ARE 9/16" DIAMETER, 13/16" CENTER TO EDGE, & SPACED 1-7/8" ON CENTER. STANDARD FINISH - EG ALSO AVAILABLE: STAINLESS STEEL & HOT DIPPED GALVANIZED

EMAIL:  
SALES@MASTERD.US

**MASTER**  
**DISTRIBUTION**  
An AFC Industries Company

PHONE: 330-220-3600  
FAX: 330-220-3641

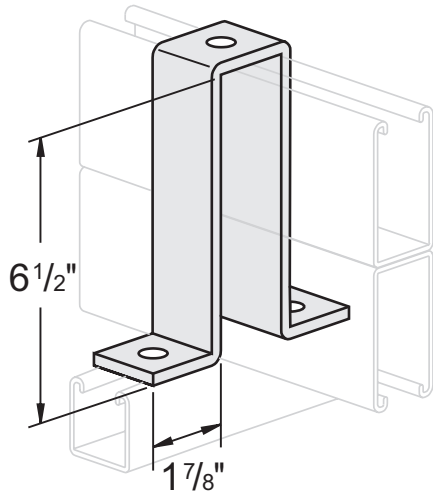
**20**

# U SHAPE

CHANNEL FITTINGS

Click on any Part# for additional product details

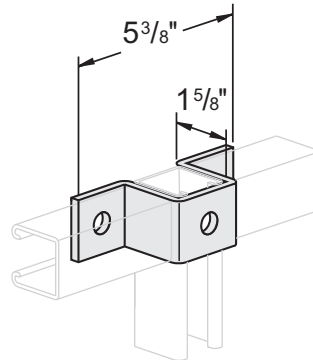
## 3 HOLE U SUPPORT



**47046**

10/CTN  
200 LBS/100

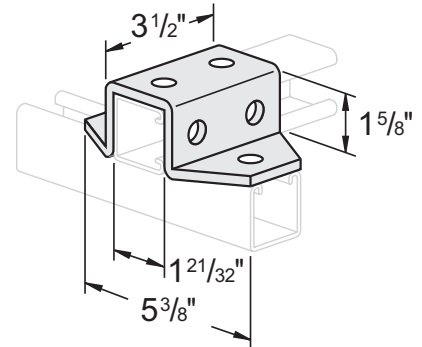
## 3 HOLE OFFSET U SUPPORT



**4705**

25/CTN  
95 LBS/100

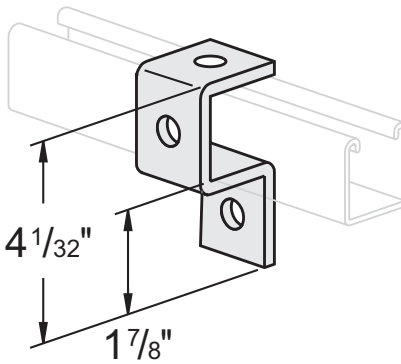
## 8 HOLE U SUPPORT



**4706**

10/CTN  
171 LBS/100

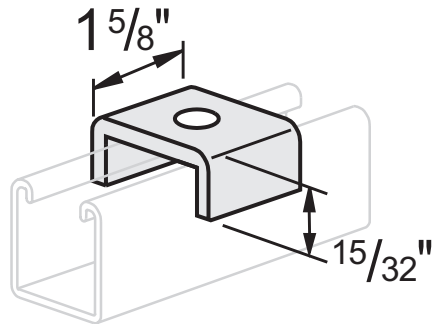
## 4 HOLE U CUP SUPPORT



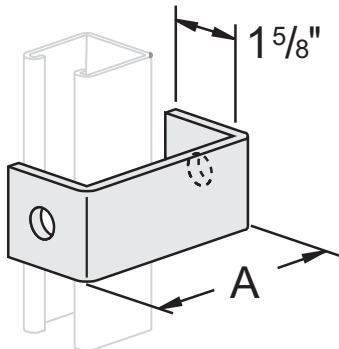
**4707**

25/CTN  
76 LBS/100

## U SADDLE WASHER



## 2 HOLE COLUMN OR STRINGER INSIDE CLEVIS HANGER



P/N	A	CTN. QTY.	LBS/100
<b>47084</b>	4"	25	78
<b>47085</b>	5"	25	89

P/N	SIZE	CTN. QTY.	LBS/100
<b>47092</b>	1/4"	50	18
<b>47093</b>	3/8"		
<b>47095</b>	1/2"		
<b>47096</b>	5/8"	17	
<b>47097</b>	3/4"		

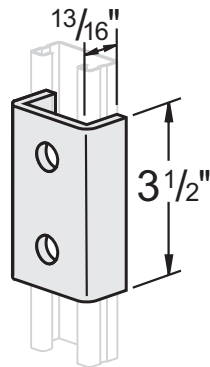
UNLESS SPECIFIED, MATERIAL IS 1-5/8" WIDE. HOLES ARE 9/16" DIAMETER, 13/16" CENTER TO EDGE, & SPACED 1-7/8" ON CENTER. STANDARD FINISH - EG ALSO AVAILABLE: STAINLESS STEEL & HOT DIPPED GALVANIZED

# U SHAPE

CHANNEL FITTINGS

Click on any Part# for additional product details

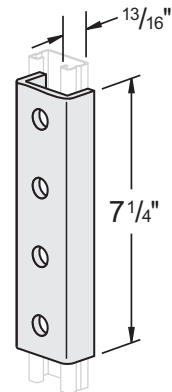
## 2 HOLE SPlice CLEVIS



**4713**

20/CTN  
85 LBS/100

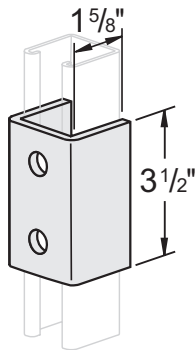
## 4 HOLE SPlice CLEVIS



**4716**

10/CTN  
158 LBS/100

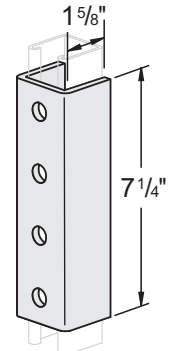
## 2 HOLE SPlice CLEVIS



**4714**

25/CTN  
128 LBS/100

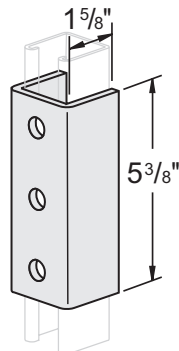
## 4 HOLE SPlice CLEVIS



**4717**

10/CTN  
230 LBS/100

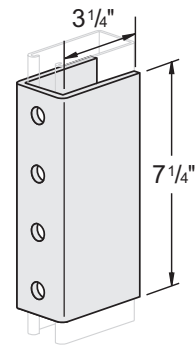
## 3 HOLE SPlice CLEVIS



**4715**

20/CTN  
197 LBS/100

## 4 HOLE SPlice CLEVIS



**4718**

5/CTN  
410 LBS/100

UNLESS SPECIFIED, MATERIAL IS 1-5/8" WIDE. HOLES ARE 9/16" DIAMETER, 13/16" CENTER TO EDGE, & SPACED 1-7/8" ON CENTER. STANDARD FINISH - EG ALSO AVAILABLE: STAINLESS STEEL & HOT DIPPED GALVANIZED

EMAIL:  
SALES@MASTERD.US

**MASTER**  
**DISTRIBUTION**  
An AFC Industries Company

PHONE: 330-220-3600  
FAX: 330-220-3641

**22**

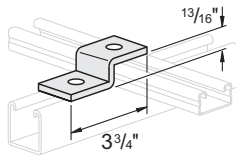
# Z SHAPE

CHANNEL FITTINGS

Click on any Part# for additional product details

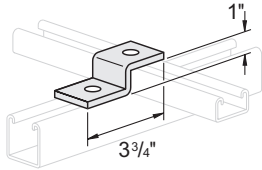
## 2 HOLE Z SUPPORTS

**4722**



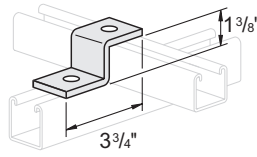
50/CTN  
47 LBS/100

**4723**



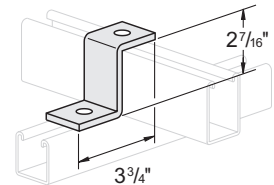
25/CTN  
47 LBS/100

**4724**



25/CTN  
53 LBS/100

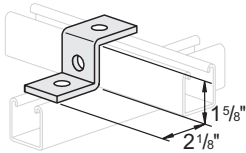
**4726**



25/CTN  
67 LBS/100

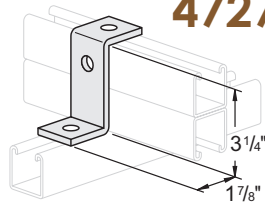
## 3 HOLE Z SUPPORTS

**4725**



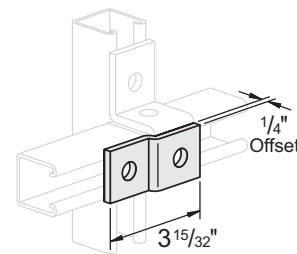
25/CTN  
53 LBS/100

**4727**



25/CTN  
70 LBS/100

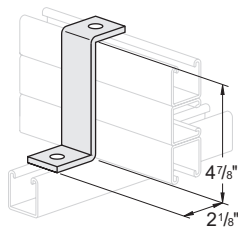
## 2 HOLE 1/4" OFFSET SUPPORT



**4721**

25/CTN  
38 LBS/100

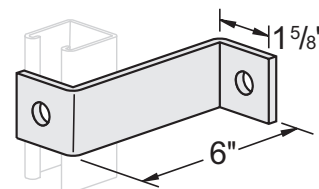
## 2 HOLE SUPPORT FOR 4-7/8" CHANNEL COMBINATION



**4728**

25/CTN  
90 LBS/100

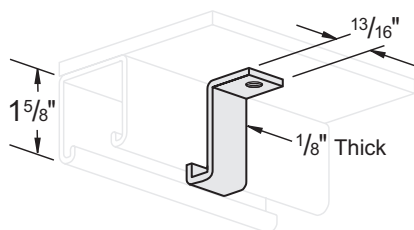
## 2 HOLE 6" OFFSET SUPPORT



**47296**

25/CTN  
95 LBS/100

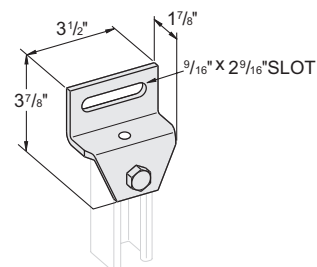
## SHELF ATTACHMENT Z



**47102**

100/CTN  
9 LBS/100

## 2 HOLE 1-5/8" SLOTTED OFFSET SUPPORT



**4730**

20/CTN  
93 LBS/100

UNLESS SPECIFIED, MATERIAL IS 1-5/8" WIDE. HOLES ARE 9/16" DIAMETER, 13/16" CENTER TO EDGE, & SPACED 1-7/8" ON CENTER. STANDARD FINISH - EG ALSO AVAILABLE: STAINLESS STEEL & HOT DIPPED GALVANIZED

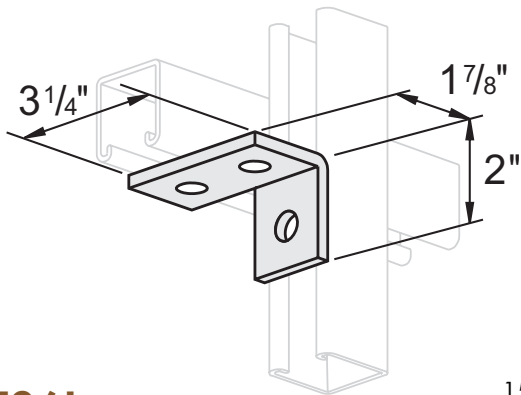


# WING

CHANNEL FITTINGS

Click on any Part# for additional product details

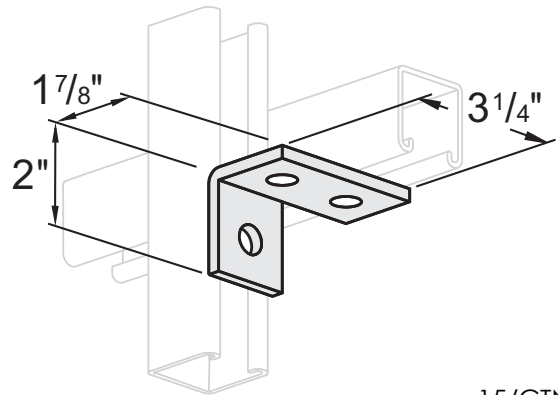
## 3 HOLE L. H. OFFSET ANGLE



**4736L**

15/CTN  
93 LBS/100

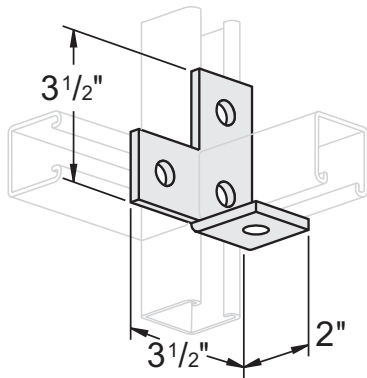
## 3 HOLE R. H. OFFSET ANGLE



**4736R**

15/CTN  
93 LBS/100

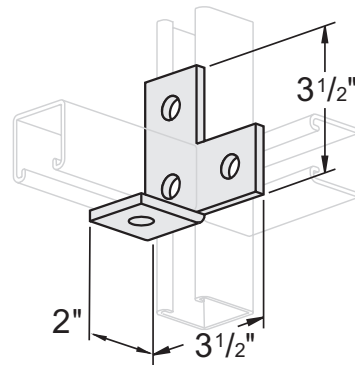
## 4 HOLE L. H. OFFSET BENT TEE



**4755L**

10/CTN  
72 LBS/100

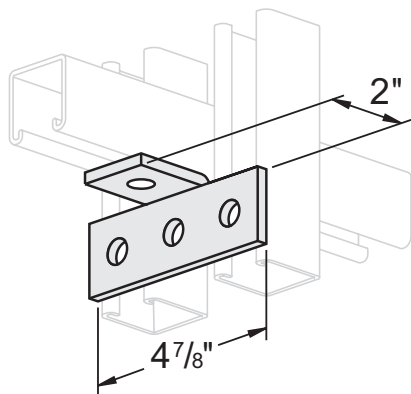
## 4 HOLE R. H. OFFSET BENT TEE



**4755R**

10/CTN  
72 LBS/100

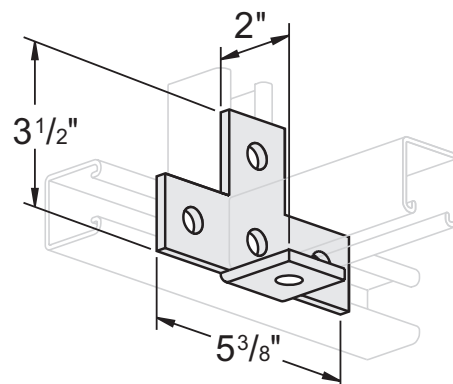
## 4 HOLE BENT TEE ANGLE



**4740**

10/CTN  
72 LBS/100

## 5 HOLE BENT CROSS



**4757**

10/CTN  
90 LBS/100

UNLESS SPECIFIED, MATERIAL IS 1-5/8" WIDE. HOLES ARE 9/16" DIAMETER, 13/16" CENTER TO EDGE, & SPACED 1-7/8" ON CENTER. STANDARD FINISH - EG ALSO AVAILABLE: STAINLESS STEEL & HOT DIPPED GALVANIZED

EMAIL:  
SALES@MASTERD.US

**MASTER**  
**DISTRIBUTION**  
An AFC Industries Company

PHONE: 330-220-3600  
FAX: 330-220-3641

**24**

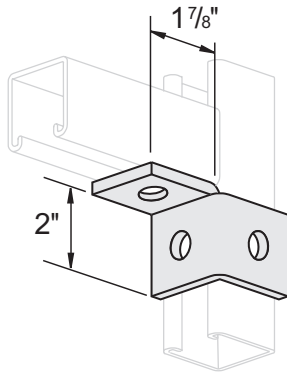
# WING

CHANNEL FITTINGS

Click on any Part# for additional product details

## 3 HOLE L. H. SINGLE CORNER

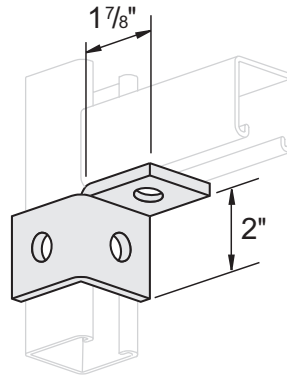
15/CTN  
60 LBS/100



**4737L**

## 3 HOLE R. H. SINGLE CORNER

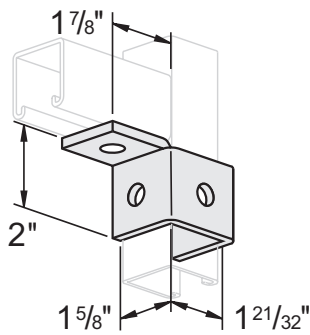
15/CTN  
60 LBS/100



**4737R**

## 4 HOLE L. H. WRAP AROUND SINGLE CONNECTOR

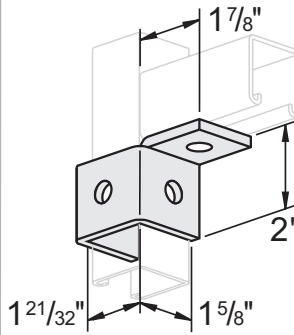
15/CTN  
70 LBS/100



**4756L**

## 4 HOLE R. H. WRAP AROUND SINGLE CONNECTOR

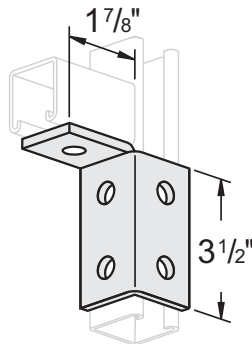
15/CTN  
70 LBS/100



**4756R**

## 5 HOLE L. H. SINGLE CORNER

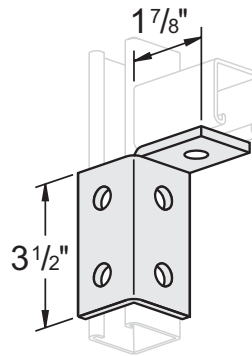
15/CTN  
100 LBS/100



**4741L**

## 5 HOLE R. H. SINGLE CORNER

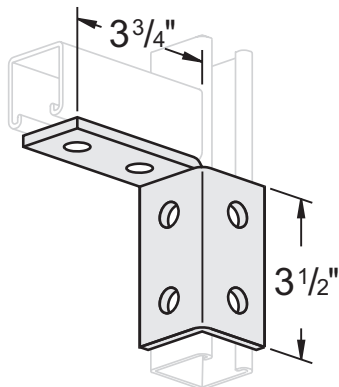
15/CTN  
100 LBS/100



**4741R**

## 6 HOLE L. H. SINGLE CORNER

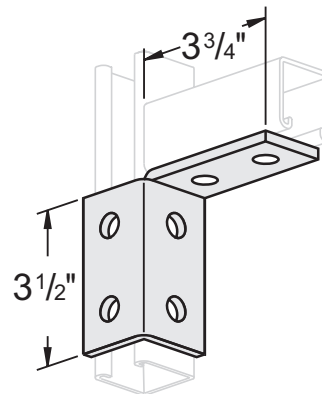
15/CTN  
119 LBS/100



**4742L**

## 6 HOLE R. H. SINGLE CORNER

15/CTN  
119 LBS/100



**4742R**

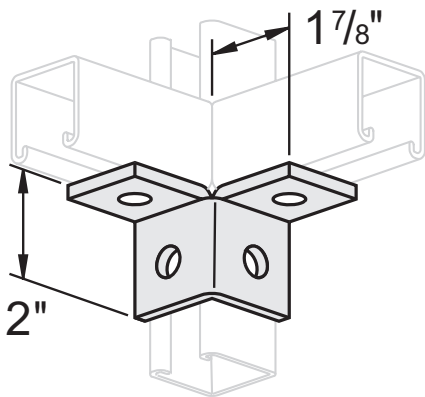
UNLESS SPECIFIED, MATERIAL IS 1-5/8" WIDE. HOLES ARE 9/16" DIAMETER, 13/16" CENTER TO EDGE, & SPACED 1-7/8" ON CENTER. STANDARD FINISH - EG ALSO AVAILABLE: STAINLESS STEEL & HOT DIPPED GALVANIZED

# WING

CHANNEL FITTINGS

Click on any Part# for additional product details

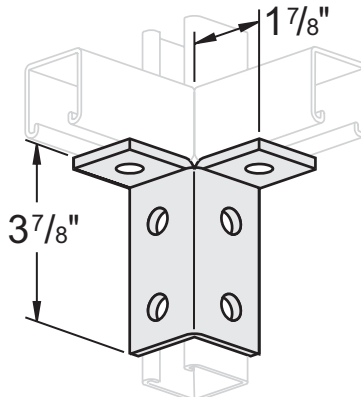
## 4 HOLE 2 CORNER



**4738**

25/CTN  
76 LBS/100

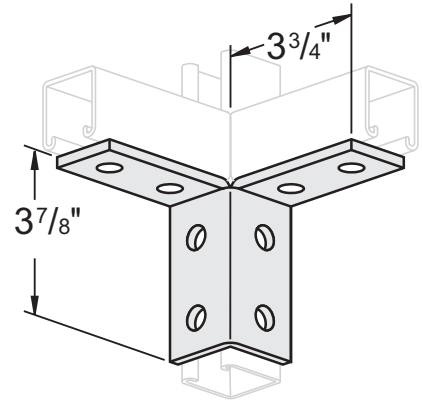
## 6 HOLE 2 CORNER



**4739**

25/CTN  
115 LBS/100

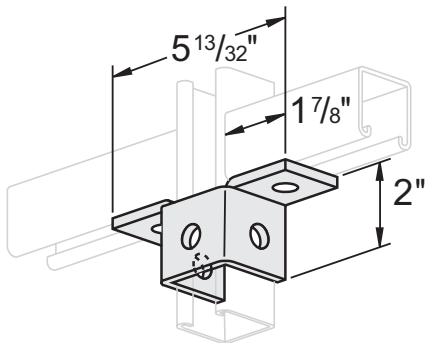
## 8 HOLE 2 CORNER



**4743**

10/CTN  
156 LBS/100

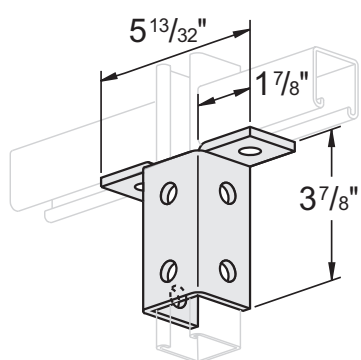
## 5 HOLE 2 CORNER



**4744**

15/CTN  
93 LBS/100

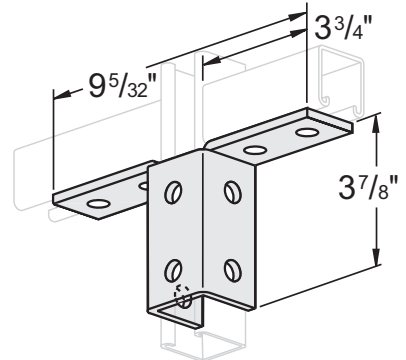
## 8 HOLE 2 CORNER



**4749**

10/CTN  
177 LBS/100

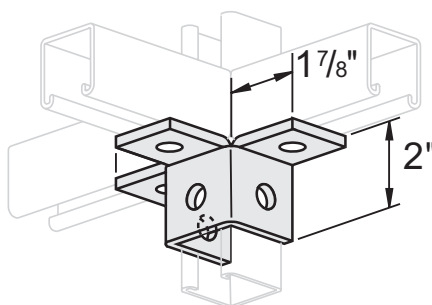
## 10 HOLE 2 CORNER



**4745**

10/CTN  
202 LBS/100

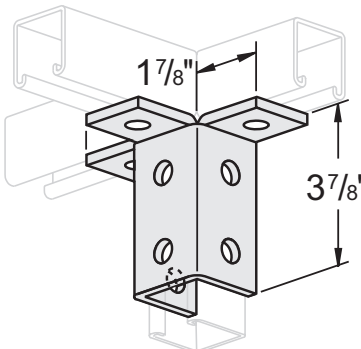
## 6 HOLE 3 CORNER



**4746**

10/CTN  
105 LBS/100

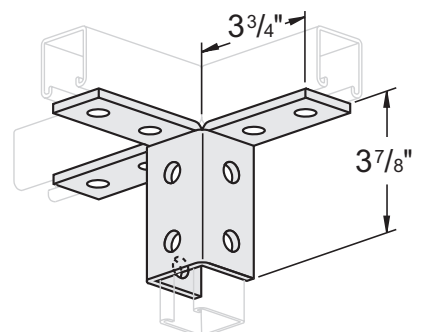
## 9 HOLE 3 CORNER



**4748**

10/CTN  
193 LBS/100

## 12 HOLE 3 CORNER



**4747**

10/CTN  
239 LBS/100

UNLESS SPECIFIED, MATERIAL IS 1-5/8" WIDE. HOLES ARE 9/16" DIAMETER, 13/16" CENTER TO EDGE, & SPACED 1-7/8" ON CENTER. STANDARD FINISH - EG ALSO AVAILABLE: STAINLESS STEEL & HOT DIPPED GALVANIZED

EMAIL:  
SALES@MASTERD.US

**MASTER**  
**DISTRIBUTION**  
An AFC Industries Company

PHONE: 330-220-3600  
FAX: 330-220-3641

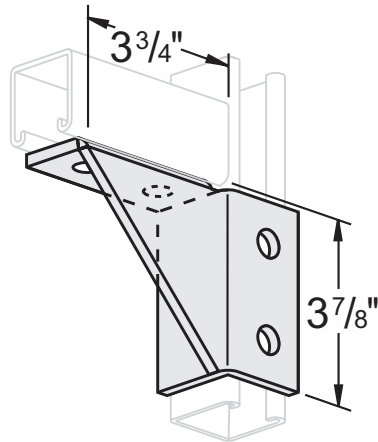
**26**

# WING

CHANNEL FITTINGS

Click on any Part# for additional product details

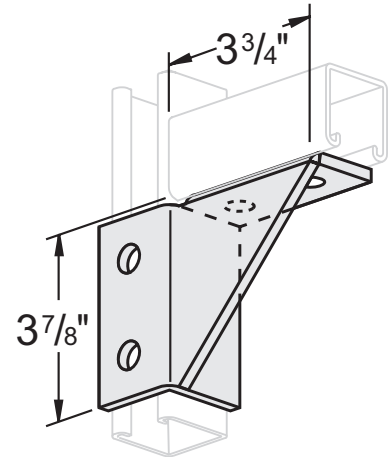
**4 HOLE  
L. H.  
GUSSETED  
SINGLE  
CORNER**



**4750L**

10/CTN  
176 LBS/100

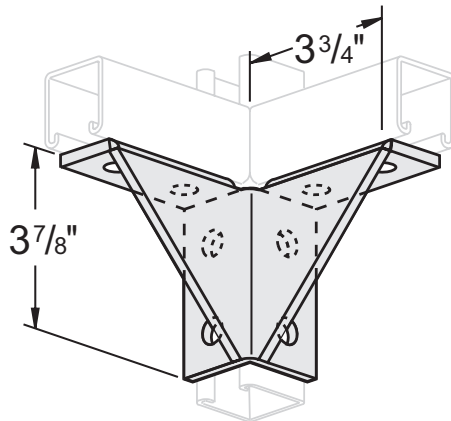
**4 HOLE  
R. H.  
GUSSETED  
SINGLE  
CORNER**



**4750R**

10/CTN  
176 LBS/100

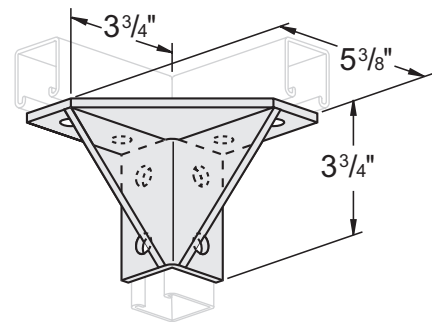
**8 HOLE  
GUSSETED  
DOUBLE  
CORNER**



**4751**

10/CTN  
217 LBS/100

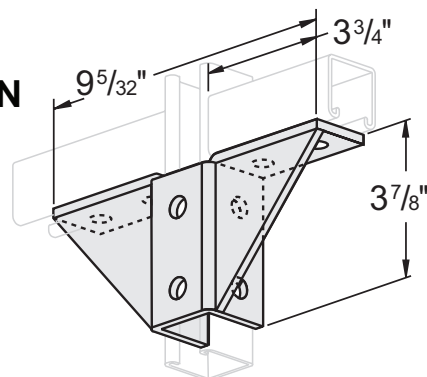
**8 HOLE  
GUSSETED  
DOUBLE  
CORNER**



**4752**

5/CTN  
315 LBS/100

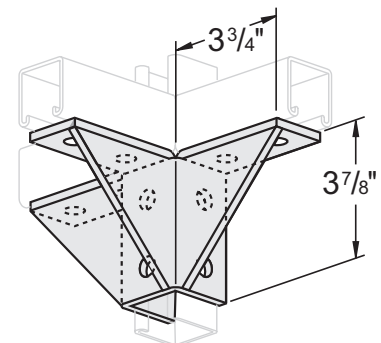
**10 HOLE  
GUSSETED  
DOUBLE  
CONNECTION**



**4753**

5/CTN  
285 LBS/100

**12 HOLE  
GUSSETED  
TRIPLE  
CONNECTION**



**4754**

5/CTN  
330 LBS/100

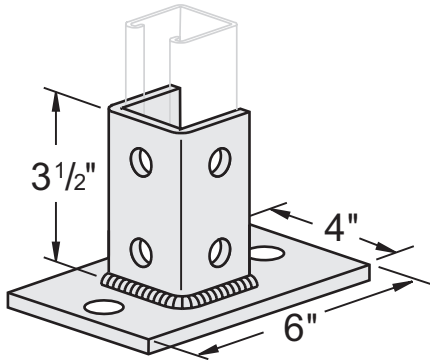
UNLESS SPECIFIED, MATERIAL IS 1-5/8" WIDE. HOLES ARE 9/16" DIAMETER, 13/16" CENTER TO EDGE, & SPACED 1-7/8" ON CENTER. STANDARD FINISH - EG ALSO AVAILABLE: STAINLESS STEEL & HOT DIPPED GALVANIZED

# POST BASE

CHANNEL FITTINGS

Click on any Part# for additional product details

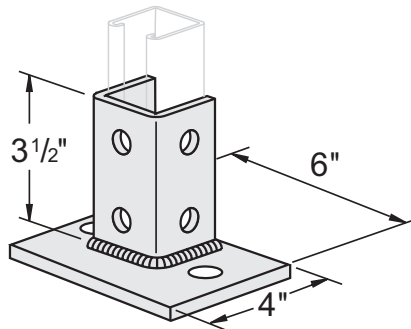
## 6 HOLE



**4768**

10/CTN  
257 LBS/100

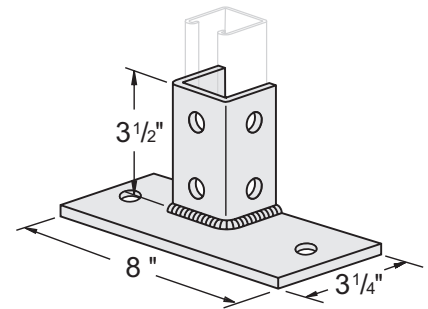
## 6 HOLE FLUSH MOUNT



**4769**

10/CTN  
257 LBS/100

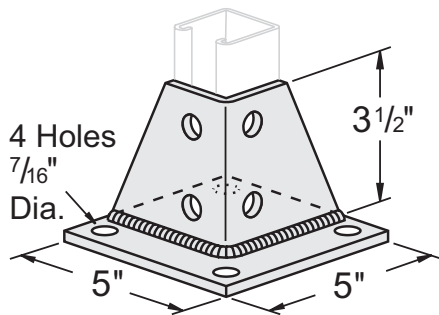
## 6 HOLE FLUSH MOUNT



**4770**

10/CTN  
312 LBS/100

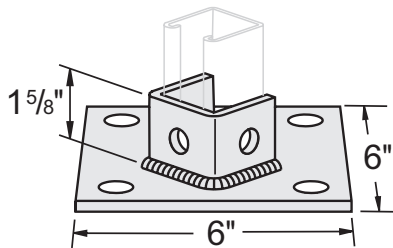
## 4 HOLE



**4767**

5/CTN  
290 LBS/100

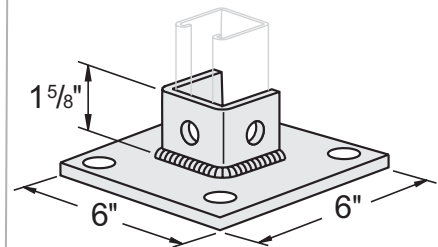
## 3 HOLE ANGLED



**4771**

10/CTN  
275 LBS/100

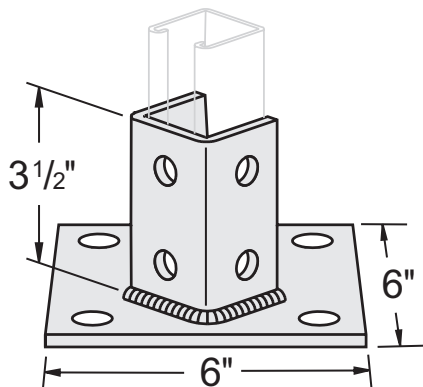
## 3 HOLE



**4772**

10/CTN  
275 LBS/100

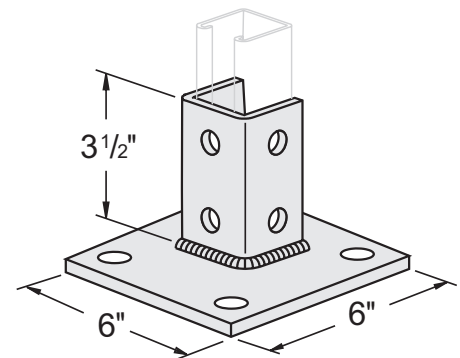
## 6 HOLE ANGLED



**4773**

5/CTN  
333 LBS/100

## 6 HOLE



**4774**

5/CTN  
333 LBS/100

UNLESS SPECIFIED, MATERIAL IS 1-5/8" WIDE. HOLES ARE 9/16" DIAMETER, 13/16" CENTER TO EDGE, & SPACED 1-7/8" ON CENTER. STANDARD FINISH - EG ALSO AVAILABLE: STAINLESS STEEL & HOT DIPPED GALVANIZED

EMAIL:  
SALES@MASTERD.US

**MASTER**  
**DISTRIBUTION**  
An AFC Industries Company

PHONE: 330-220-3600  
FAX: 330-220-3641

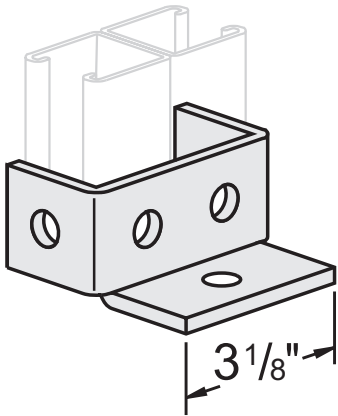
**28**

# POST BASE

CHANNEL FITTINGS

Click on any Part# for additional product details

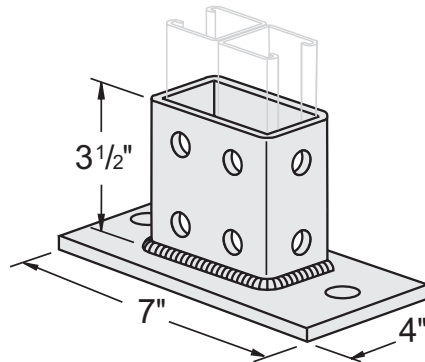
## 5 HOLE DOUBLE CHANNEL



**4766**

5/CTN  
130 LBS/100

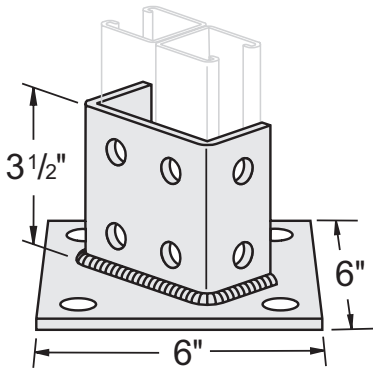
## 12 HOLE DOUBLE CHANNEL



**4775**

5/CTN  
311 LBS/100

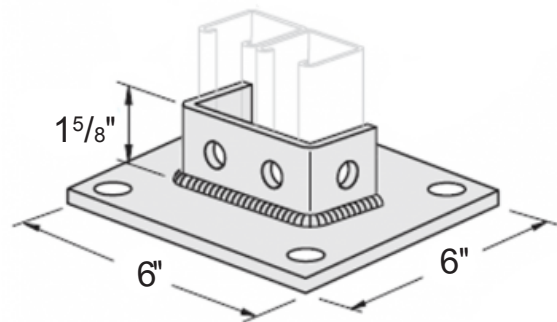
## 8 HOLE DOUBLE CHANNEL



**4776**

5/CTN  
375 LBS/100

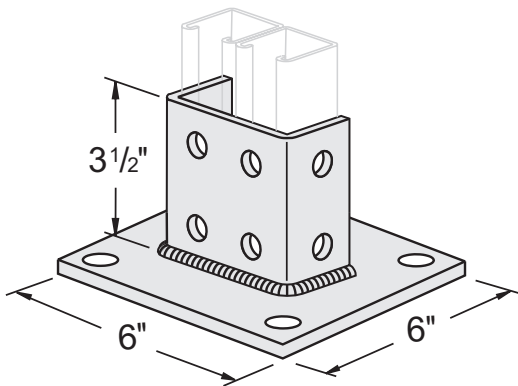
## 4 HOLE DOUBLE CHANNEL



**47775**

5/CTN  
307 LBS/100

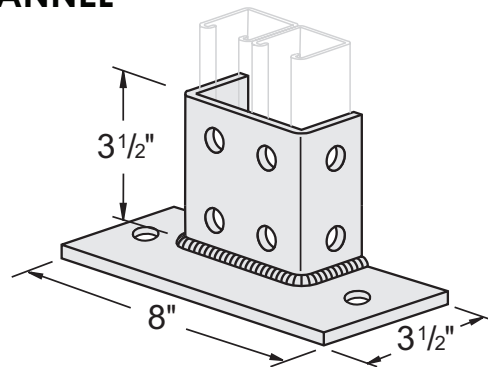
## 8 HOLE DOUBLE CHANNEL



**4777**

5/CTN  
375 LBS/100

## 8 HOLE FLUSH MOUNT DOUBLE CHANNEL



**4778**

5/CTN  
320 LBS/100

UNLESS SPECIFIED, MATERIAL IS 1-5/8" WIDE. HOLES ARE 9/16" DIAMETER, 13/16" CENTER TO EDGE, & SPACED 1-7/8" ON CENTER. STANDARD FINISH - EG ALSO AVAILABLE: STAINLESS STEEL & HOT DIPPED GALVANIZED

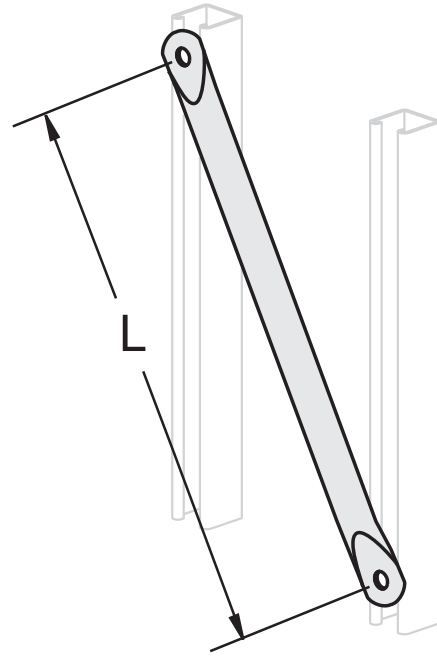
# BRACES & BRACKETS

CHANNEL FITTINGS

Click on any Part# for additional product details

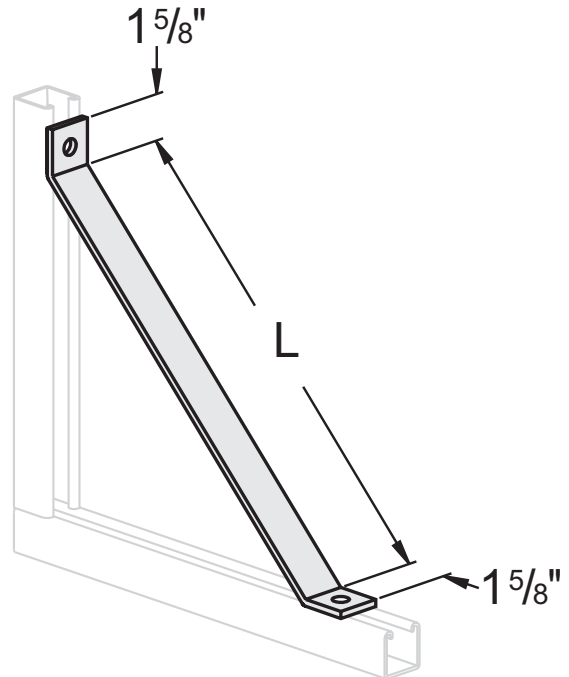
## 2 HOLE 1" ROUND STRAIGHT DIAGONAL TUBING BRACE 14 GAUGE

LENGTH	PART #	CTN./QTY.	WGT./100
36"	<b>478136</b>	BULK	205
42"	<b>478142</b>	BULK	235
48"	<b>478148</b>	BULK	270
54"	<b>478154</b>	BULK	300
60"	<b>478160</b>	BULK	335
72"	<b>478172</b>	BULK	400



## 2 HOLE CHANNEL BRACE

LENGTH	PART #	CTN./QTY.	WGT./100
12"	<b>478312</b>	15	168
16-5/8"	<b>478316</b>	BULK	230
18"	<b>478318</b>	BULK	238
24"	<b>478324</b>	BULK	280



STANDARD FINISH - EG ALSO AVAILABLE: STAINLESS STEEL & HOT DIPPED GALVANIZED

EMAIL:  
SALES@MASTERD.US

**MASTER  
DISTRIBUTION**  
An AFC Industries Company

PHONE: 330-220-3600  
FAX: 330-220-3641

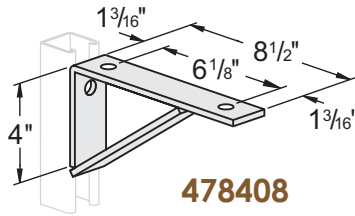
30

# BRACES & BRACKETS

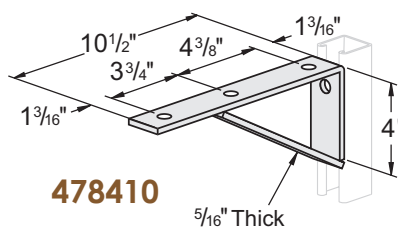
## CHANNEL FITTINGS

Click on any Part# for additional product details

### HEAVY DUTY SHELF BRACKET

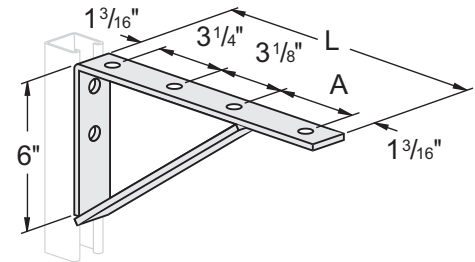


**478408**

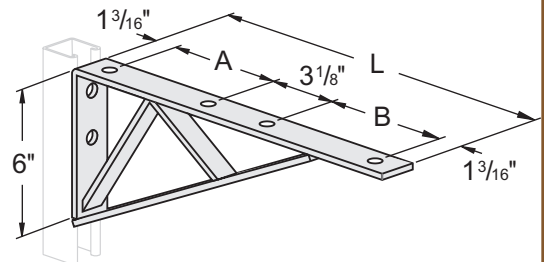


**478410**

### 478412 - 478414

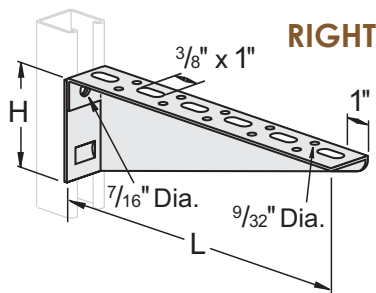
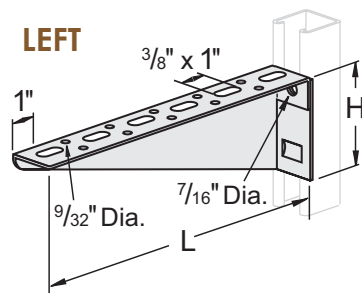


### 478416 - 478420



LENGTH	PART #	A	B	CTN./QTY.	WGT./100
8-1/2"	<b>478408</b>	-	-	BULK	175
10-1/2"	<b>478410</b>	-	-	BULK	200
12-1/2"	<b>478412</b>	3-3/4"	-	BULK	260
14-1/2"	<b>478414</b>	5-3/4"	-	BULK	295
16-1/2"	<b>478416</b>	5-1/4"	5-3/4"	BULK	385
18-1/2"	<b>478418</b>	5-1/4"	7-3/4"	BULK	420
20-1/2"	<b>478420</b>	7-1/4"	7-3/4"	BULK	460

### 12 GAUGE SHELF BRACKET W/ SLOTS



PART #	H	LENGTH	CTN./QTY.	WGT./100
<b>478506L</b> <b>478506R</b>	1-15/16"	6"	BULK	67
<b>478508L</b> <b>478508R</b>	2-7/16"	8"	BULK	92
<b>478510L</b> <b>478510R</b>	2-15/16"	10"	BULK	120
<b>478512L</b> <b>478512R</b>	3-7/16"	12"	BULK	152
<b>478514L</b> <b>478514R</b>	3-15/16"	14"	BULK	173
<b>478516L</b> <b>478516R</b>	4-7/16"	16"	BULK	223
<b>478518L</b> <b>478518R</b>	4-15/16"	18"	BULK	266
<b>478520L</b> <b>478520R</b>	5-7/16"	20"	BULK	295
<b>478522L</b> <b>478522R</b>	5-15/16"	22"	BULK	361
<b>478524L</b> <b>478524R</b>	6-7/16"	24"	BULK	400
<b>478526L</b> <b>478526R</b>	6-15/16"	26"	BULK	456
<b>478528L</b> <b>478528R</b>	7-7/16"	28"	BULK	479
<b>478530L</b> <b>478530R</b>	7-15/16"	30"	BULK	544

STANDARD FINISH - EG ALSO AVAILABLE: STAINLESS STEEL & HOT DIPPED GALVANIZED

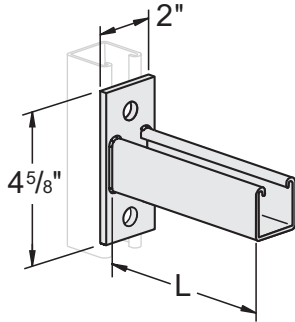


# BRACES & BRACKETS

CHANNEL FITTINGS

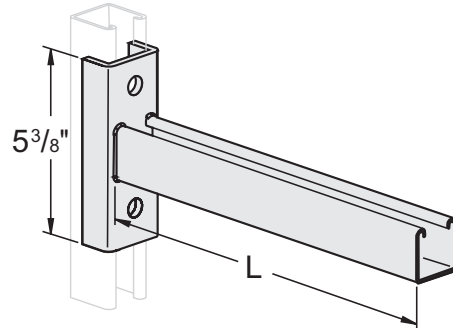
Click on any Part# for additional product details

## SINGLE CHANNEL REVERSIBLE BRACKET



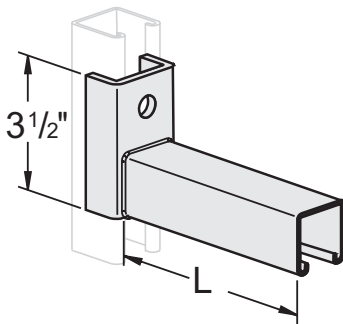
LENGTH	P/N	CTN. QTY.	WGT/100
6"	<a href="#">478606</a>	10	185
12"	<a href="#">478612</a>	10	239
18"	<a href="#">478618</a>	5	401
24"	<a href="#">478624</a>	5	509

## SINGLE CHANNEL REVERSIBLE CLEVIS BRACKET



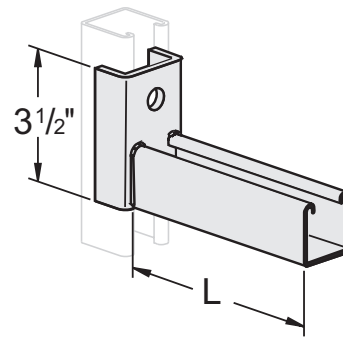
LENGTH	P/N	CTN. QTY.	WGT/100
18"	<a href="#">478918</a>	5	436
24"	<a href="#">478924</a>	5	536

## CLEVIS BRACKET OPENING DOWN



LENGTH	P/N	CTN. QTY.	WGT/100
6"	<a href="#">478706</a>	10	191
12"	<a href="#">478712</a>	10	292

## CLEVIS BRACKET OPENING UP



LENGTH	P/N	CTN. QTY.	WGT/100
6"	<a href="#">478806</a>	10	191
12"	<a href="#">478812</a>	10	292

STANDARD FINISH - EG ALSO AVAILABLE: STAINLESS STEEL & HOT DIPPED GALVANIZED

EMAIL:  
SALES@MASTERD.US

**MASTER**  
**DISTRIBUTION**  
An AFC Industries Company

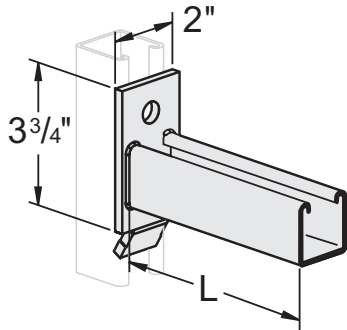
PHONE: 330-220-3600  
FAX: 330-220-3641

# BRACES & RACKETS

## CHANNEL FITTINGS

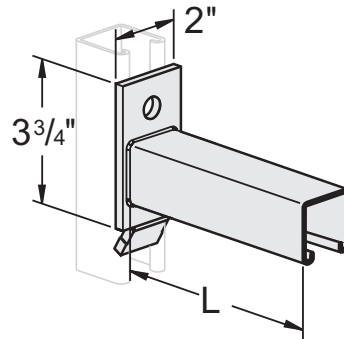
Click on any Part# for additional product details

### NO SWIVEL CHANNEL BRACKET OPENING UP



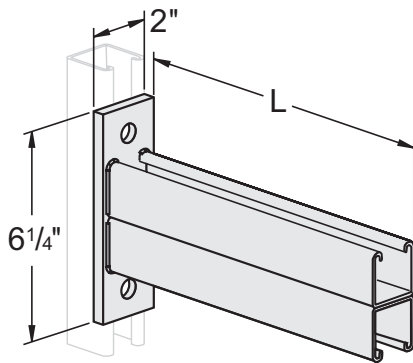
LENGTH	P/N	CTN. QTY.	WGT/100
6"	<a href="#">479006</a>	10	161
12"	<a href="#">479012</a>	10	261
18"	<a href="#">479018</a>	5	361
24"	<a href="#">479024</a>	5	461

### NO SWIVEL CHANNEL BRACKET OPENING DOWN



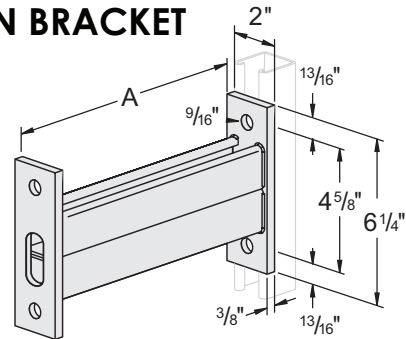
LENGTH	P/N	CTN. QTY.	WGT/100
6"	<a href="#">479306</a>	10	161
12"	<a href="#">479312</a>	10	261
18"	<a href="#">479318</a>	5	361
24"	<a href="#">479324</a>	5	461

### DOUBLE CHANNEL BRACKET



LENGTH	P/N	CTN. QTY.	WGT/100
12"	<a href="#">479112</a>	BULK	490
18"	<a href="#">479118</a>	BULK	670
24"	<a href="#">479124</a>	BULK	860
30"	<a href="#">479130</a>	BULK	1050
36"	<a href="#">479136</a>	BULK	1240
42"	<a href="#">479142</a>	BULK	1430

### DOUBLE CHANNEL STANCHION BRACKET



LENGTH	P/N	CTN. QTY.	WGT/100
24"	<a href="#">479224</a>	BULK	960
30"	<a href="#">479230</a>	BULK	1150
36"	<a href="#">479236</a>	BULK	1340
42"	<a href="#">479242</a>	BULK	1530
48"	<a href="#">479248</a>	BULK	1720

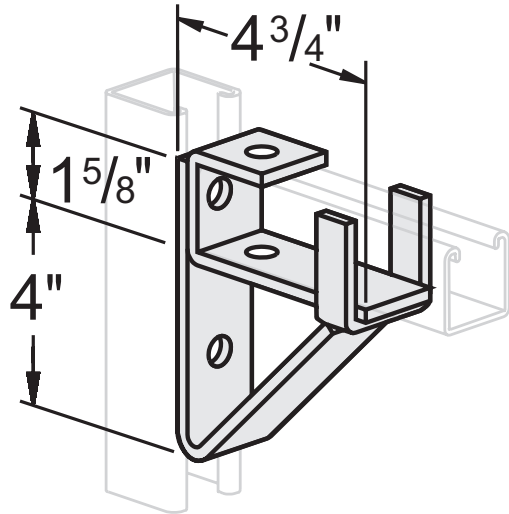
STANDARD FINISH - EG ALSO AVAILABLE: STAINLESS STEEL & HOT DIPPED GALVANIZED

# BRACES & BRACKETS

## CHANNEL FITTINGS

Click on any Part# for additional product details

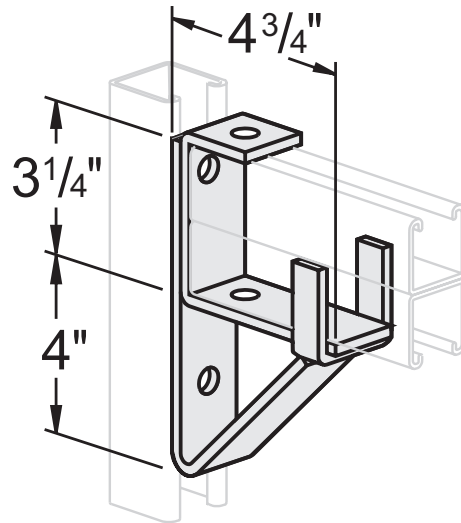
SINGLE CHANNEL  
BRACKET SUPPORT



**4794**

10/CTN  
235 LBS/100

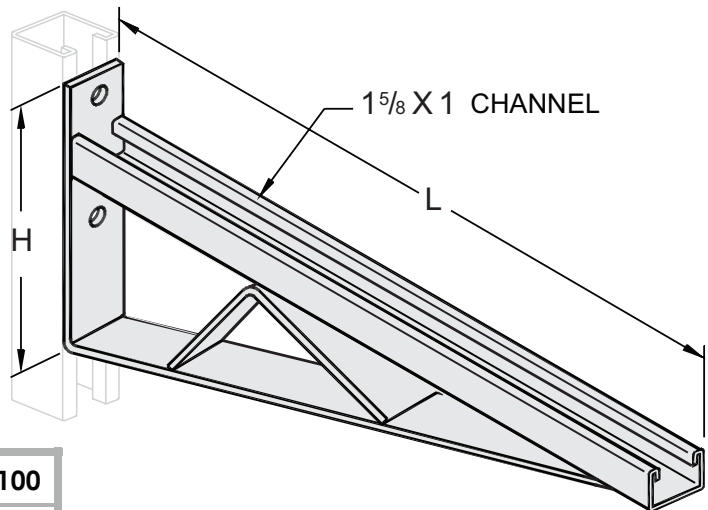
DOUBLE CHANNEL  
BRACKET SUPPORT



**4795**

BULK/CTN  
275 LBS/100

BRACED CABLE TRAY  
STRUT BRACKET



L	H	P/N	CTN. QTY.	WGT/100
12"	8-3/4"	<b>479612</b>	BULK	388
18"	8-3/4"	<b>479618</b>	BULK	506
24"	8-3/4"	<b>479624</b>	BULK	763
30"	11-1/4"	<b>479630</b>	BULK	1012
36"	11-3/4"	<b>479636</b>	BULK	1068

STANDARD FINISH - EG ALSO AVAILABLE: STAINLESS STEEL & HOT DIPPED GALVANIZED

EMAIL:  
SALES@MASTERD.US

**MASTER**  
**DISTRIBUTION**  
An AFC Industries Company

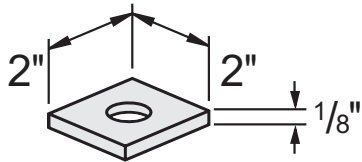
PHONE: 330-220-3600  
FAX: 330-220-3641

**34**

# MISC HARDWARE

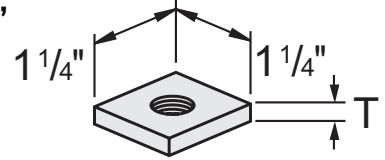
Click on any Part# for additional product details

## 2" X 2" SQUARE WASHER



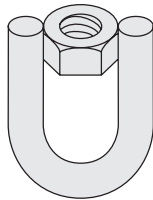
PART #	HOLE SIZE	CTN. QTY.	WGT./ 100
<b>4595</b>	3/8"	100	13
<b>4596</b>	1/2"	100	13

## 1-1/4" X 1-1/4" SQUARE NUT



PART #	HOLE SIZE	THICK	CTN. QTY.	WGT./ 100
<b>4841</b>	1/4-20	1/4"	100	10
<b>4842</b>	3/8-16	3/8"	100	15
<b>4843</b>	1/2-13	1/2"	100	18
<b>4844</b>	5/8-11	1/2"	100	17
<b>4845</b>	3/4-10	1/2"	100	15

## FEMALE SWIVEL



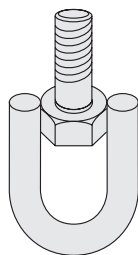
PART #	SIZE	CTN. QTY.	WGT./ 100
<b>4853F</b>	3/8-16	25	12
<b>4854F</b>	1/2-13	25	15

## FEMALE/FEMALE SWIVEL



PART #	SIZE	CTN. QTY.	WGT./ 100
<b>4853FF</b>	3/8-16	50	24
<b>4854FF</b>	1/2-13	50	24

## MALE SWIVEL



PART #	SIZE	STUD LENGTH	CTN. QTY.	WGT./ 100
<b>4853M</b>	3/8-16	1"	25	15
<b>4854M</b>	1/2-13	1"	25	20

## MALE/FEMALE SWIVEL



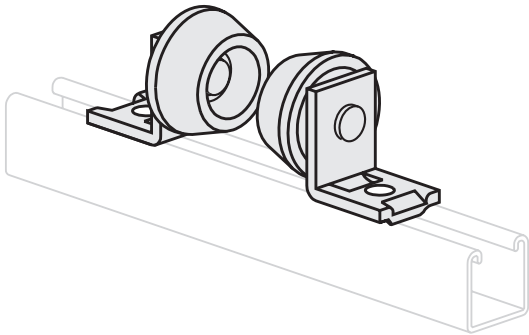
PART #	SIZE	STUD LENGTH	CTN. QTY.	WGT./ 100
<b>4853MF</b>	3/8-16	1"	50	26
<b>4854MF</b>	1/2-13	1"	50	35

STANDARD FINISH - EG ALSO AVAILABLE: STAINLESS STEEL

# MISC HARDWARE

Click on any Part# for additional product details

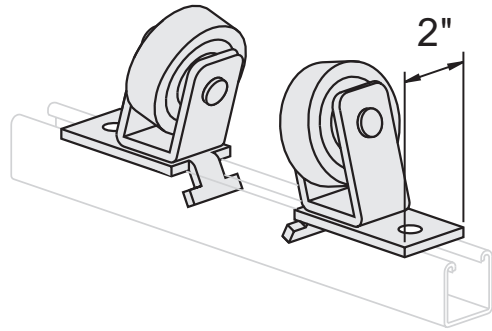
**2 ROLLER NO SWIVEL  
PIPE SUPPORT  
ADJUSTABLE  
1" - 8"**



**4858**

BULK  
150 LBS/100

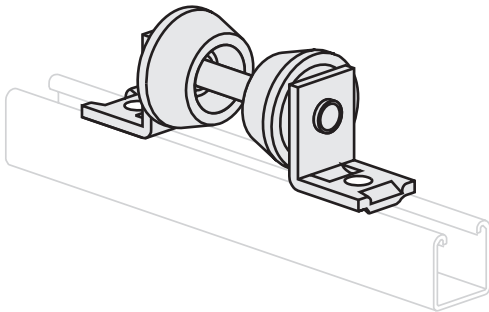
**2 ROLLER  
PIPE SUPPORT  
ADJUSTABLE  
6" - 18"**



**4860**

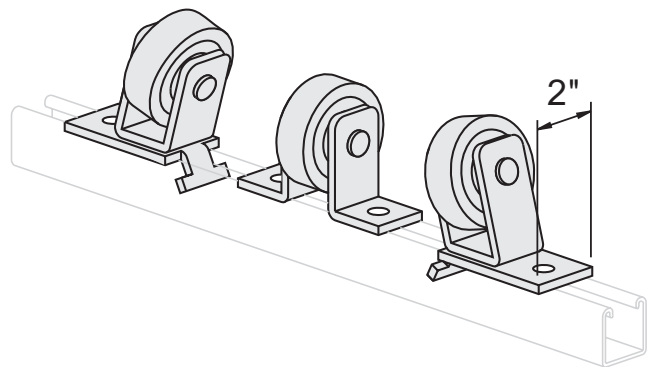
BULK  
397 LBS/100

**PIPE ROLLER ASSEMBLY**



P/N	SIZE RANGE	CTN. QTY.	LBS/100
<b>485903</b>	1" - 3"	BULK	159
<b>485904</b>	2-1/2" - 4"	BULK	166
<b>485906</b>	4" - 6"	BULK	179
<b>485908</b>	6" - 8"	BULK	182
<b>485910</b>	9" - 10"	BULK	190
<b>485912</b>	12"	BULK	193

**3 ROLLER  
PIPE SUPPORT  
ADJUSTABLE  
20" - 30"**



**4861**

BULK  
587 LBS/100

STANDARD FINISH - EG

EMAIL:  
SALES@MASTERD.US

**MASTER  
DISTRIBUTION**  
An AFC Industries Company

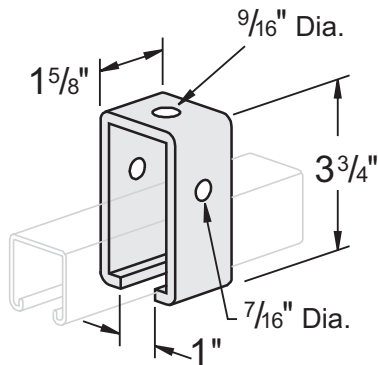
PHONE: 330-220-3600  
FAX: 330-220-3641

**36**

# MISC HARDWARE

Click on any Part# for additional product details

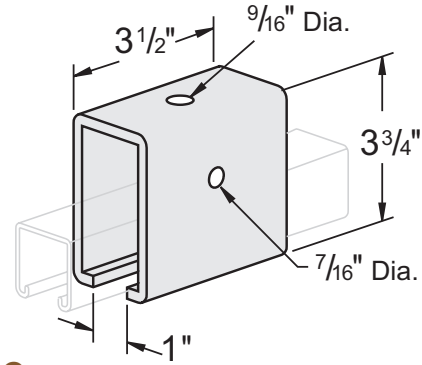
## INTERMEDIATE SUPPORT FOR 1-5/8" TROLLEY TRACK



**4872**

20/CTN  
110 LBS/100

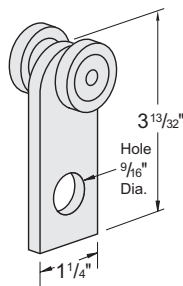
## SPLICE SUPPORT FOR 1-5/8" TROLLEY TRACK



**4873**

10/CTN  
220 LBS/100

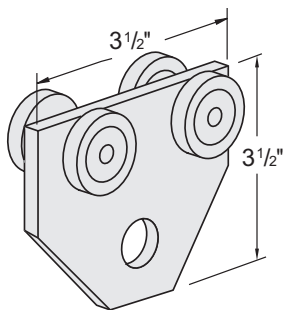
## 1 HOLE 2 WHEEL TROLLEY



**4869**

20/CTN  
60 LBS/100

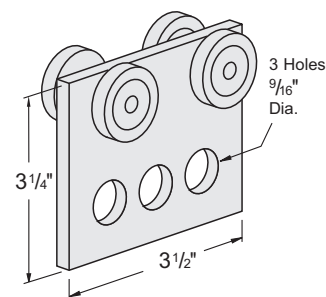
## 1 HOLE 4 WHEEL TROLLEY



**4870**

10/CTN  
112 LBS/100

## 3 HOLE 4 WHEEL TROLLEY



**4871**

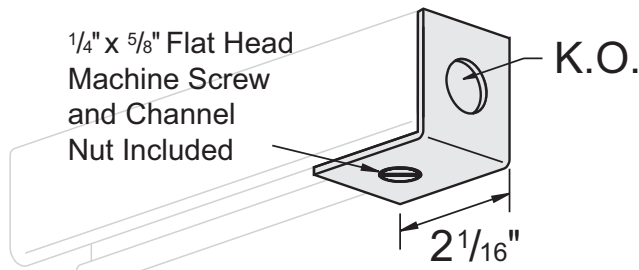
BULK  
125 LBS/100

STANDARD FINISH - EG

# MISC HARDWARE

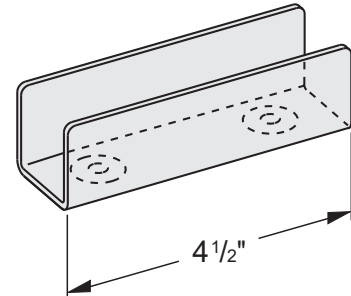
Click on any Part# for additional product details

## RACEWAY ENDCAP FOR 1-5/8" CHANNEL



PART #	K.O.	CTN. QTY.	WGT./100
<b>4895</b>	1/2"	50	21
<b>4896</b>	3/4"	50	21

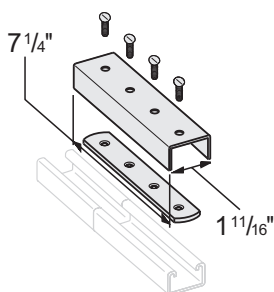
## INTERNAL U JOINER FOR 1-5/8" CHANNEL



**4897**

50/CTN  
50 LBS/100

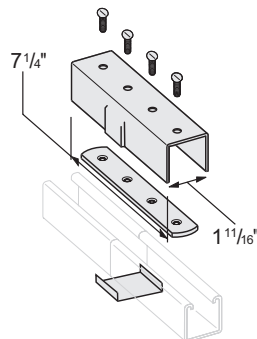
## RACEWAY SPLICE PLATE FOR 13/16" CHANNEL



**4898**

25/CTN  
85 LBS/100

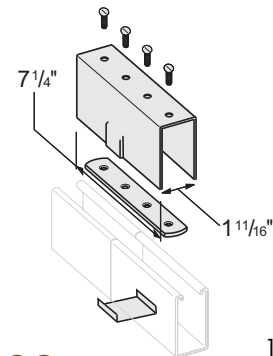
## RACEWAY SPLICE PLATE FOR 1-5/8" CHANNEL



**4899**

25/CTN  
134 LBS/100

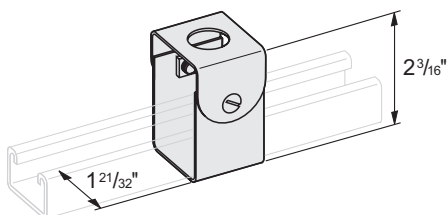
## RACEWAY SPLICE PLATE FOR 3-1/4" CHANNEL



**4900**

10/CTN  
155 LBS/100

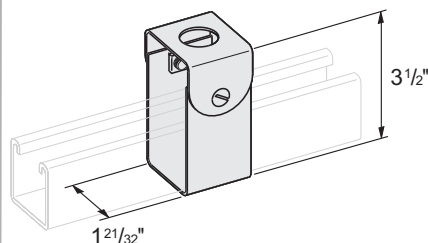
## DBL. CLEVIS HANGER FOR 13/16" & 1" CHANNEL



**4901**

25/CTN  
34 LBS/100

## DBL. CLEVIS HANGER FOR 1-5/8" CHANNEL



**4902**

25/CTN  
40 LBS/100

STANDARD FINISH - EG

EMAIL:  
SALES@MASTERD.US

**MASTER**  
**DISTRIBUTION**  
An AFC Industries Company

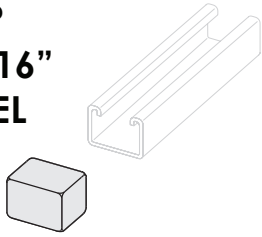
PHONE: 330-220-3600  
FAX: 330-220-3641

**38**

# MISC HARDWARE

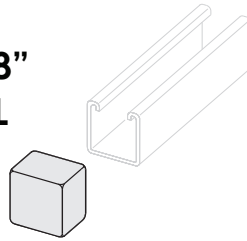
Click on any Part# for additional product details

## ENDCAP FOR 13/16" CHANNEL



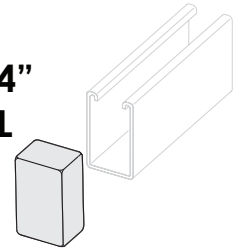
PART #	COLOR	CTN. QTY.	WGT./100
<b>4882R</b>	RED	50	2.8
<b>4882W</b>	WHITE	50	2.8
<b>4882Y</b>	YELLOW	50	2.8
<b>4882GY</b>	GREY	50	2.8

## ENDCAP FOR 1-5/8" CHANNEL



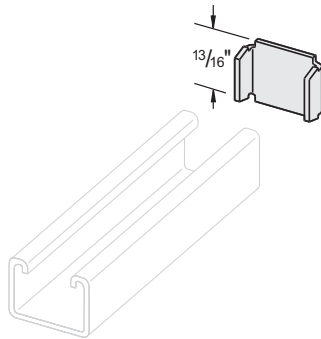
PART #	COLOR	CTN. QTY.	WGT./100
<b>4881R</b>	RED	50	4.2
<b>4881W</b>	WHITE	50	4.2
<b>4881Y</b>	YELLOW	50	4.2
<b>4881GY</b>	GREY	50	4.2

## ENDCAP FOR 3-1/4" CHANNEL



PART #	COLOR	CTN. QTY.	WGT./100
<b>4880R</b>	RED	50	7.3
<b>4880W</b>	WHITE	50	7.3
<b>4880Y</b>	YELLOW	50	7.3
<b>4880GY</b>	GREY	50	7.3

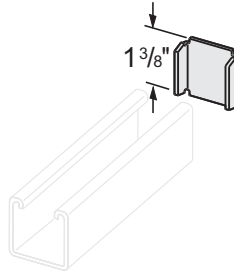
## RACEWAY ENDCAP FOR 13/16" CHANNEL



**4890**

100/CTN  
4 LBS/100

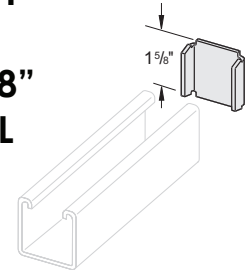
## RACEWAY ENDCAP FOR 1-3/8" CHANNEL



**4891**

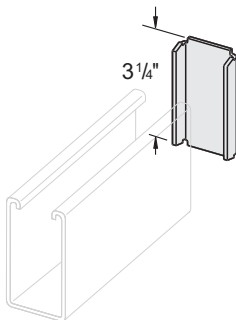
100/CTN  
6 LBS/100

## RACEWAY ENDCAP FOR 1-5/8" CHANNEL



PART #	CHANNEL	CTN. QTY.	WGT./100
<b>4892</b>	12 GA,	100	10
<b>4893</b>	14 GA,	100	8

## RACEWAY ENDCAP FOR 3-1/4" CHANNEL



**4894**

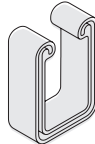
100/CTN  
16 LBS/100

## OPEN SAFETY END CAP

ADD COLOR CODE AFTER PART #  
(GY)GREY, (R)RED, (W)WHITE, (Y)YELLOW,  
(GN)GREEN

**4883GY**  
**4883GN**  
**4883W**

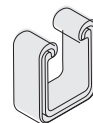
FOR USE WITH  
3-1/4" CHANNEL



50/CTN  
5.6 LBS/100

**4884Y**  
**4884W**  
**4884R**  
**4884GY**  
**4884GN**

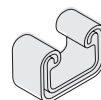
FOR USE WITH  
1-5/8" CHANNEL



50/CTN  
4.1 LBS/100

**4885Y**  
**4885W**  
**4885R**  
**4885GY**

FOR USE WITH  
13/16" CHANNEL



50/CTN  
3.5 LBS/100

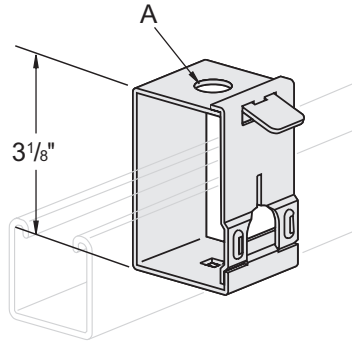
STANDARD FINISH - EG, FOR METAL ENDCAPS



# MISC HARDWARE

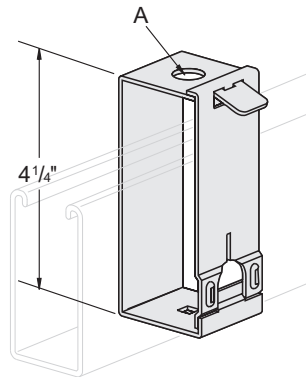
Click on any Part# for additional product details

## SWING GATE HANGER FOR 1-5/8" CHANNEL



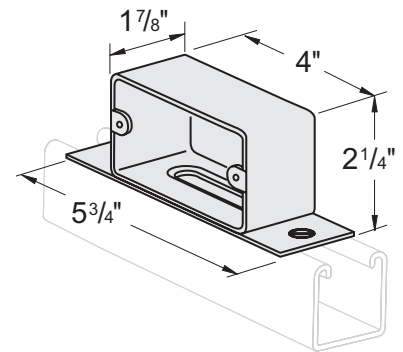
PART #	A	QTY. CTN.	WGT./ 100
4905	9/16"	20	23
4906	7/8"	20	25

## SWING GATE HANGER FOR 3-1/4" CHANNEL



PART #	A	QTY. CTN	WGT./ 100
4907	9/16"	20	30
4908	7/8"	20	30

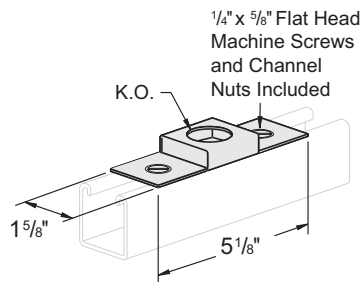
## HANDY OUTLET BOX



4912

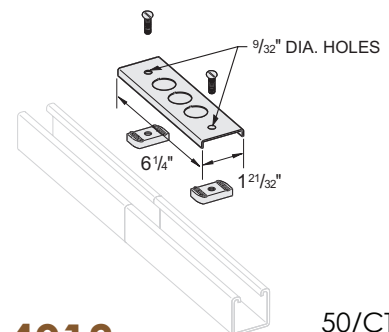
20/CTN  
85 LBS/100

## CONDUIT CONNECTOR



PART #	SIZE	HOLE	QTY. CTN.	WGT./ 100
4910	1/2"	7/8"	25	28
4911	3/4"	1-3/32"	25	28

## CONNECTION PLATE W/ 3 7/8" KNOCKOUTS



4913

50/CTN  
35 LBS/100

STANDARD FINISH - EG

EMAIL:  
SALES@MASTERD.US

**MASTER**  
**DISTRIBUTION**  
An AFC Industries Company

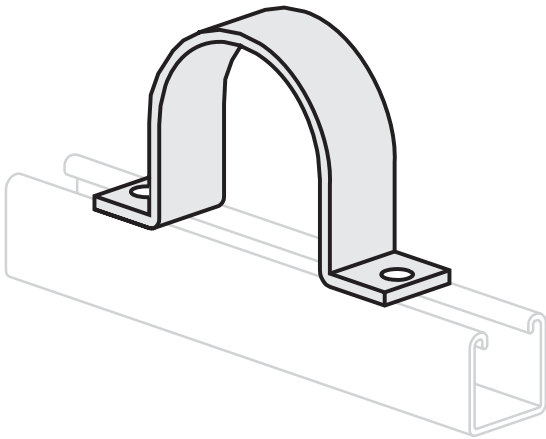
PHONE: 330-220-3600  
FAX: 330-220-3641

40

# MISC HARDWARE

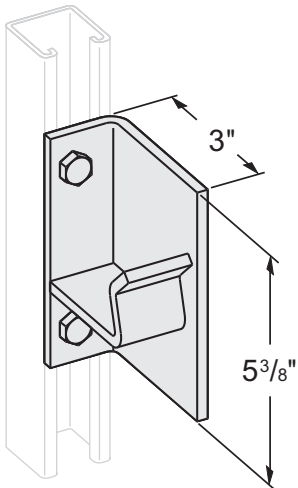
Click on any Part# for additional product details

## 2 HOLE HOLD DOWN STRAP FOR IRON PIPE & RIGID CONDUIT



PART #	PIPE SIZE	HOLE SIZE	QTY. CTN.	WGT./100	
486301	1/2"	9/32"	25	23	
486302	3/4"			26	
486303	1"			31	
486304	1-1/4"			35	
486305	1-1/2"			39	
486306	2"	7/16"	10	94	
486307	2-1/2"			114	
486308	3"			133	
486309	3-1/2"			BULK	152
486310	4"				176
486311	5"	198			
486312	6"	225			
486313	8"	9/16"	BULK	300	
486314	10"	11/16"		425	

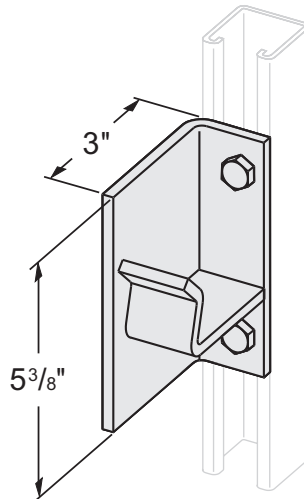
## 2 HOLE R.H. AXLE SUPPORT FOR 1-1/2" RIGID



**4866R**

BULK/CTN  
225 LBS/100

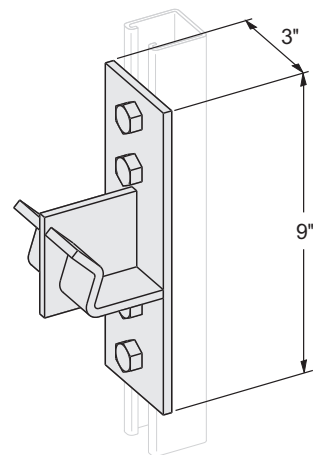
## 2 HOLE L.H. AXLE SUPPORT FOR 1-1/2" RIGID PIPE



**4866L**

BULK/CTN  
225 LBS/100

## 3 HOLE DOUBLE AXLE SUPPORT 1-1/2" RIGID PIPE



**4867**

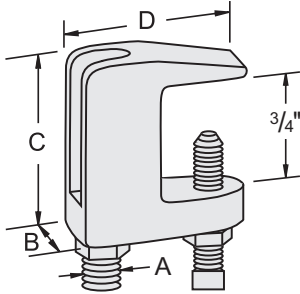
BULK/CTN  
326 LBS/100

STANDARD FINISH - EG

# BEAM CLAMPS

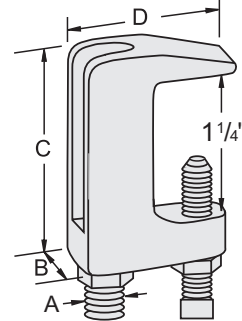
Click on any Part# for additional product details

## UNIVERSAL MALLEABLE BEAM CLAMPS



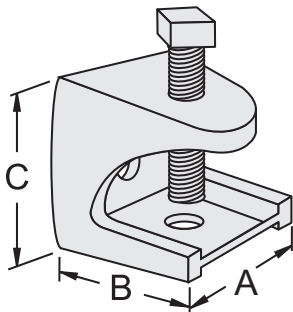
SIZE A	PLAIN	E/G	B	C	D	CTN QTY	WGT /100
3/8	5103-101	5103-201	13/16"	1-5/8"	1-7/8"	100	28
1/2	5104-101	5104-201	1-1/8"	1-3/4"	1-3/4"	100	40
5/8	5105-101	5105-201	1-1/8"	1-7/8"	1-7/8"	50	43
3/4	5106-101	5106-201	1-5/16"	1-7/8"	2-3/8"	50	69
7/8	5107-101	5107-201	1-5/16"	1-7/8"	2-3/8"	25	69

## WIDE THROAT MALLEABLE BEAM CLAMPS



SIZE A	PLAIN	E/G	B	C	D	CTN QTY	WGT /100
3/8	5113-101	5113-201	15/16"	2"	1-3/4"	100	37
1/2	5114-101	5114-201	15/16"	2-1/8"	1-3/4"	100	42
5/8	5115-101	5115-201	1-1/4"	2-1/4"	2-3/8"	50	80
3/4	5116-101	5116-201	1-3/8"	2-1/2"	2-1/2"	50	95

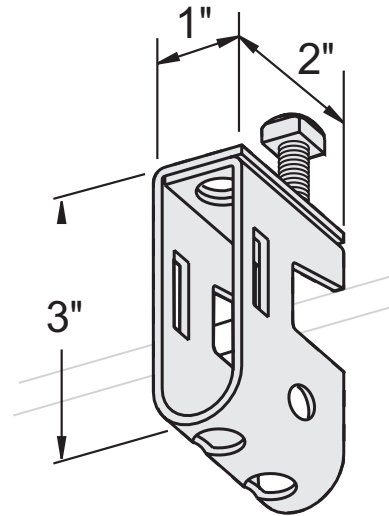
## ROD INSULATOR MALLEABLE BEAM CLAMPS E/G



SIZE	MAX. FLANGE
1/4	5/8"
3/8	3/4"
1/2	7/8"

SIZE	E/G	316 SS	A	B	C	CTN. QTY.	WGT /100
1/4	5130-202	5130-802	1-1/8"	1-1/4"	1-3/8"	25	22
3/8	5130-203	5130-803	2"	2"	1-3/4"	10	70
1/2	5130-204	5130-804	2-5/16"	2-1/8"	2-1/8"	10	120

## 3/4" MAXIMUM FLANGE BEAM CLAMP E/G



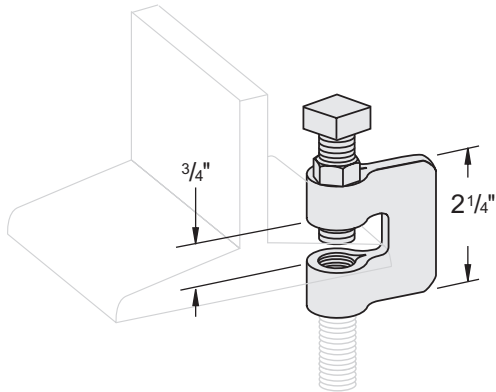
4812

25/CTN  
38 LBS/100

# BEAM CLAMPS

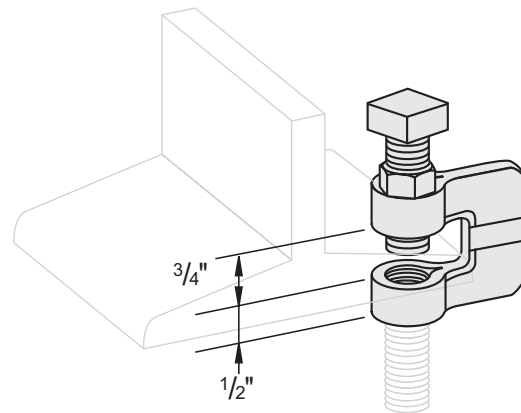
Click on any Part# for additional product details

## STEEL C-CLAMP W/ LOCK NUT



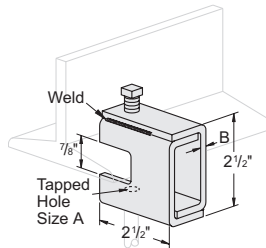
SIZE	PLAIN	E/G	CTN. QTY.	WGT/100
3/8	5203-101	5203-201	100	45
1/2	5204-101	5204-201	100	46
5/8	5205-101	5205-201	50	66
3/4	5206-101	5206-201	50	86
7/8	5207-101	5207-201	25	176

## MALLEABLE C-CLAMP



SIZE	PLAIN	E/G	CTN. QTY.	WGT/100
3/8	5213-101	5213-201	100	26
1/2	5214-101	5214-201	100	29
5/8	5215-101	5215-201	50	72
3/4	5216-101	5216-201	50	98

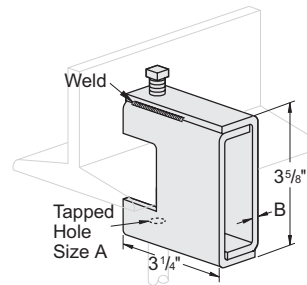
## BEAM CLAMPS W/ 7/8" JAW OPENING



ONLY AVAILABLE IN E/G

ROD SIZE (A)	WALL THICKNESS (B)	PART #	CTN. QTY.	WGT/100
1/4	1/8"	4815	10	71
3/8	1/8"	4816	10	72
3/8	3/16"	4817	10	97
1/2	3/16"	4818	10	97
1/2	1/4"	4819	10	131
5/8	1/4"	4820	10	133
5/8	5/16"	4821	10	160
3/4	5/16"	48213	10	160

## BEAM CLAMPS W/ 1-21/32" JAW OPENING



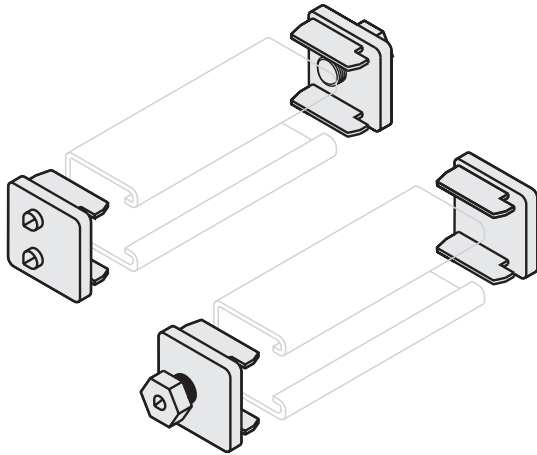
ONLY AVAILABLE IN E/G

ROD SIZE (A)	WALL THICKNESS (B)	PART #	CTN. QTY.	WGT/100
1/4	1/8"	4822	10	113
3/8	1/8"	4823	10	113
3/8	3/16"	4824	10	151
1/2	3/16"	4825	10	151
1/2	1/4"	4826	10	205
5/8	5/16"	48265	10	246

# BEAM CLAMPS

Click on any Part# for additional product details

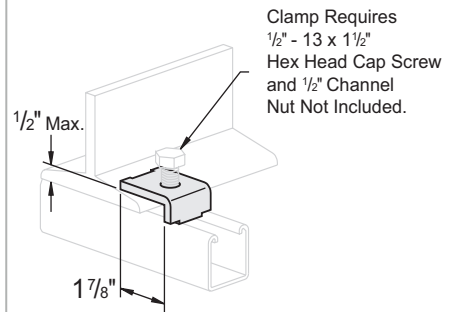
## COLUMN CLAMP



**4803**

25 PAIR/CTN  
56 LBS/100

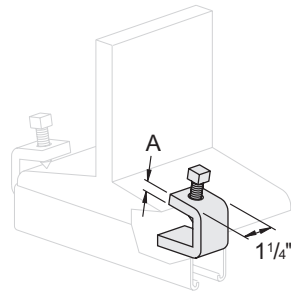
## BEAM CLAMP



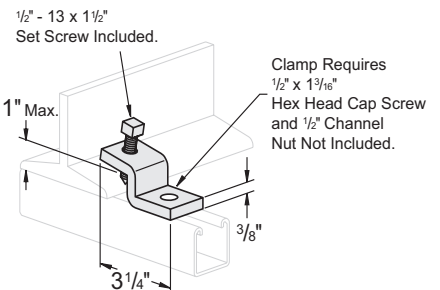
**4804**

50/CTN  
30 LBS/100

## BEAM CLAMP FOR FLANGES UP TO 7/8" THICK



## HEAVY DUTY BEAM CLAMP

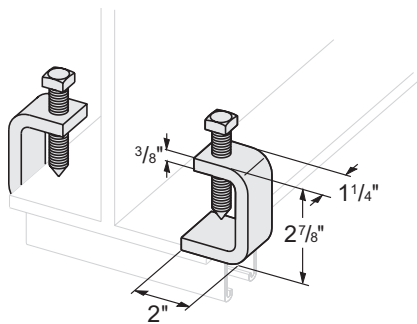


**4809**

25/CTN  
65 LBS/100

CLAMP THICKNESS	SCREW SIZE	PART #	QTY. CTN.	WGT/100
1/4"	3/8-16 X 1-1/2"	<b>4805</b>	50	39
3/8"	1/2-13 X 1-1/2"	<b>4806</b>	25	58

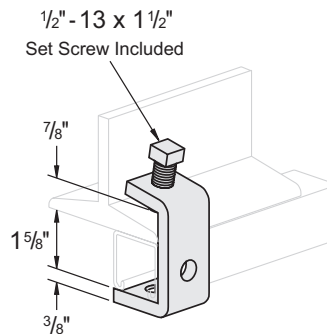
## HEAVY DUTY BEAM CLAMP FOR FLANGES 7/8" - 2" THICK



**4807**

25/CTN  
79 LBS/100

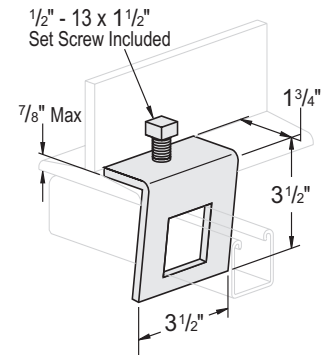
## HEAVY DUTY BEAM CLAMP



**4808**

25/CTN  
90 LBS/100

## ANGULAR WINDOW BEAM CLAMP



**4810**

25/CTN  
99 LBS/100

STANDARD FINISH - EG

EMAIL:  
SALES@MASTERD.US

**MASTER**  
**DISTRIBUTION**  
An AFC Industries Company

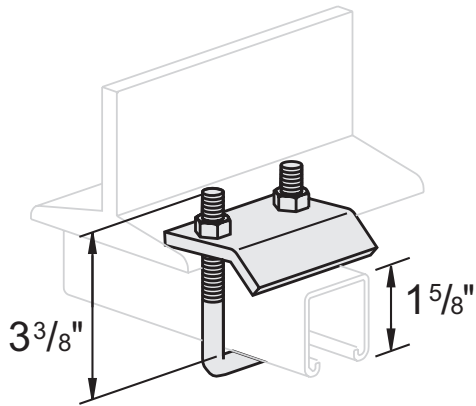
PHONE: 330-220-3600  
FAX: 330-220-3641

**44**

# BEAM CLAMPS

Click on any Part# for additional product details

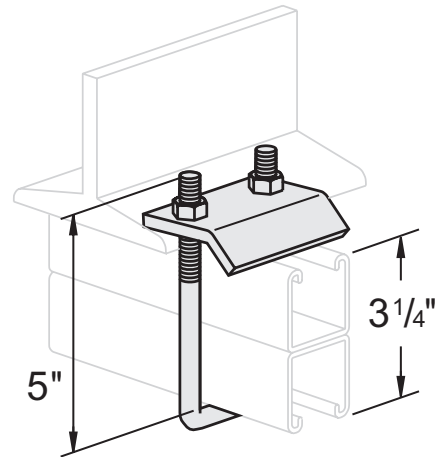
**U-BOLT  
BEAM CLAMP**



**4828**

25/CTN  
69 LBS/100

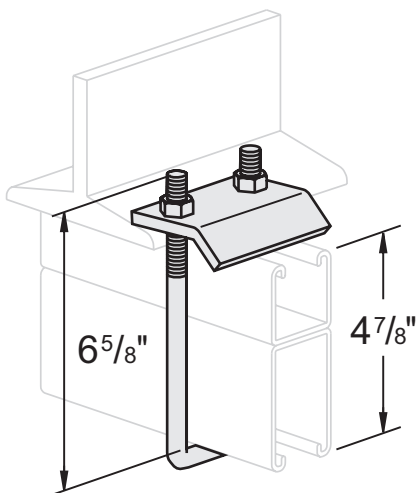
**U-BOLT  
BEAM CLAMP**



**4829**

25/CTN  
78 LBS/100

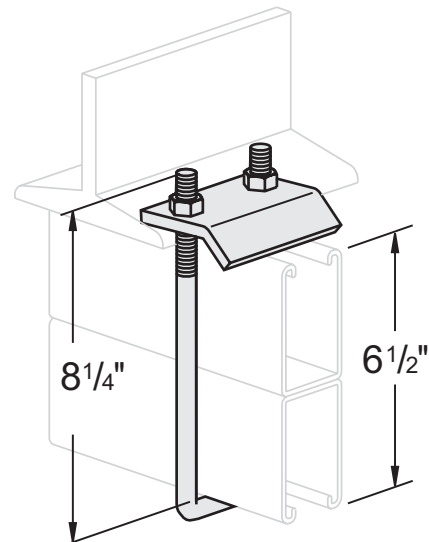
**U-BOLT  
BEAM CLAMP**



**4830**

25/CTN  
81 LBS/100

**U-BOLT  
BEAM CLAMP**



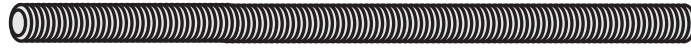
**4831**

25/CTN  
93 LBS/100

STANDARD FINISH - EG

# THREADED ROD

Click on any Part# for additional product details



PART #	SIZE		PCS./TUBE	TUBES/BUNDLE	APPROX. WGT. PER		
					PIECE	TUBE	BUNDLE
TR042006	1/4-20	6'	50	40	0.7	36	1440
TR042010		10'	50	25	1.2	60	1500
TR042012		12'	50	25	1.4	72	1800
TR051806	5/16-18	6'	35	40	1.1	39	1596
TR051810		10'	35	25	1.9	66	1662
TR051812		12'	35	25	2.3	79	1995
TR061606	3/8-16	6'	25	40	1.7	43	1740
TR061610		10'	25	25	2.9	72	1812
TR061612		12'	25	25	3.5	87	2175
TR081306	1/2-13	6'	12	40	3.2	38	1526
TR081310		10'	12	25	5.3	63	1590
TR081312		12'	12	25	6.4	76	1908
TR101106	5/8-11	6'	8	40	5.0	39	1593
TR101110		10'	8	25	8.3	66	1660
TR101112		12'	8	25	10.0	79	1992
TR121006	3/4-10	6'	5	40	7.3	36	1464
TR121010		10'	5	25	12.2	61	1525
TR121012		12'	5	25	14.6	73	1830
TR14906	7/8-9	6'	4	40	9.9	39	1584
TR14910		10'	4	25	16.5	66	1650
TR14912		12'	4	25	19.8	79	1980
TR16806	1-8	6'	2	50	13.3	26	1332
TR16810		10'	2	50	22.2	44	2220
TR16812		12'	2	50	26.6	53	2664
TR18706	1-1/8-7	6'	1	10	16.9	16	168
TR18710		10'	1	10	28.1	28	281
TR18712		12'	1	10	33.7	33	337
TR20706	1-1/4-7	6'	1	10	21.0	21	210
TR20710		10'	1	10	35.0	35	350
TR20712		12'	1	10	42.0	42	420

STANDARD FINISH - EG ALSO AVAILABLE: STAINLESS STEEL, B7, & HOT DIPPED GALVANIZED

EMAIL:  
SALES@MASTERD.US

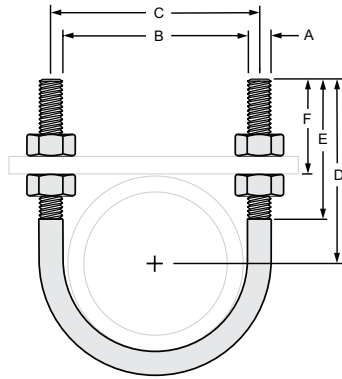
**MASTER**  
**DISTRIBUTION**  
An AFC Industries Company

PHONE: 330-220-3600  
FAX: 330-220-3641

46

# U-BOLTS

Click on any Part# for additional product details



PART #	PIPE SIZE	ROD SIZE A	B	C	D	E	F	CTN. QTY.	WGT/ 100
5718-104	1/2	1/4"	15/16	1-3/16	2-3/4	2-1/8	2-5/16	100	11.0
5718-106	3/4		1-1/8	1-3/8			2-7/32	100	12.0
5718-110	1		1-3/8	1-5/8			2-3/32	100	12.0
5718-112	1-1/4	3/8"	1-11/16	2-1/16	2-7/8	2-1/2	2-1/32	50	28.0
5718-114	1-1/2		2	2-3/8	3		2-1/16	50	30.0
5718-120	2		2-7/16	2-13/16	3-1/4		50	33.0	
5718-124	2-1/2	1/2"	2-15/16	3-7/16	3-3/4	3	2-5/16	25	73.0
5718-130	3		3-9/16	4-1/16	4		25	78.0	
5718-134	3-1/2		4-1/16	4-9/16	4-1/4		2-1/4	25	84.0
5718-140	4		4-9/16	5-1/16	4-1/2		25	90.0	
5718-150	5		5-5/8	6-1/8	5		2-7/32	10	101.0
5718-160	6	5/8"	6-3/4	7-3/8	6-1/8	3-3/4	2-13/16	10	200.0
5718-180	8		8-3/4	9-3/8	7-1/8			10	233.0
5718-1910	10	3/4"	10-7/8	11-5/8	8-3/8	4	3	BULK	491.0
5718-1912	12	7/8"	12-7/8	13-3/4	9-5/8		BULK	773.0	
5718-1914	14		14-1/8	15	10-1/4	4-1/4	3-1/4	BULK	830.0
5718-1916	16		16-1/8	17	11-1/4		BULK	920.0	
5718-1918	18	1"	18-1/8	19-1/8	12-5/8	4-3/4	3-5/8	BULK	1350.0
5718-1920	20		20-1/8	21-1/8	13-5/8			BULK	1460.0
5718-1924	24		24-1/8	25-1/8	15-5/8			BULK	1690.0

STANDARD FINISH - PLAIN ALSO AVAILABLE: EG, STAINLESS STEEL, & HOT DIPPED GALVANIZED



# FASTENERS

Click on any Part# for additional product details

## HEX HEAD BOLTS



PART #	SIZE	WGT/EA
<a href="#">1506</a>	1/4-20 X 3/4 HEX HEAD BOLT - ZP	.01
<a href="#">1508</a>	1/4-20 X 1 HEX HEAD BOLT - ZP	.02
<a href="#">1509</a>	1/4-20 X 1-1/4 HEX HEAD BOLT - ZP	.02
<a href="#">1510</a>	1/4-20 X 1-1/2 HEX HEAD BOLT - ZP	.02
<a href="#">1546</a>	3/8-16 X 3/4 HEX HEAD BOLT - ZP	.03
<a href="#">1548</a>	3/8-16 X 1 HEX HEAD BOLT - ZP	.04
<a href="#">1550</a>	3/8-16 X 1-1/4 HEX HEAD BOLT - ZP	.05
<a href="#">1552</a>	3/8-16 X 1-1/2 HEX HEAD BOLT - ZP	.05
<a href="#">1556</a>	3/8-16 X 2 HEX HEAD BOLT - ZP	.07
<a href="#">BH081316</a>	3/8-16 X 2 HEX HEAD BOLT - ZP	.08
<a href="#">BH081320</a>	1/2-13 X 1-1/4 HEX HEAD BOLT - ZP	.09
<a href="#">BH081324</a>	1/2-13 X 1-1/2 HEX HEAD BOLT - ZP	.11
<a href="#">BH081328</a>	1/2-13 X 1-3/4 HEX HEAD BOLT - ZP	.13
<a href="#">BH081332</a>	1/2-13 X 2 HEX HEAD BOLT - ZP	.13

## HEX NUTS



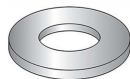
PART #	SIZE	WGT/EA
<a href="#">1324</a>	1/4-20 FINISHED HEX NUT - ZP	.01
<a href="#">1326</a>	3/8-16 FINISHED HEX NUT - ZP	.01
<a href="#">1328</a>	1/2-13 FINISHED HEX NUT - ZP	.04
<a href="#">1330</a>	5/8-11 FINISHED HEX NUT - ZP	.07
<a href="#">1332</a>	3/4-10 FINISHED HEX NUT - ZP	.11

## COUPLING NUTS



PART #	SIZE	WGT/EA
<a href="#">TRC0414</a>	1/4-20 X 3/8 X 7/8 COUPLING NUT - ZP	.02
<a href="#">TRC0618</a>	3/8-16 X 1/2 X 1-1/8 COUPLING NUT - ZP	.04
<a href="#">TRC0628</a>	3/8-16 X 9/16 X 1-3/4 COUPLING NUT - ZP	.08
<a href="#">TRC0820</a>	1/2-13 X 5/8 X 1-1/4 COUPLING NUT - ZP	.06
<a href="#">TRC0828</a>	1/2-13 X 11/16 X 1-3/4 COUPLING NUT - ZP	.11
<a href="#">TRC1034</a>	5/8-11 X 13/16 X 2-1/8 COUPLING NUT - ZP	.18
<a href="#">TRC1236</a>	3/4-10 X 1 X 2-1/4 COUPLING NUT - ZP	.29
<a href="#">TRC1440</a>	7/8-9 X 1-1/4 X 2-1/2 COUPLING NUT - ZP	.56

## FLAT WASHERS



PART #	SIZE	WGT/EA
<a href="#">1404</a>	1/4" FLAT WASHER USS - ZP	.01
<a href="#">1406</a>	3/8" FLAT WASHER USS - ZP	.01
<a href="#">1408</a>	1/2" FLAT WASHER USS - ZP	.03
<a href="#">1410</a>	5/8" FLAT WASHER USS - ZP	.08
<a href="#">1412</a>	3/4" FLAT WASHER USS - ZP	.10

EMAIL:  
SALES@MASTERD.US

**MASTER**  
**DISTRIBUTION**  
An AFC Industries Company

PHONE: 330-220-3600  
FAX: 330-220-3641

48

# INDEX

P/N	PAGE	P/N	PAGE	P/N	PAGE	P/N	PAGE	P/N	PAGE	P/N	PAGE
4101.....	4	4147EZ.....	5	423516.....	5	4367.....	8	440804.....	9	4489.....	11
4102.....	4	4148.....	4	423520.....	5	4368.....	8	440805.....	9	4490.....	11
4103.....	4	4149.....	4	423524.....	5	4369.....	8	440806.....	9	4491.....	11
4104.....	4	4149EZ.....	5	423616.....	5	4370.....	8	440807.....	9	4492.....	11
41045S2.....	4	4150.....	4	423620.....	5	4371.....	8	440808.....	9	4493.....	11
4105.....	4	4162.....	4	423624.....	5	4372.....	8	440809.....	9	4494.....	11
4106.....	4	4163.....	4	4301.....	7	4373.....	8	440810.....	9	4495.....	11
4106S2.....	4	4164.....	4	4302.....	7	4374.....	8	440811.....	9	4595.....	35
4107.....	4	4165.....	4	4303.....	7	4375.....	9	440812.....	9	4596.....	35
4108.....	4	4165S2.....	4	4304.....	7	4376.....	9	440813.....	9	4600.....	12
4109.....	4	4165S2.....	4	4305.....	7	4377.....	9	440814.....	9	4601.....	12
4109S2.....	4	4166.....	4	4306.....	7	4378.....	9	440815.....	9	4602.....	12
4110.....	4	4166S2.....	4	4311.....	7	4379.....	9	4409.....	9	4603.....	12
4111.....	4	4167.....	4	4312.....	7	4380.....	9	4411.....	10	4604.....	12
4112.....	4	4168.....	4	4313.....	7	4381.....	9	4412.....	10	4605.....	12
4115.....	4	4168S2.....	4	4314.....	7	4382.....	9	4413.....	10	4606.....	12
4116.....	4	4169.....	4	4315.....	7	4383.....	9	4414.....	10	4607.....	12
4117.....	4	4170.....	4	4316.....	7	4384.....	9	4415.....	10	4608.....	12
4118.....	4	4171.....	4	4322.....	7	4385.....	9	4416.....	10	4609.....	12
4118S2.....	4	4171S2.....	4	4323.....	7	4386.....	9	4417.....	10	4610.....	12
4118S2.....	4	4172.....	4	4324.....	7	4387.....	9	4418.....	10	4612.....	12
4119.....	4	4172S2.....	4	4325.....	7	4388.....	9	4419.....	10	4614.....	12
4119S2.....	4	4173.....	4	4326.....	7	4389.....	9	4420.....	10	4615.....	12
4120.....	4	4173S2.....	4	4327.....	7	4390.....	9	4421.....	10	4616.....	12
4121.....	4	4174.....	4	4328.....	7	4391.....	9	4422.....	10	4617.....	12
4121S2.....	4	4175.....	4	4329.....	7	4392.....	9	4423.....	10	4618.....	12
4122.....	4	4175S2.....	4	4330.....	7	4393.....	9	4424.....	10	4619.....	13
4123.....	4	4176.....	4	4331.....	7	4394.....	9	4430.....	10	4620.....	13
4124.....	4	4176S2.....	4	4332.....	7	4395.....	9	4431.....	10	4621.....	13
4124S2.....	4	4180.....	5	4333.....	7	4396.....	9	4432.....	10	4622.....	14
4125.....	4	4181.....	5	4334.....	7	4397.....	9	4434.....	10	4623.....	14
4125S2.....	4	4182.....	5	4335.....	7	4398.....	9	4435.....	10	4624.....	12
4126.....	4	4183.....	5	4336.....	7	4399.....	9	4436.....	10	4625.....	13
4126S2.....	4	4184.....	5	4337.....	7	4400.....	9	4437.....	10	4626.....	14
4127.....	4	4185.....	5	4340.....	8	4401.....	9	4438.....	10	4627.....	13
4127S2.....	4	4186.....	5	4341.....	8	4402.....	9	4439.....	10	4628.....	13
4128.....	4	4187.....	5	4342.....	8	4403.....	9	4441.....	10	4629.....	14
4128S2.....	4	41872.....	5	4343.....	8	4404.....	9	4442.....	10	4630.....	14
4130.....	4	41874.....	5	4344.....	8	4405.....	9	4443.....	10	4631.....	14
4131.....	4	4188.....	4	4345.....	8	4406.....	9	4444.....	10	4633.....	14
4132.....	4	4190.....	4	4346.....	8	4407.....	9	4445.....	10	4641.....	15
4133.....	4	4191.....	4	4347.....	8	440701.....	9	4446.....	10	4642.....	15
4133S2.....	4	4192.....	4	4348.....	8	440702.....	9	4447.....	10	4643.....	15
4133S2.....	4	4193.....	4	4349.....	8	440703.....	9	4448.....	10	4645.....	15
4134.....	4	4195.....	4	4350.....	8	440704.....	9	4449.....	10	4646.....	15
4134S2.....	4	4196.....	4	4351.....	8	440705.....	9	4450.....	10	4647.....	15
4135.....	4	4197.....	4	4352.....	8	440706.....	9	4451.....	10	4648.....	15
4136.....	4	4198.....	4	4353.....	8	440707.....	9	4452.....	10	4649.....	15
4136S2.....	4	4199.....	4	4354.....	8	440708.....	9	4453.....	10	4650.....	16
4137.....	4	4202.....	4	4355.....	8	440709.....	9	4454.....	10	4651.....	16
4138.....	4	4203.....	4	4356.....	8	440710.....	9	4455.....	10	4652.....	15
4139.....	4	4204.....	4	4357.....	8	440711.....	9	4456.....	10	4653.....	16
4139S2.....	4	4205.....	4	4358.....	8	440712.....	9	4458.....	10	4654.....	16
4140.....	4	4208.....	4	4359.....	8	440713.....	9	4481.....	11	4655L.....	16
4142.....	4	4209.....	4	4360.....	8	440714.....	9	4482.....	11	4655R.....	16
4143.....	4	4210.....	4	4361.....	8	440715.....	9	4483.....	11	4657.....	16
4144.....	4	4211.....	4	4362.....	8	440716.....	9	4484.....	11	4658.....	17
4145.....	4	4212.....	4	4363.....	8	4408.....	9	4485.....	11	4659.....	17
4145EZ.....	5	423416.....	5	4364.....	8	440801.....	9	4486.....	11	4660.....	17
4146.....	4	423420.....	5	4365.....	8	440802.....	9	4487.....	11	4661.....	17
4147.....	4	423424.....	5	4366.....	8	440803.....	9	4488.....	11	4662.....	17

# INDEX

P/N	PAGE	P/N	PAGE	P/N	PAGE	P/N	PAGE	P/N	PAGE
4663.....	17	47296.....	23	478506L.....	31	479636.....	34	486313.....	41
4664.....	17	4730.....	23	478506R.....	31	4803.....	44	486314.....	41
4665L.....	16	4736L.....	24	478508L.....	31	4804.....	44	4866L.....	41
4665R.....	16	4736R.....	24	478508R.....	31	4805.....	44	4866R.....	41
4666L.....	17	4737L.....	25	478510L.....	31	4806.....	44	4867.....	41
4666R.....	17	4737R.....	25	478510R.....	31	4807.....	44	4869.....	37
467615.....	18	4738.....	26	478512L.....	31	4808.....	44	4870.....	37
467630.....	18	4739.....	26	478512R.....	31	4809.....	44	4871.....	37
467645.....	18	4740.....	24	478514L.....	31	4810.....	44	4872.....	37
467660.....	18	4741L.....	25	478514R.....	31	4815.....	43	4873.....	37
467745.....	18	4741R.....	25	478516L.....	31	4816.....	43	4880-3.....	39
467760.....	18	4742L.....	25	478516R.....	31	4817.....	43	4890.....	39
467845.....	18	4742R.....	25	478518L.....	31	4818.....	43	4891.....	39
467860.....	18	4743.....	26	478518R.....	31	4819.....	43	4892.....	39
467915.....	18	4744.....	26	478520L.....	31	4820.....	43	4893.....	39
467930.....	18	4745.....	26	478520R.....	31	4821.....	43	4894.....	39
467945.....	18	4746.....	26	478522L.....	31	48213.....	43	4895.....	38
467960.....	18	4747.....	26	478522R.....	31	4822.....	43	4896.....	38
467967.....	18	4748.....	26	478524L.....	31	4823.....	43	4897.....	38
467975.....	18	4749.....	26	478524R.....	31	4824.....	43	4898.....	38
4681.....	19	4750L.....	27	478526L.....	31	4825.....	43	4899.....	38
46823.....	19	4750R.....	27	478526R.....	31	4826.....	43	4900.....	38
46824.....	19	4751.....	27	478528L.....	31	4828.....	45	4901.....	38
46825.....	19	4752.....	27	478528R.....	31	4829.....	45	4902.....	38
46826.....	19	4753.....	27	478530L.....	31	4830.....	45	4905.....	40
4683.....	19	4754.....	27	478530R.....	31	4831.....	45	4906.....	40
4684.....	19	4755L.....	24	478606.....	32	4841.....	35	4907.....	40
4685.....	19	4755R.....	24	478612.....	32	4842.....	35	4908.....	40
4696.....	20	4756L.....	25	478618.....	32	4843.....	35	4910.....	40
4697.....	20	4756R.....	25	478624.....	32	4844.....	35	4911.....	40
4698.....	20	4757.....	24	478706.....	32	4845.....	35	4912.....	40
4699.....	20	4766.....	29	478712.....	32	4853F.....	35	4930.....	5
4700.....	20	4767.....	28	478806.....	32	4853FF.....	35	5103.....	42
4701.....	20	4768.....	28	478812.....	32	4853M.....	35	5104.....	42
4702.....	20	4769.....	28	478918.....	32	4853MF.....	35	5105.....	42
4703.....	20	4770.....	28	478924.....	32	4854F.....	35	5106.....	42
4704.....	20	4771.....	28	479006.....	33	4854FF.....	35	5107.....	42
47046.....	21	4772.....	28	479012.....	33	4854M.....	35	5113.....	42
4705.....	21	4773.....	28	479018.....	33	4854MF.....	35	5114.....	42
4706.....	21	4774.....	28	479024.....	33	4857.....	5	5115.....	42
4707.....	21	4775.....	29	479112.....	33	4858.....	36	5116.....	42
47084-5.....	21	4776.....	29	479118.....	33	485903.....	36	5130.....	42
47092.....	21	4777.....	29	479124.....	33	485904.....	36	5203.....	43
47093.....	21	4778.....	29	479130.....	33	485906.....	36	5204.....	43
47095.....	21	478136.....	30	479136.....	33	485908.....	36	5205.....	43
47096.....	21	478142.....	30	479142.....	33	485910.....	36	5206.....	43
47097.....	21	478148.....	30	479224.....	33	485912.....	36	5207.....	43
47102.....	23	478154.....	30	479230.....	33	4860.....	36	5213.....	43
4713.....	22	478160.....	30	479236.....	33	4861.....	36	5214.....	43
4714.....	22	478172.....	30	479242.....	33	486301.....	41	5215.....	43
4715.....	22	478312.....	30	479248.....	33	486302.....	41	5216.....	43
4716.....	22	478316.....	30	479306.....	33	486303.....	41	5718-104 THRU	
4717.....	22	478318.....	30	479312.....	33	486304.....	41	5718-1924.....	47
4718.....	22	478324.....	30	479318.....	33	486305.....	41	5780.....	11
4721.....	23	478408.....	31	479324.....	33	486306.....	41	5781.....	11
4722.....	23	478410.....	31	4794.....	34	486307.....	41	TR042006-	
4723.....	23	478412.....	31	4795.....	34	486308.....	41	TR20712.....	46
4724.....	23	478414.....	31	479612.....	34	486309.....	41		
4725.....	23	478416.....	31	479618.....	34	486310.....	41		
4726.....	23	478418.....	31	479624.....	34	486311.....	41		
4727.....	23	478420.....	31	479630.....	34	486312.....	41		